

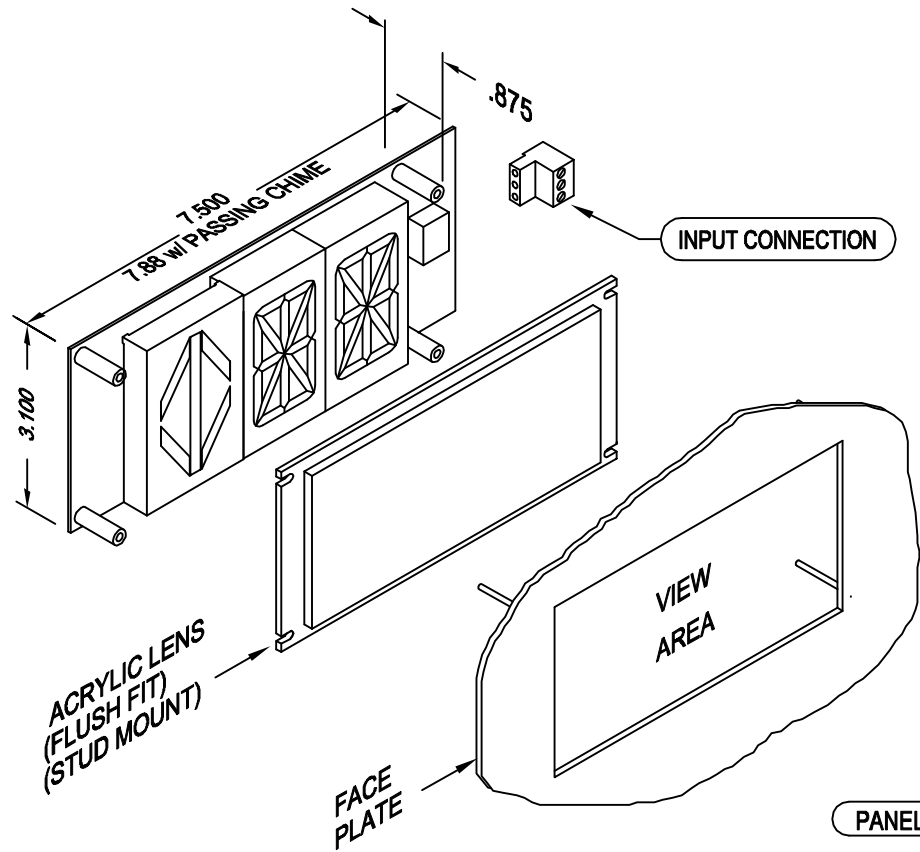


C.E. Electronics, Inc.  
 2107 Industrial Drive  
 Bryan, OH 43506  
 PH (419) 636-6705 FX (419) 636-2516  
 www.ceelectronics.com

# MH222-XXX

Ver. 8 Rel. 4/7/2022

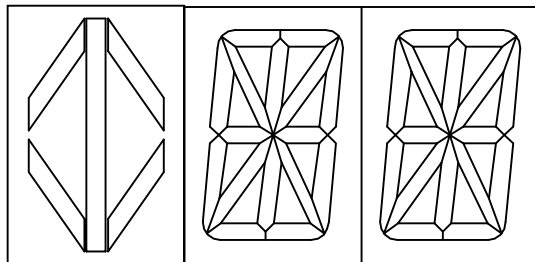
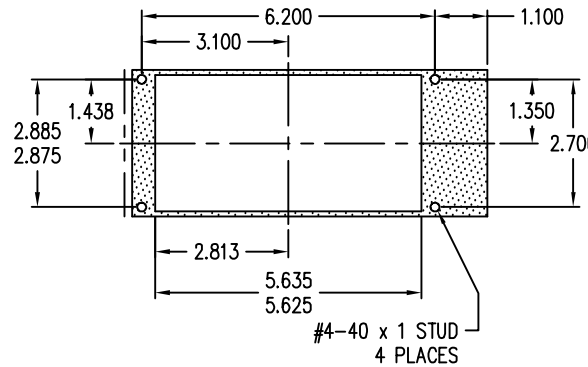
MICRO COMM<sup>®</sup>  
 DISPLAYS



### RENEWAL PARTS

- Lens: 104-5602M RED
- Lens: 104-6002M GRAY
- Lens: 104-9002 BLUE

### PANEL PREPARATION



2.2 INCH CHARACTERS  
 2.5 INCH ARROW

### NOTE:

1. This is not a stand alone unit. Must be used in conjunction with a Micro Comm interface.

### REMOTE DISPLAY INDICATOR "RDI"

Segmented LED, digital indicator for floor position display, as well as car direction. Any alphanumeric character can be displayed in either single or double digit floor designations.

### Typical Applications:

- Car-OP Panel
- Transom-car or Hall
- Surface mount fixtures

### Features:

- Ultra-thin package
- Fast, 3-wire hookup
- Latched inputs
- Cross wire protected
- Self testing
- Alternate message
- Passing chime output
- Error detection and correction feature

TO ORDER - SPECIFY MH222 - X X X

### COLOR:

- "RR" = RED CHARACTER, RED ARROW
- "GR" = GREEN CHARACTER, RED ARROW
- "GG" = GREEN CHARACTER, GREEN ARROW
- "RG" = RED CHARACTER, GREEN ARROW
- "BB" = BLUE CHARACTER, BLUE ARROW
- "WW" = WHITE CHARACTER, WHITE ARROW

### LENS:

- "R" = RED
- "G" = GRAY
- "B" = BLUE
- "X" = NO LENS