

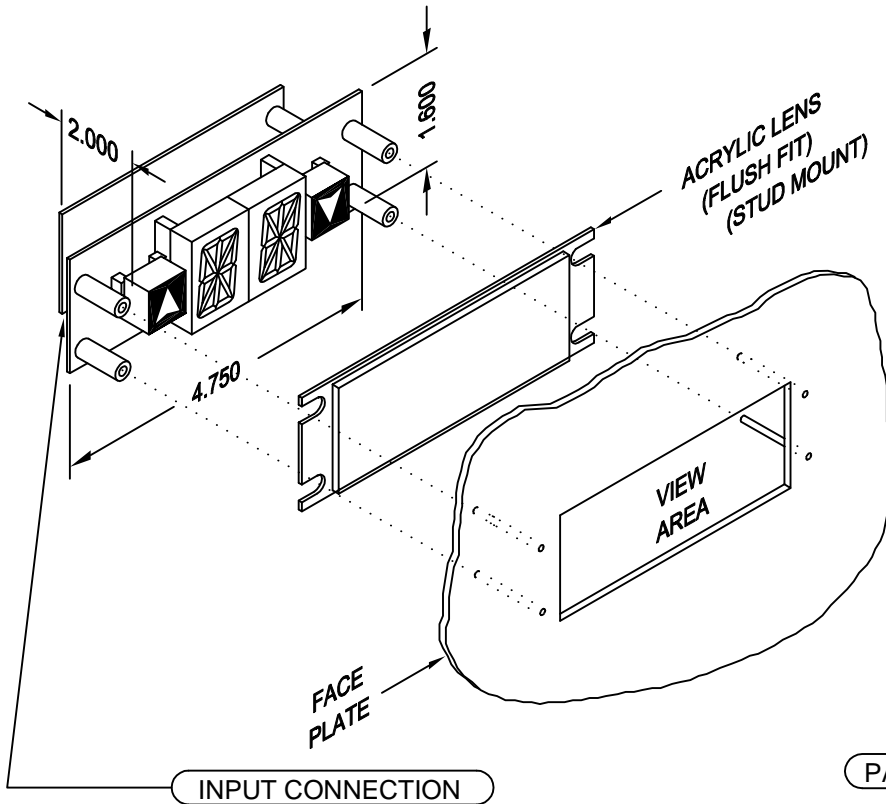


C.E. Electronics, Inc.
 2107 Industrial Drive
 Bryan, OH 43506
 PH (419) 636-6705 FX (419) 636-2516
 www.ccelectronics.com

MH210-XXX

Ver. 7 Rel. 10/26/2016

MICRO COMM[®]
 DISPLAYS



REMOTE DISPLAY INDICATOR "RDI"

Segmented LED, digital indicator for floor position display. Any alphanumeric character can be displayed in single digit floor designations.

Typical Applications

- Car-OP Panel
- Transom-car or Hall

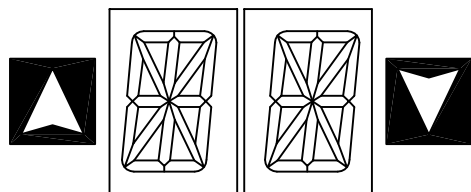
Features

- Fast, 3-wire hookup
- Latched inputs
- Cross wire protected
- Self testing
- Alternate message
- Passing chime output
- Error detection and correction feature

RENEWAL PARTS

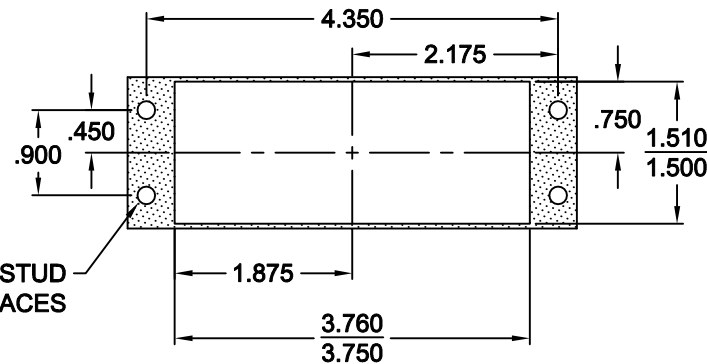
- Lens: 104-5607 RED
- Lens: 104-6007 GRAY
- Lens: 104-9007 BLUE

PANEL PREPARATION



1 INCH CHARACTER

#4-40 x 1-1/2 STUD
 4 PLACES



TO ORDER - SPECIFY MH210 - X X X

COLOR:

- "RR" = RED w/RED ARROWS
- "AR" = AMBER w/RED ARROWS
- "GR" = GREEN w/RED ARROWS
- "BR" = BLUE w/RED ARROWS
- "WR" = WHITE w/RED ARROWS
- "GG" = GREEN w/GREEN ARROWS
- "BB" = BLUE w/BLUE ARROWS
- "WW" = WHITE w/WHITE ARROWS

LENS:

- "R" = RED
- "G" = GRAY
- "B" = BLUE
- "X" = NO LENS

NOTE:

1. This is not a stand alone unit. Must be used in conjunction with a Micro Comm interface.