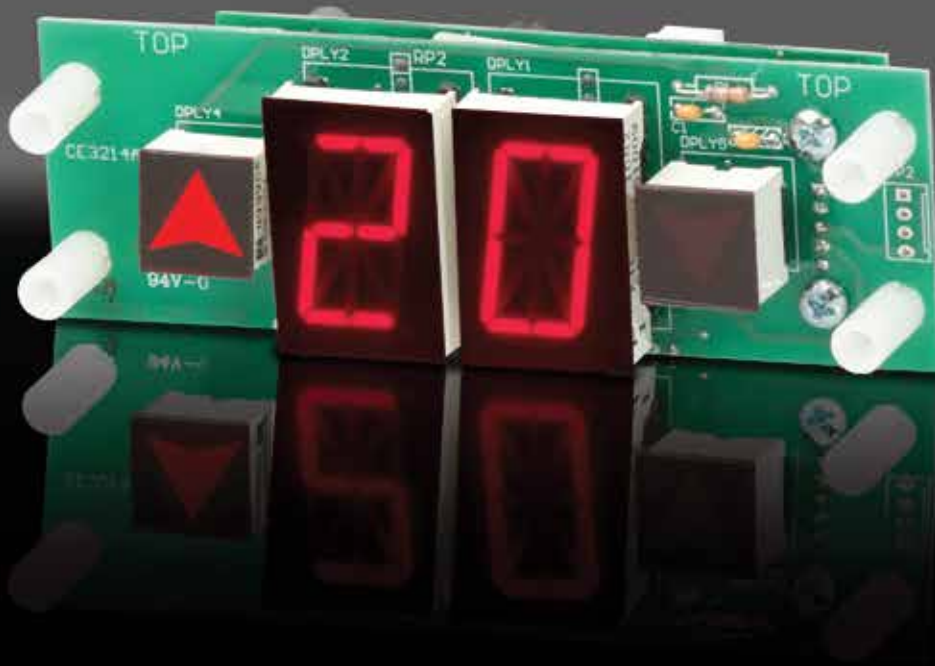




MH210-XX

REMOTE DISPLAY INDICATOR "RDI"



MICRO COMM

1" CHARACTERS

Segmented LED, digital indicator for floor position display, as well as car direction. Any alphanumeric character can be displayed in either single or double digit floor designations.

TYPICAL APPLICATIONS:

- > Car-OP Panel
- > Transom-car or Hall

FEATURES:

- > Fast, 3-wire hookup
- > Latched inputs
- > Cross wire protected
- > Self Testing
- > Alternate message
- > Passing chime output
- > Error detection and correction feature



C.E. Electronics, Inc. (US) 2107 Industrial Drive, Bryan, Ohio 43506 p: 419.636.6705 www.cееlectronics.com

C.E. Electronics, Ltd. (UK) P.O. Box 1679 Marlow, Bucks SL7 3ZG, UK p: +44 (0) 1628 487633 www.cееlectronics.co.uk

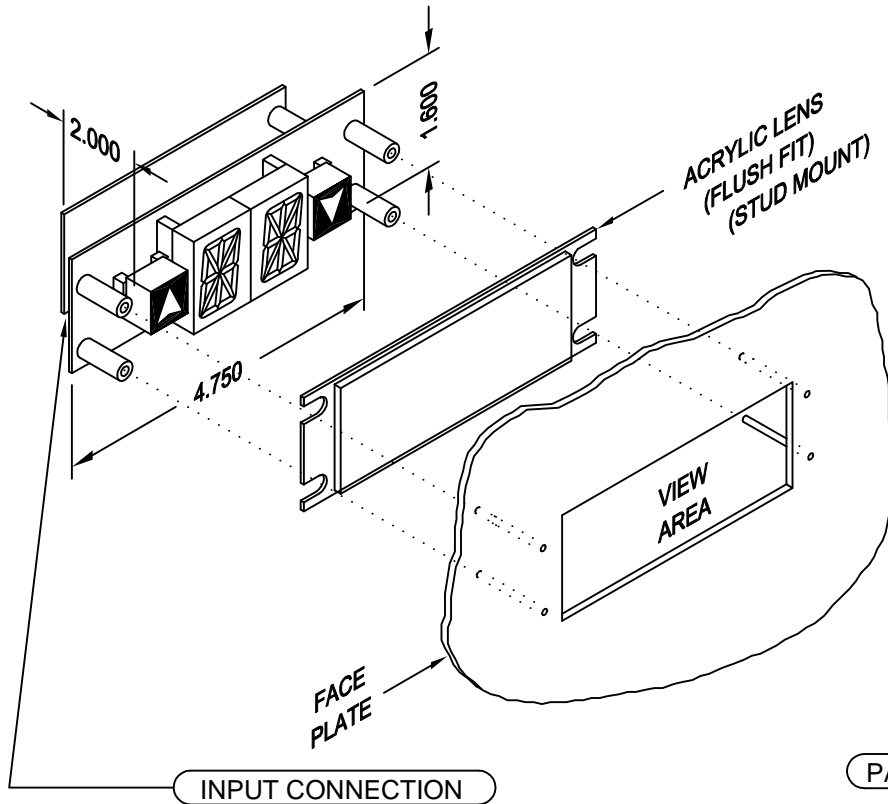


C.E. Electronics, Inc.
 2107 Industrial Drive
 Bryan, OH 43506
 PH (419) 636-6705 FX (419) 636-2516
 www.ceelectronics.com

MH210-XXX

Ver. 7 Rel. 10/26/2016

MICRO COMM[®]
 DISPLAYS



REMOTE DISPLAY INDICATOR "RDI"

Segmented LED, digital indicator for floor position display. Any alphanumeric character can be displayed in single digit floor designations.

Typical Applications

- Car-OP Panel
- Transom-car or Hall

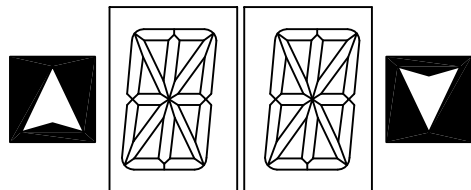
Features

- Fast, 3-wire hookup
- Latched inputs
- Cross wire protected
- Self testing
- Alternate message
- Passing chime output
- Error detection and correction feature

RENEWAL PARTS

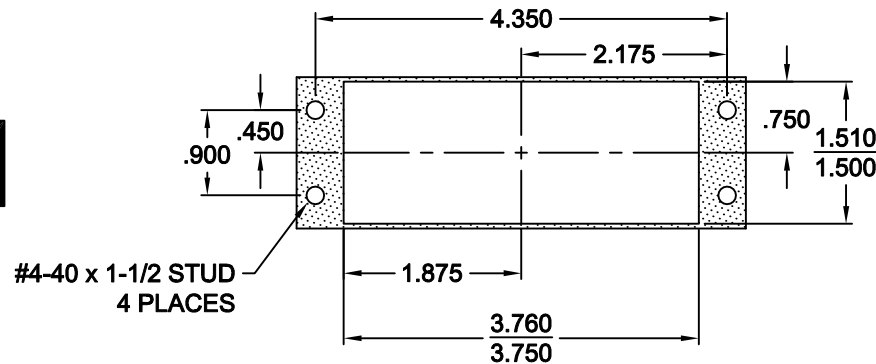
- Lens: 104-5607 RED
- Lens: 104-6007 GRAY
- Lens: 104-9007 BLUE

INPUT CONNECTION



1 INCH CHARACTER

PANEL PREPARATION



#4-40 x 1-1/2 STUD
 4 PLACES

TO ORDER - SPECIFY MH210 - X X X

COLOR:

- "RR" = RED w/RED ARROWS
- "AR" = AMBER w/RED ARROWS
- "GR" = GREEN w/RED ARROWS
- "BR" = BLUE w/RED ARROWS
- "WR" = WHITE w/RED ARROWS
- "GG" = GREEN w/GREEN ARROWS
- "BB" = BLUE w/BLUE ARROWS
- "WW" = WHITE w/WHITE ARROWS

LENS:

- "R" = RED
- "G" = GRAY
- "B" = BLUE
- "X" = NO LENS

NOTE:

1. This is not a stand alone unit. Must be used in conjunction with a Micro Comm interface.