

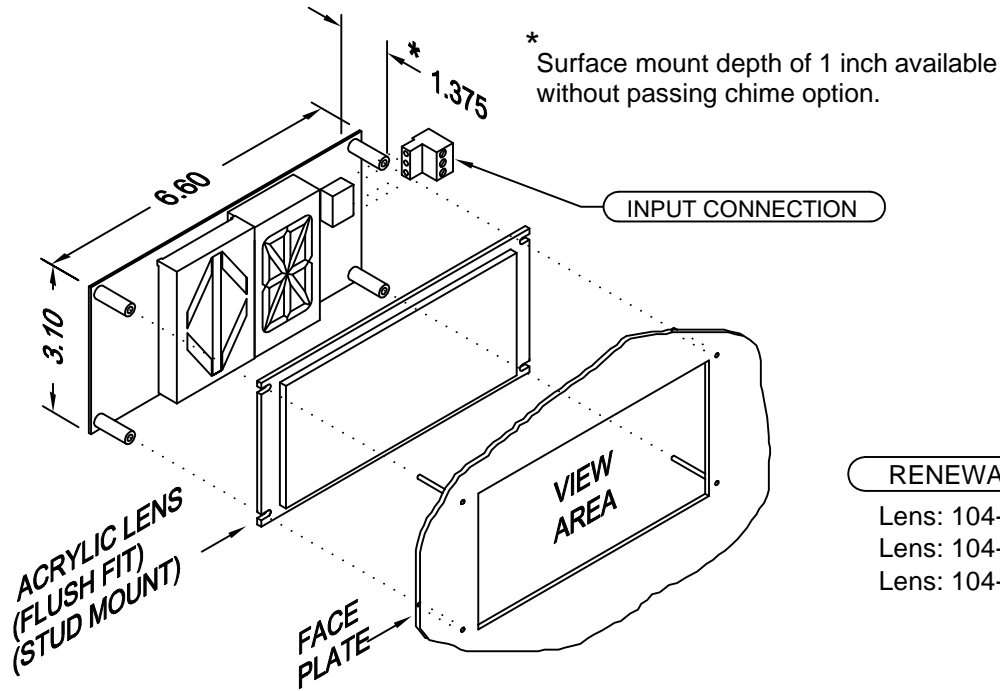


C.E. Electronics, Inc.  
 2107 Industrial Drive  
 Bryan, OH 43506  
 PH (419) 636-6705 FX (419) 636-2516  
 www.ceelectronics.com

# MH122A-XXX

Ver. 6 Rel. 10/26/2016

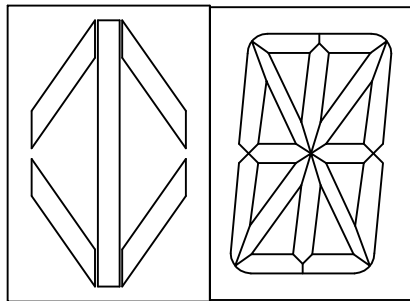
MICRO COMM<sup>®</sup>  
 DISPLAYS



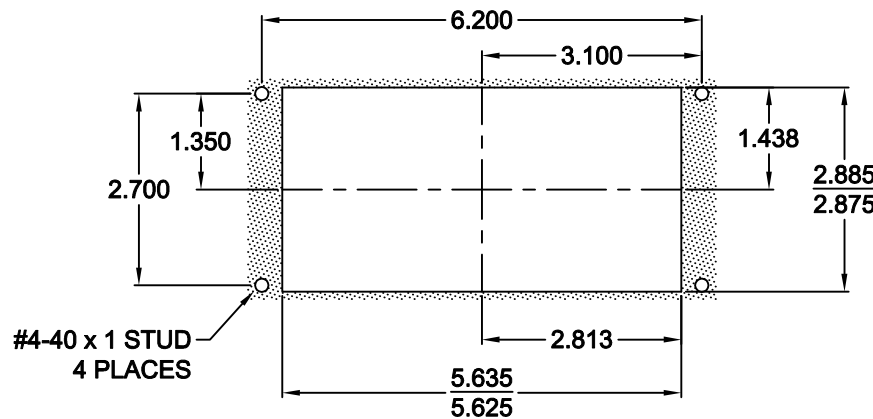
### RENEWAL PARTS

- Lens: 104-5602M RED
- Lens: 104-6002M GRAY
- Lens: 104-9002 BLUE

### PANEL PREPARATION



2.2 INCH CHARACTER  
 2.5 INCH ARROW



### REMOTE DISPLAY INDICATOR "RDI"

Segmented LED, digital indicator for floor position display, as well as car direction. Any alphanumeric character can be displayed.

### Typical Applications

- Car-OP Panel
- Transom-car or Hall
- Surface mount fixtures

### Features

- Ultra-thin package
- Fast, 3-wire hookup
- Latched inputs
- Cross wire protected
- Self testing
- Alternate message
- Passing chime output
- Error detection and correction feature

TO ORDER - SPECIFY MH122A - XXX

### COLOR:

- "RR" = RED CHARACTER, RED ARROW
- "GR" = GREEN CHARACTER, RED ARROW
- "GG" = GREEN CHARACTER, GREEN ARROW
- "RG" = RED CHARACTER, GREEN ARROW
- "BB" = BLUE CHARACTER, BLUE ARROW
- "WW" = WHITE CHARACTER, WHITE ARROW

### LENS:

- "R" = RED
- "G" = GRAY
- "B" = BLUE
- "X" = NO LENS

### NOTE:

1. This is not a stand alone unit. Must be used in conjunction with a Micro Comm interface.