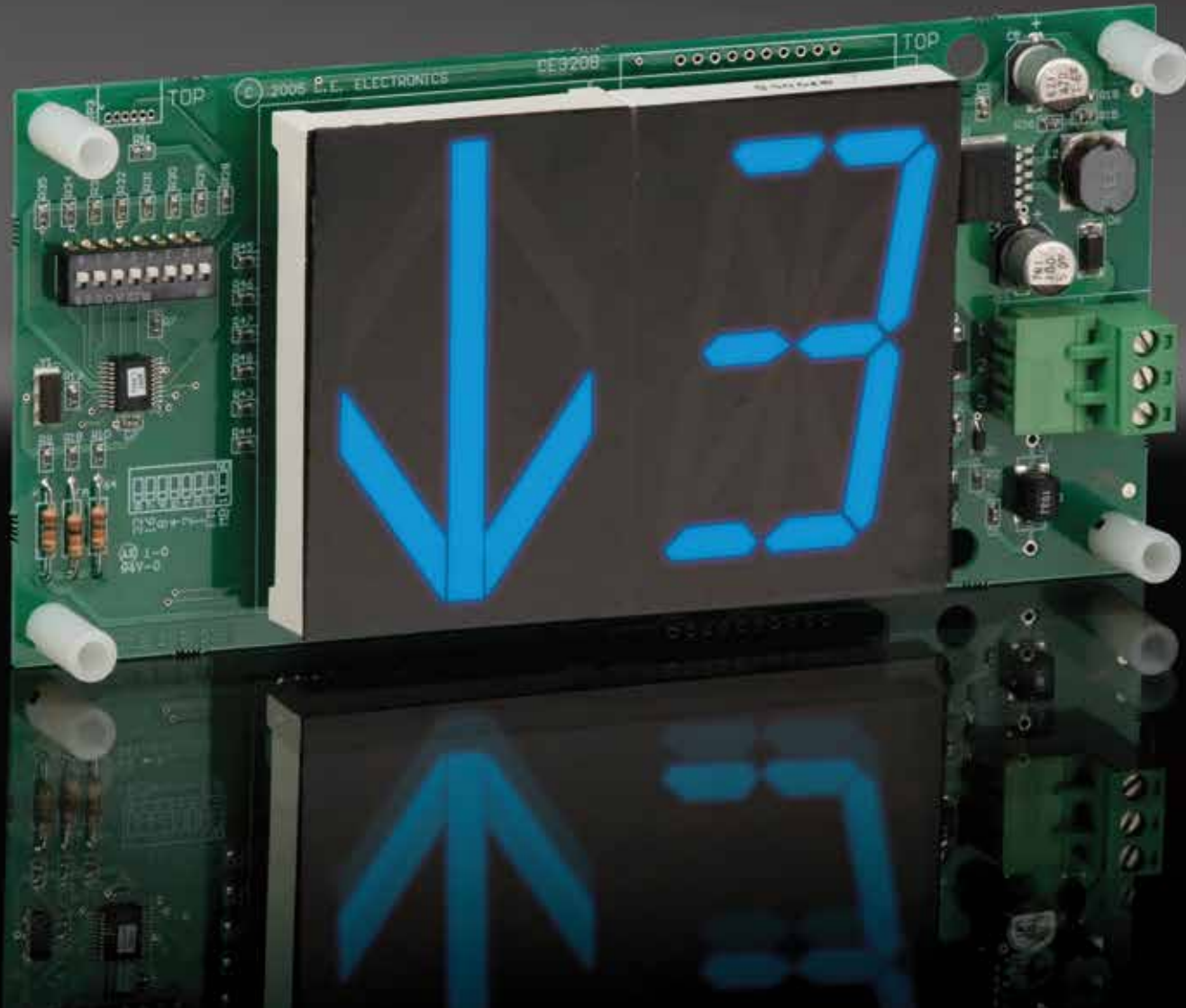




# MH122A-XXX

2.2" CHARACTER | 2.5" ARROW



## MICRO COMM

REMOTE DISPLAY INDICATOR "RDI"

Segmented LED, digital indicator for floor position display, as well as car direction. Any alphanumeric character can be displayed.

### TYPICAL APPLICATIONS:

- > Car-OP panel
- > Transom-car or Hall
- > Surface mount fixtures

### FEATURES:

- > Ultra-thin package
- > Fast, 3-wire hookup
- > Latched inputs
- > Cross wire protected
- > Self testing
- > Alternate message
- > Passing chime output
- > Error detection & correction feature

### METAL:

- > 70100006
- > 70100007



**C.E. Electronics, Inc. (US)** 2107 Industrial Drive, Bryan, Ohio 43506 p: 419.636.6705 [www.creelectronics.com](http://www.creelectronics.com)

**C.E. Electronics, Ltd. (UK)** P.O. Box 1679 Marlow, Bucks SL7 3ZG, UK p: +44 (0) 1628 487633 [www.creelectronics.co.uk](http://www.creelectronics.co.uk)

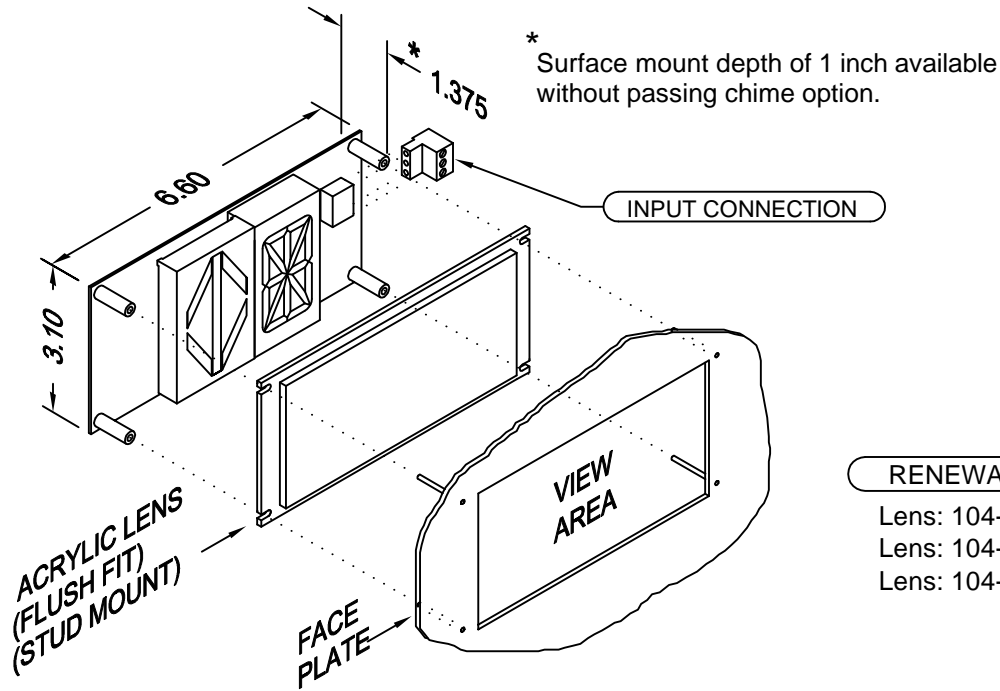


C.E. Electronics, Inc.  
 2107 Industrial Drive  
 Bryan, OH 43506  
 PH (419) 636-6705 FX (419) 636-2516  
 www.ceelectronics.com

# MH122A-XXX

Ver. 6 Rel. 10/26/2016

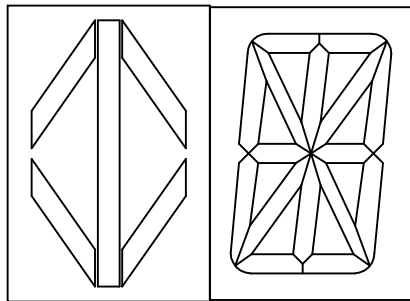
MICRO COMM<sup>®</sup>  
 DISPLAYS



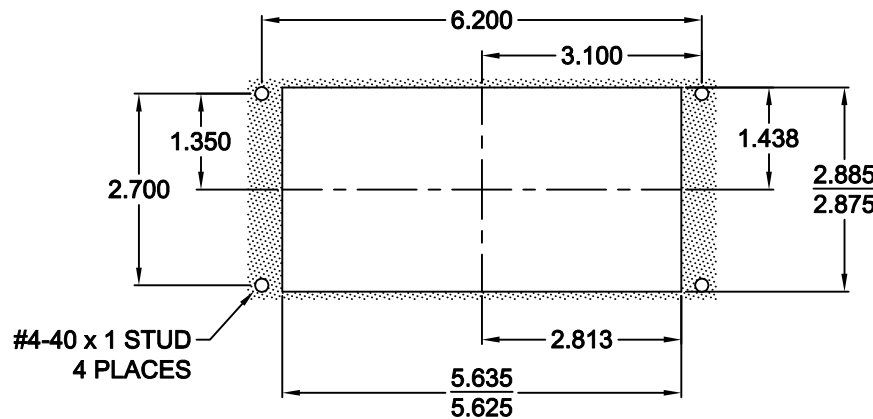
### RENEWAL PARTS

- Lens: 104-5602M RED
- Lens: 104-6002M GRAY
- Lens: 104-9002 BLUE

### PANEL PREPARATION



2.2 INCH CHARACTER  
 2.5 INCH ARROW



### REMOTE DISPLAY INDICATOR "RDI"

Segmented LED, digital indicator for floor position display, as well as car direction. Any alphanumeric character can be displayed.

### Typical Applications

- Car-OP Panel
- Transom-car or Hall
- Surface mount fixtures

### Features

- Ultra-thin package
- Fast, 3-wire hookup
- Latched inputs
- Cross wire protected
- Self testing
- Alternate message
- Passing chime output
- Error detection and correction feature

TO ORDER - SPECIFY MH122A - XXX

### COLOR:

- "RR" = RED CHARACTER, RED ARROW
- "GR" = GREEN CHARACTER, RED ARROW
- "GG" = GREEN CHARACTER, GREEN ARROW
- "RG" = RED CHARACTER, GREEN ARROW
- "BB" = BLUE CHARACTER, BLUE ARROW
- "WW" = WHITE CHARACTER, WHITE ARROW

### LENS:

- "R" = RED
- "G" = GRAY
- "B" = BLUE
- "X" = NO LENS

### NOTE:

1. This is not a stand alone unit. Must be used in conjunction with a Micro Comm interface.

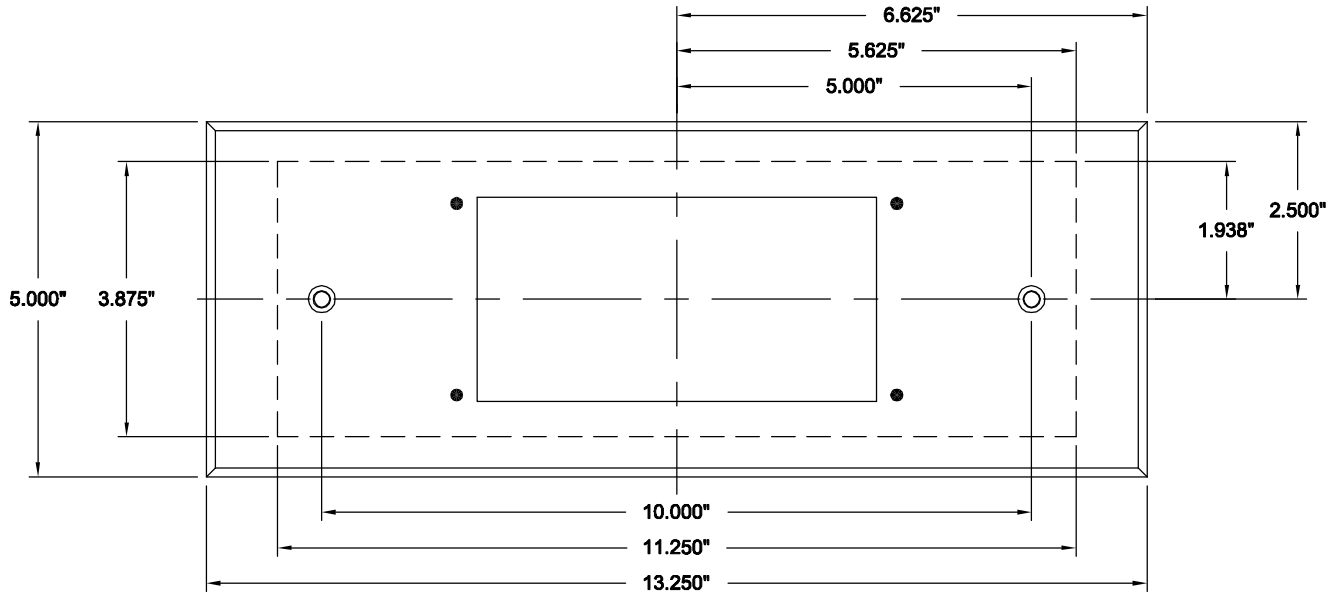


C.E. Electronics, Inc.  
 2107 Industrial Drive  
 Bryan, OH 43506  
 PH (419) 636-6705 FX (419) 636-2516  
 www.ceelectronics.com

# 70100006

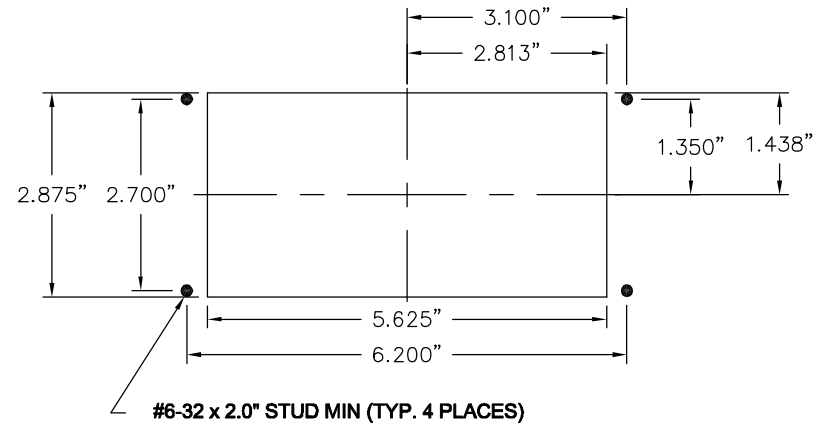
Ver. 1 Rel. 06/06/02

**METAL**



**COVERPLATE for MH222-XXX**

## DETAIL



### NOTES:

- #4 STAINLESS STEEL, .125"
- HORIZONTAL GRAIN
- BEVELED EDGES - APPROXIMATELY 15°
- BOX REQUIRED, 3.5" DEEP
- COUNTERSINK MOUNTING HOLES FOR #10-32 TAMPERPROOF SCREW



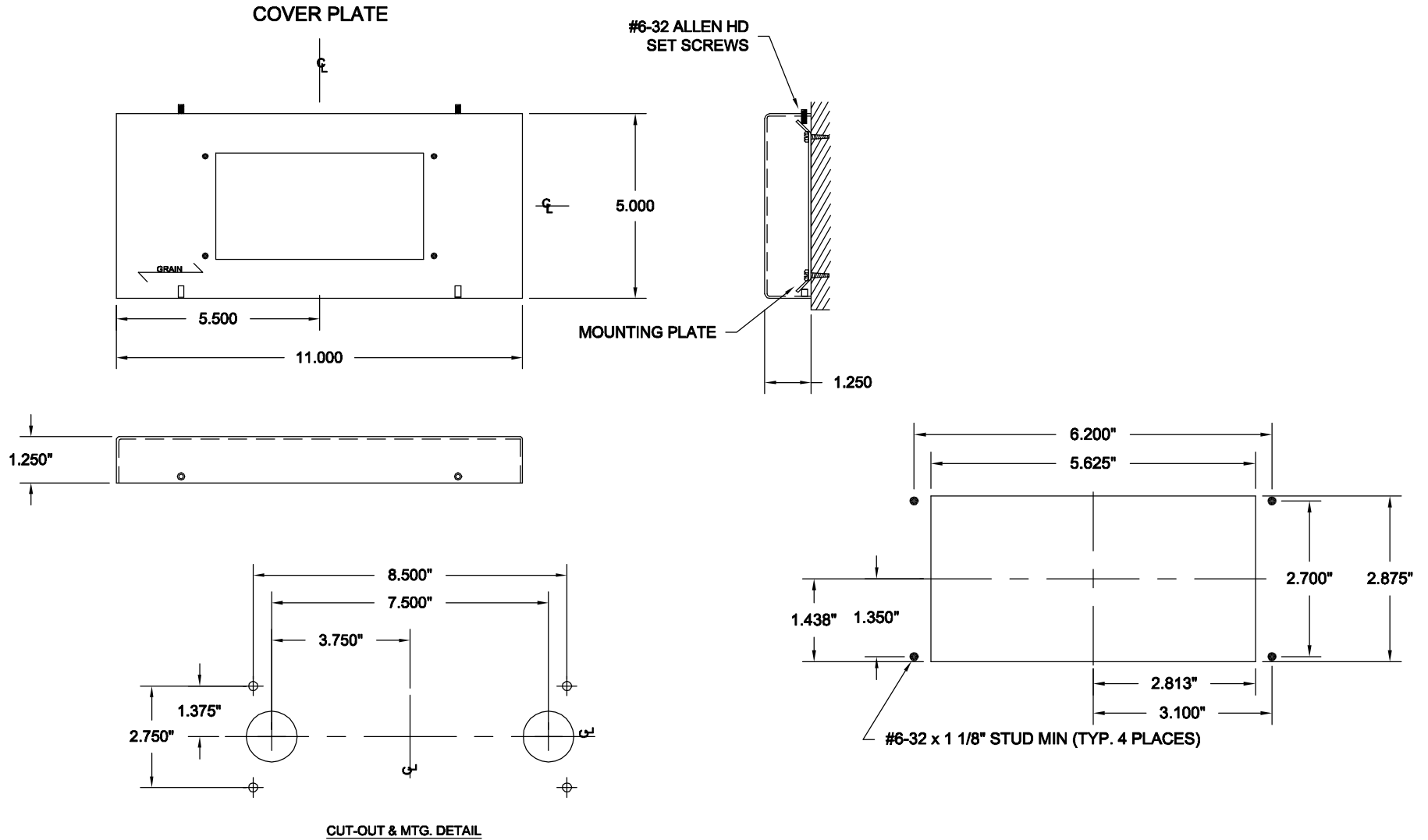
C.E. Electronics, Inc.  
 2107 Industrial Drive  
 Bryan, OH 43506  
 PH (419) 636-6705 FX (419) 636-2516  
 www.ccelectronics.com

# 70100007

Ver. 1 Rel. 06/19/02

**METAL**

## SM SS4 COVER & BOX MH222-2A



**NOTES:**

#4 STAINLESS STEEL, PAN TYPE COVER, 16 GAGE .060  
 HORIZONTAL GRAIN  
 BACK PLATE INCLUDED