

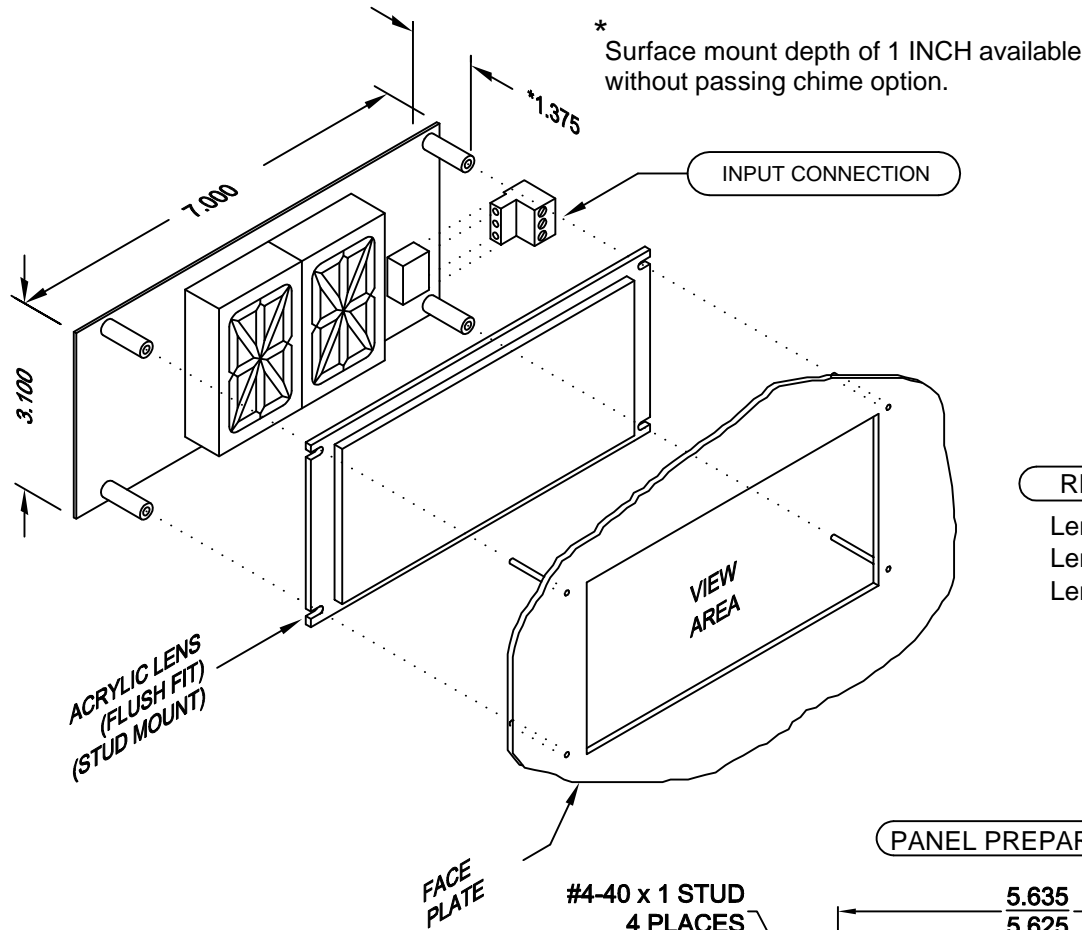


C.E. Electronics, Inc.  
 2107 Industrial Drive  
 Bryan, OH 43506  
 PH (419) 636-6705 FX (419) 636-2516  
 www.ceelectronics.com

# MH122-XX

Ver. 7 Rel. 10/27/2016

**MICRO COMM<sup>®</sup>**  
 DISPLAYS



## REMOTE DISPLAY INDICATOR "RDI"

Segmented LED, digital indicator for floor position display. Any alphanumeric character can be displayed in either single or double digit floor designations.

### Typical Applications:

- Car-OP Panel
- Transom-car or Hall
- Surface mount fixtures

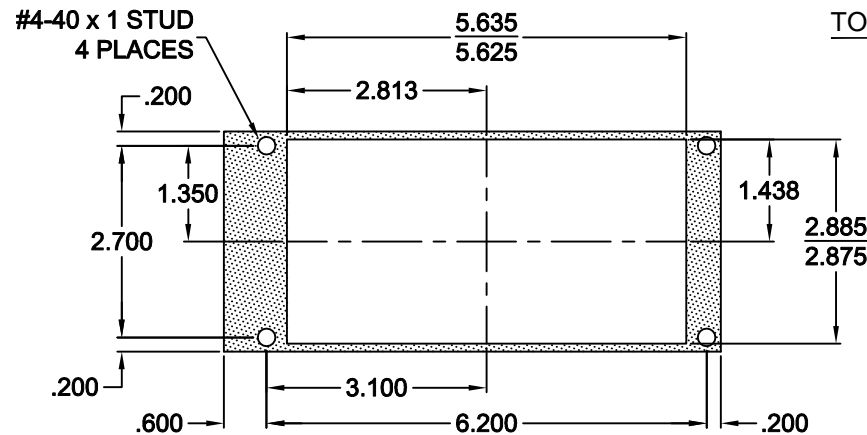
### RENEWAL PARTS

- Lens: 104-5602M RED
- Lens: 104-6002M GRAY
- Lens: 104-9002 BLUE

### Features:

- Ultra-thin package
- Fast, 3-wire hookup
- Latched inputs
- Cross wire protected
- Self testing
- Alternate message
- Passing chime output
- Error detection and correction feature

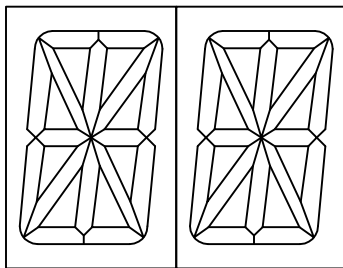
### PANEL PREPARATION



### TO ORDER - SPECIFY MH122 - X X

COLOR:  
 "R" = RED  
 "G" = GREEN  
 "B" = BLUE  
 "W" = WHITE

LENS:  
 "R" = RED  
 "G" = GRAY  
 "B" = BLUE  
 "X" = NO LENS



NOTE: 2.2 INCH CHARACTERS

1. This is not a stand alone unit. Must be used in conjunction with a Micro Comm interface.