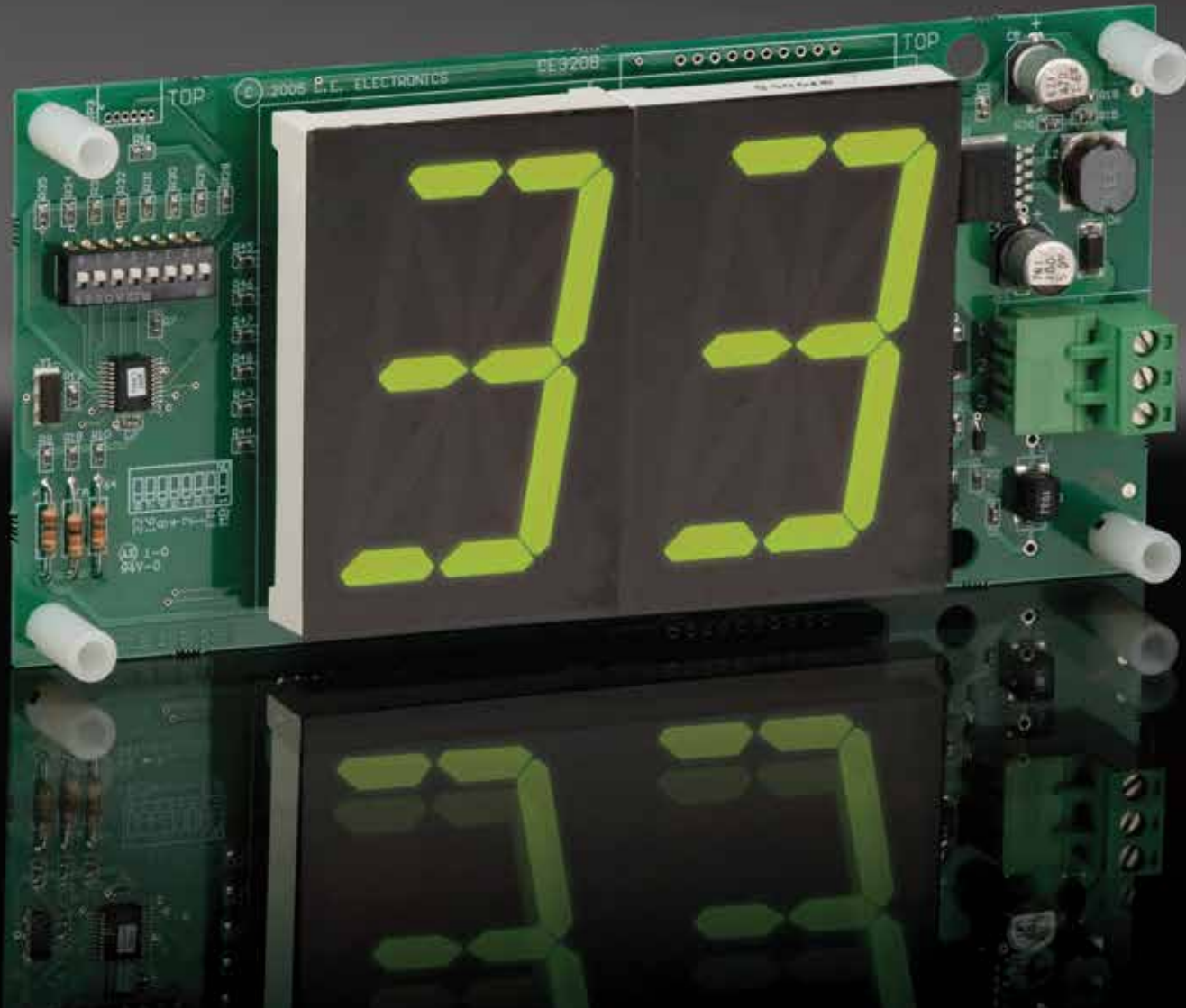


MH122-XX

2.2" CHARACTERS



MICRO COMM

REMOTE DISPLAY INDICATOR "RDI"

Segmented LED, digital indicator for floor position display, as well as car direction. Any alphanumeric character can be displayed in either single or double digit floor designations.

TYPICAL APPLICATIONS:

- > Car-OP panel
- > Transom-car or Hall
- > Surface mount fixtures

FEATURES:

- > Ultra-thin package
- > Fast, 3-wire hookup
- > Latched inputs
- > Cross wire protected
- > Self testing
- > Alternate message
- > Passing chime output
- > Error detection & correction feature

METAL:

- > 70100006
- > 70100007



C.E. Electronics, Inc. (US) 2107 Industrial Drive, Bryan, Ohio 43506 p: 419.636.6705 www.cееlectronics.com

C.E. Electronics, Ltd. (UK) P.O. Box 1679 Marlow, Bucks SL7 3ZG, UK p: +44 (0) 1628 487633 www.cееlectronics.co.uk

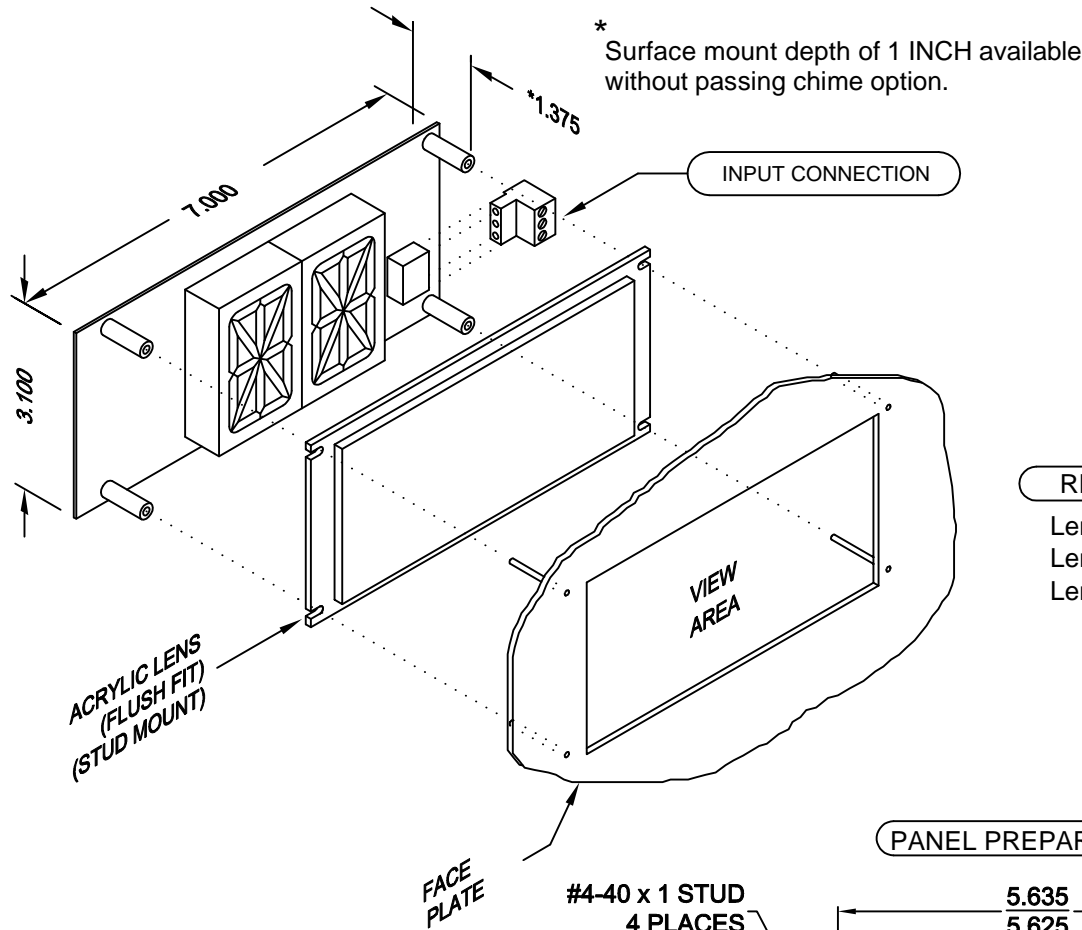


C.E. Electronics, Inc.
 2107 Industrial Drive
 Bryan, OH 43506
 PH (419) 636-6705 FX (419) 636-2516
 www.ceelectronics.com

MH122-XX

Ver. 7 Rel. 10/27/2016

MICRO COMM[®]
 DISPLAYS



RENEWAL PARTS

- Lens: 104-5602M RED
- Lens: 104-6002M GRAY
- Lens: 104-9002 BLUE

REMOTE DISPLAY INDICATOR "RDI"

Segmented LED, digital indicator for floor position display. Any alphanumeric character can be displayed in either single or double digit floor designations.

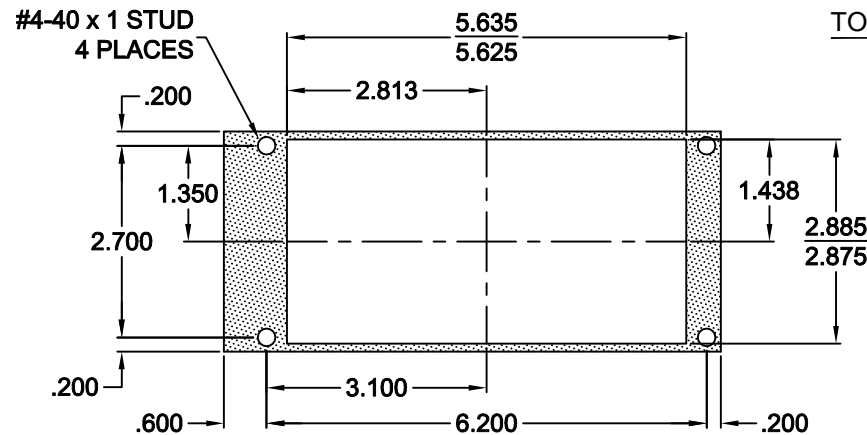
Typical Applications:

- Car-OP Panel
- Transom-car or Hall
- Surface mount fixtures

Features:

- Ultra-thin package
- Fast, 3-wire hookup
- Latched inputs
- Cross wire protected
- Self testing
- Alternate message
- Passing chime output
- Error detection and correction feature

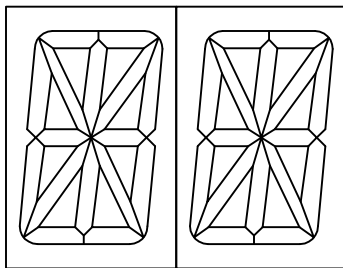
PANEL PREPARATION



TO ORDER - SPECIFY MH122 - X X

COLOR:
 "R" = RED
 "G" = GREEN
 "B" = BLUE
 "W" = WHITE

LENS:
 "R" = RED
 "G" = GRAY
 "B" = BLUE
 "X" = NO LENS



NOTE: 2.2 INCH CHARACTERS

1. This is not a stand alone unit. Must be used in conjunction with a Micro Comm interface.

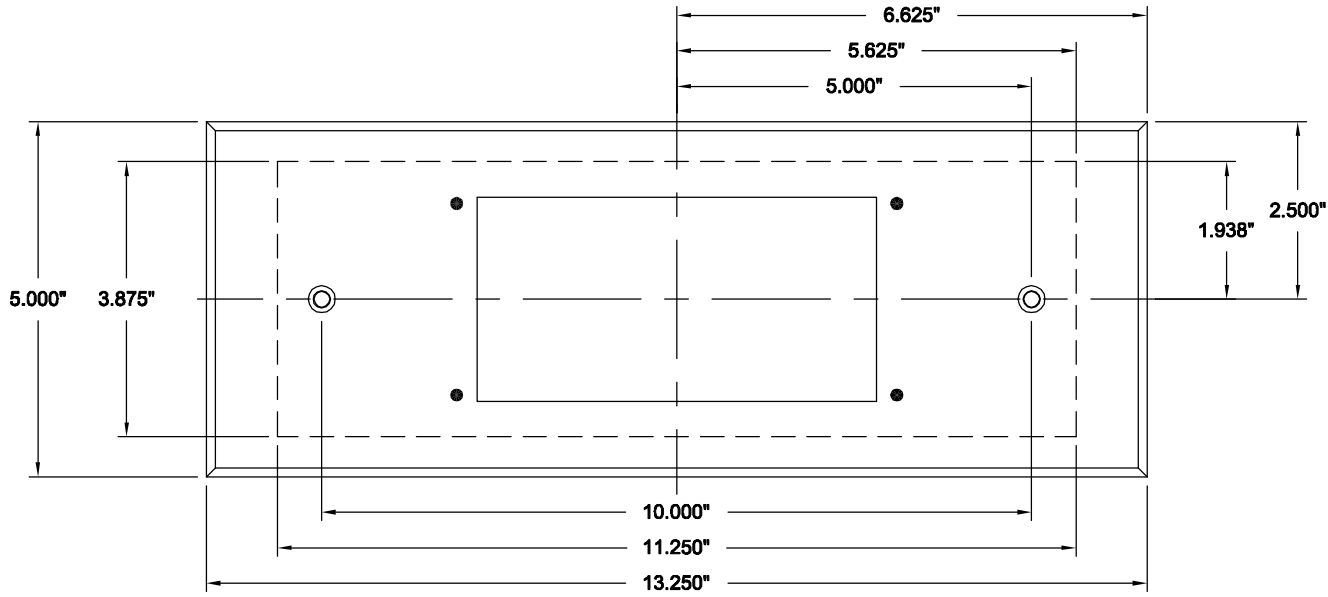


C.E. Electronics, Inc.
2107 Industrial Drive
Bryan, OH 43506
PH (419) 636-6705 FX (419) 636-2516
www.ccelectronics.com

70100006

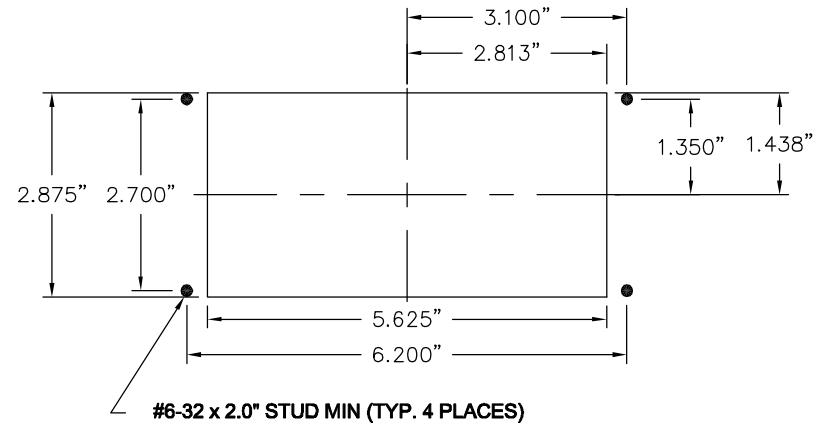
Ver. 1 Rel. 06/06/02

METAL



COVERPLATE for MH222-XXX

DETAIL



NOTES:

- #4 STAINLESS STEEL, .125"
- HORIZONTAL GRAIN
- BEVELED EDGES - APPROXIMATELY 15°
- BOX REQUIRED, 3.5" DEEP
- COUNTERSINK MOUNTING HOLES FOR #10-32 TAMPERPROOF SCREW



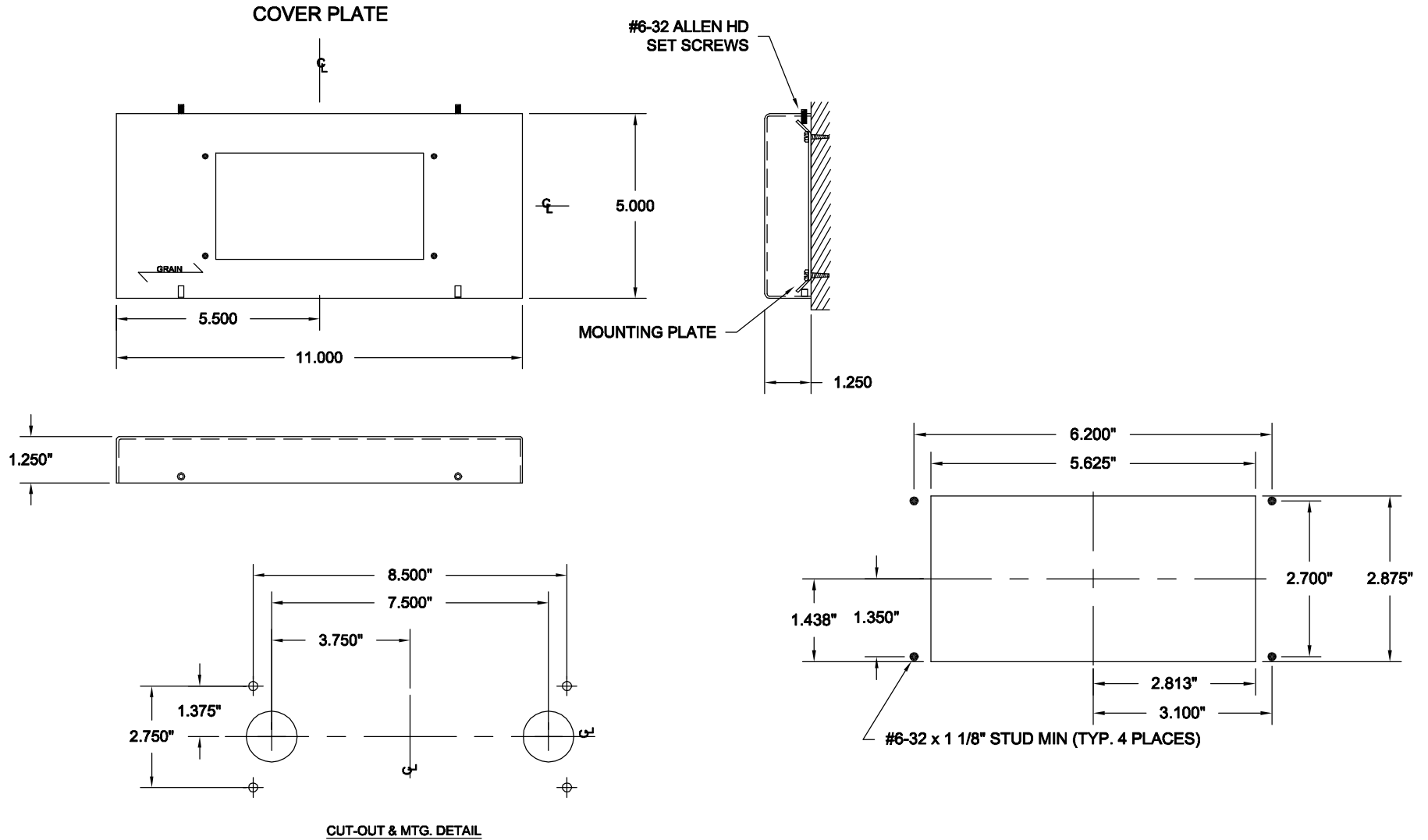
C.E. Electronics, Inc.
 2107 Industrial Drive
 Bryan, OH 43506
 PH (419) 636-6705 FX (419) 636-2516
 www.ccelectronics.com

70100007

Ver. 1 Rel. 06/19/02

METAL

SM SS4 COVER & BOX MH222-2A



NOTES:

#4 STAINLESS STEEL, PAN TYPE COVER, 16 GAGE .060
 HORIZONTAL GRAIN
 BACK PLATE INCLUDED