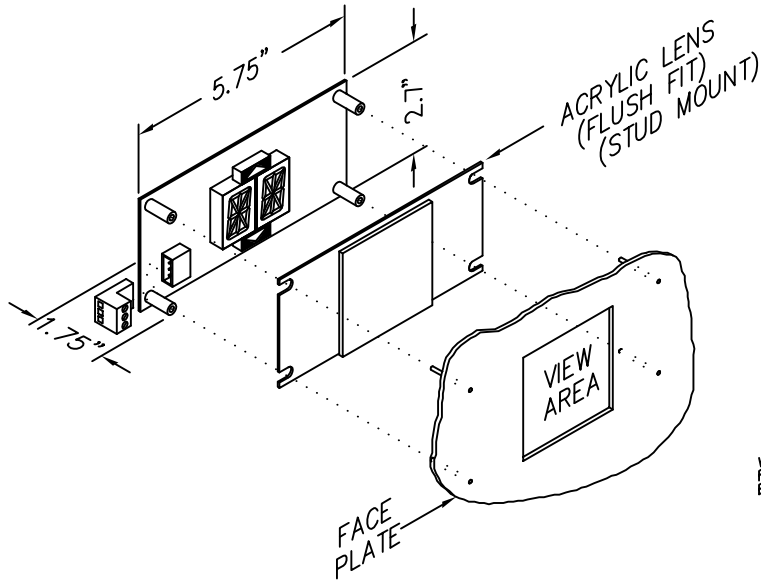
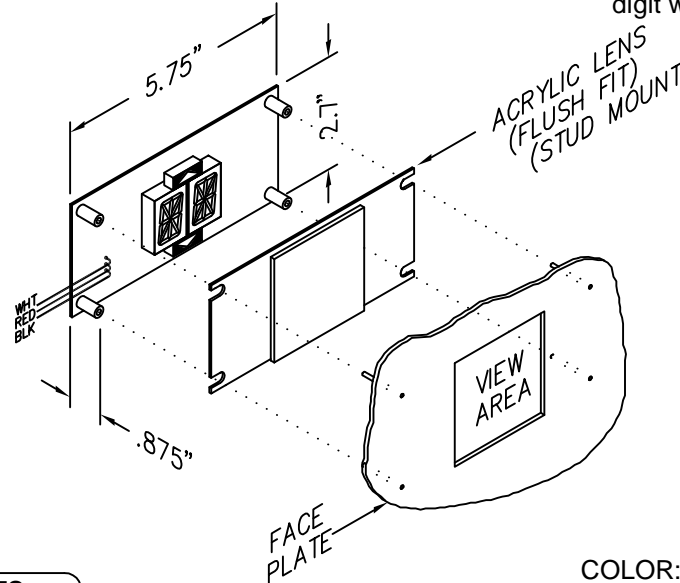




FOR FLUSH MOUNT APPLICATIONS



FOR SURFACE MOUNT APPLICATIONS



REMOTE DISPLAY INDICATOR "RDI"

Segmented LED, digital indicator for floor position display, as well as car direction. Any alphanumeric character can be displayed in single digit floor designations. Arrow can be centered over right digit when required.

Typical Applications

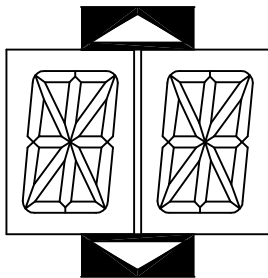
- Car-OP Panel
- Transom-car or Hall
- Surface mount fixtures

Features

- Fast, 3-wire hookup
- Latched inputs
- Cross wire protected
- Self testing
- Alternate message
- Passing chime output
- Error detection and correction feature

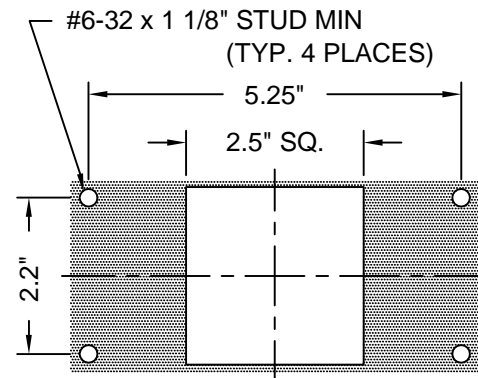
RENEWAL PARTS

- Lens: 104-3010 RED
- Lens: 104-6018 GRAY
- Lens: 104-9018 BLUE



1" CHARACTER

PANEL PREPARATION



CUTOUT TOLERANCE: +.020 - 0.0

TO ORDER - SPECIFY MH110 - X X X X

COLOR:

- "RR" = RED CHARACTER, RED ARROW
- "AR" = AMBER CHARACTER, RED ARROW
- "GR" = GREEN CHARACTER, RED ARROW
- "BR" = BLUE CHARACTER, RED ARROW
- "WR" = WHITE CHARACTER, RED ARROW
- "GG" = GREEN CHARACTER, GREEN ARROW
- "BB" = BLUE CHARACTER, BLUE ARROW
- "WW" = WHITE CHARACTER, WHITE ARROW

CONNECTION TYPE:

- "W" = WIRES (SURFACE MOUNT)
- "C" = CONNECTOR (FLUSH MOUNT)

LENS:

- "R" = RED
- "G" = GRAY
- "B" = BLUE
- "X" = NO LENS

NOTE:

1. This is not a stand alone unit. Must be used in conjunction with a Micro Comm interface.
2. For single digit display, consult factory.