

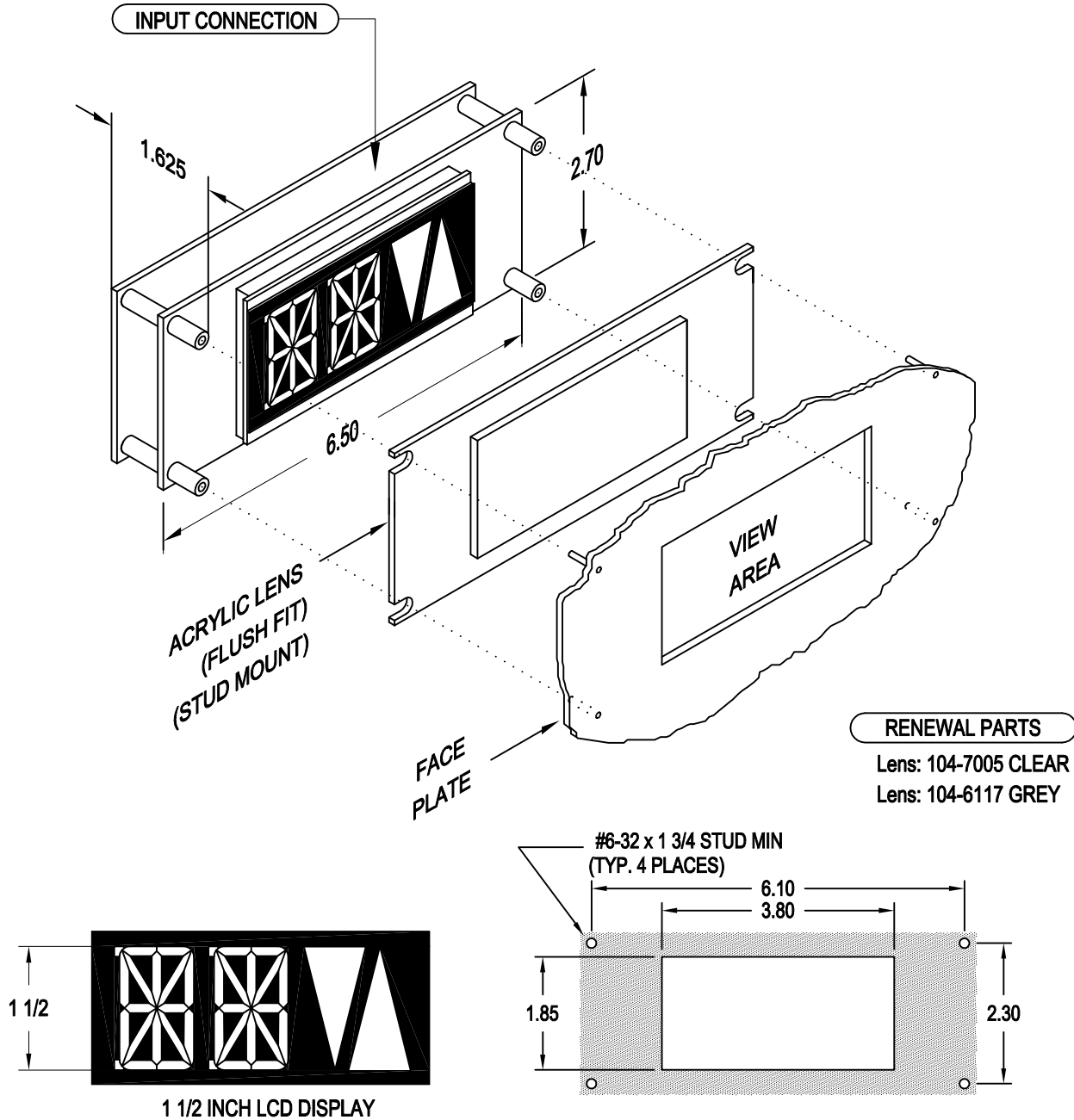


C.E. Electronics, Inc.
 2107 Industrial Drive
 Bryan, OH 43506
 PH (419) 636-6705 FX (419) 636-2516
 www.ceelectronics.com

MB215-XX

Ver. 1 Rel. 8/03/2015

MICRO COMM[®]
 DISPLAYS



BLUE BACKGROUND LIQUID CRYSTAL DISPLAY

Blue Liquid crystal display indicator with dual digits and arrow for floor position as well as car direction. All alphanumeric characters and up/down arrows can be displayed in either single or double digit floor designations.

Typical Applications

- Car-OP Panel
- Transom
- Car and hall fixtures

Features

- Long life LED backlighting
- Fast, 3-wire hookup
- Latched inputs
- Cross wire protected
- Self testing
- Alternate message
- Passing chime output
- Error detection and correction feature

Note

- This is not a stand alone unit.
 Must be used in conjunction with a MICRO COMM interface.

TO ORDER - SPECIFY MB215 -X X

DIGITS & ARROW COLOR:

"W" = WHITE

"A" = AMBER

LENS:

"C" = CLEAR

"G" = GREY

"X" = NO LENS