

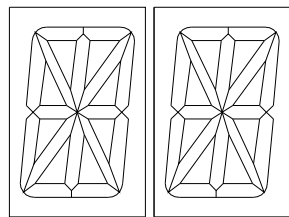
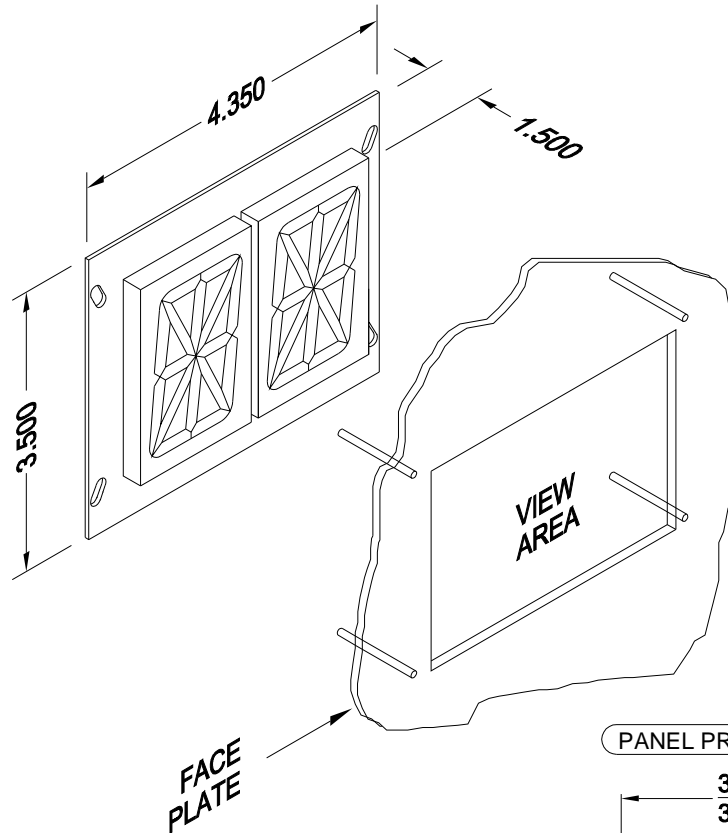


C.E. Electronics, Inc.
 2107 Industrial Drive
 Bryan, OH 43506
 PH (419) 636-6705 FX (419) 636-2516
 www.ceelectronics.com

LO220-X/MO220-X

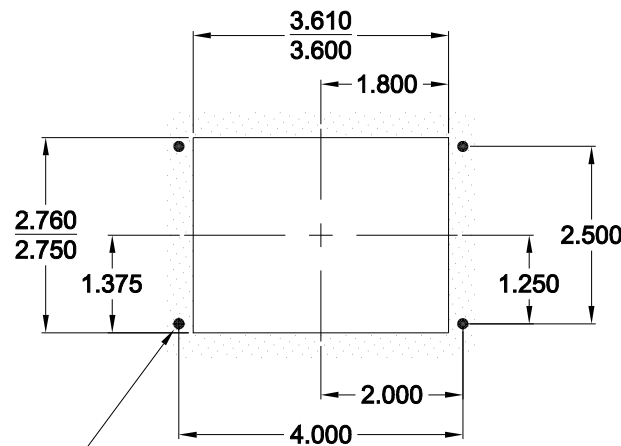
Ver. 5 Rel. 12/02/2016

DIRECT
REPLACEMENTS



2 INCH LED DISPLAY

PANEL PREPARATION



#4-40 x 1 STUD - 4 PLACES

2 INCH LED DISPLAY

LED display indicator for floor position. Any alphanumeric character can be displayed in either single or double digit floor designations.

Typical applications:

- Replacement for existing Otis style display
- Also works with Micro Comm series Elevonic 401 drivers

Features:

- Latched inputs
- Passing chime output
- Cross wire protected
- No external power supply needed
- Available in red and green

TO ORDER:-SPECIFY LO220 - X X

RENEWAL PARTS

Lens: 104-5550 RED
 Lens: 104-6050 GRAY

COLOR:

"R" = RED
 "G" = GREEN
 "B" = BLUE
 "W" = WHITE

INPUT CONNECTION

DIRECT OTIS HOOKUP THRU
 4 PIN AND 6 PIN PLUGS
 OTIS CLOCK DATA
 USES EXISTING OTIS CONTROLLER
 WITH NO ADDITIONAL HOOKUP.

LENS:

"R" = RED
 "G" = GRAY
 "X" = NONE

TO ORDER:-SPECIFY MO220 - X X

RENEWAL PARTS

Lens: 104-5550 RED
 Lens: 104-6050 GRAY

COLOR:

"R" = RED
 "G" = GREEN
 "B" = BLUE
 "W" = WHITE

INPUT CONNECTION

MICRO COMM NODE

LENS:

"R" = RED
 "G" = GRAY
 "X" = NONE

NOTE:

1. This is not a stand alone unit.
2. Requires a Micro Comm driver. Must be used in conjunction with a MCCU controller.