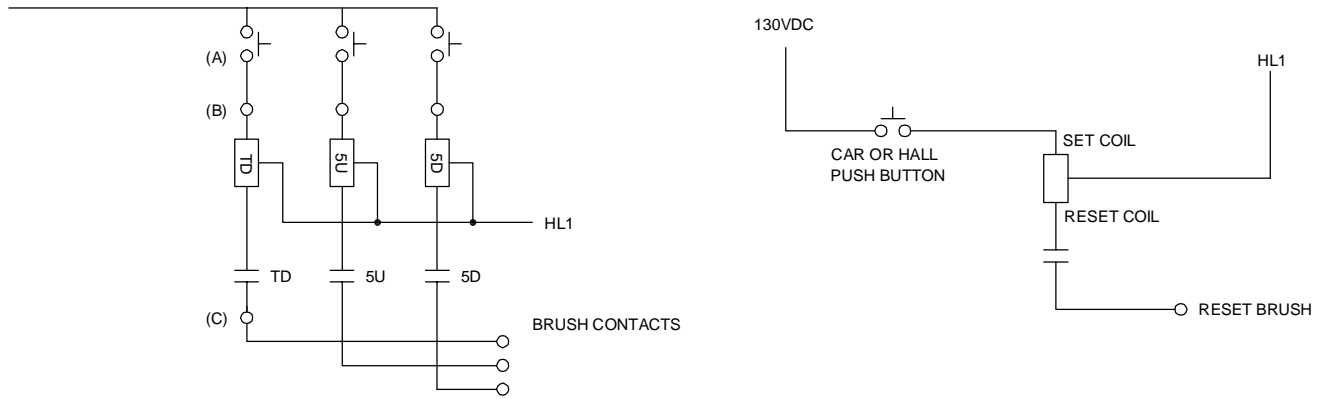
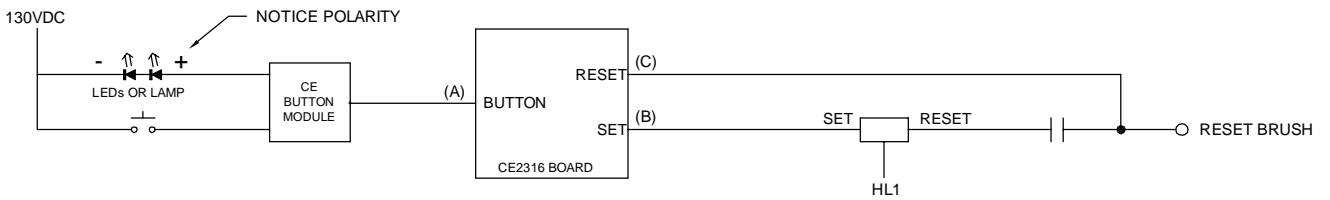


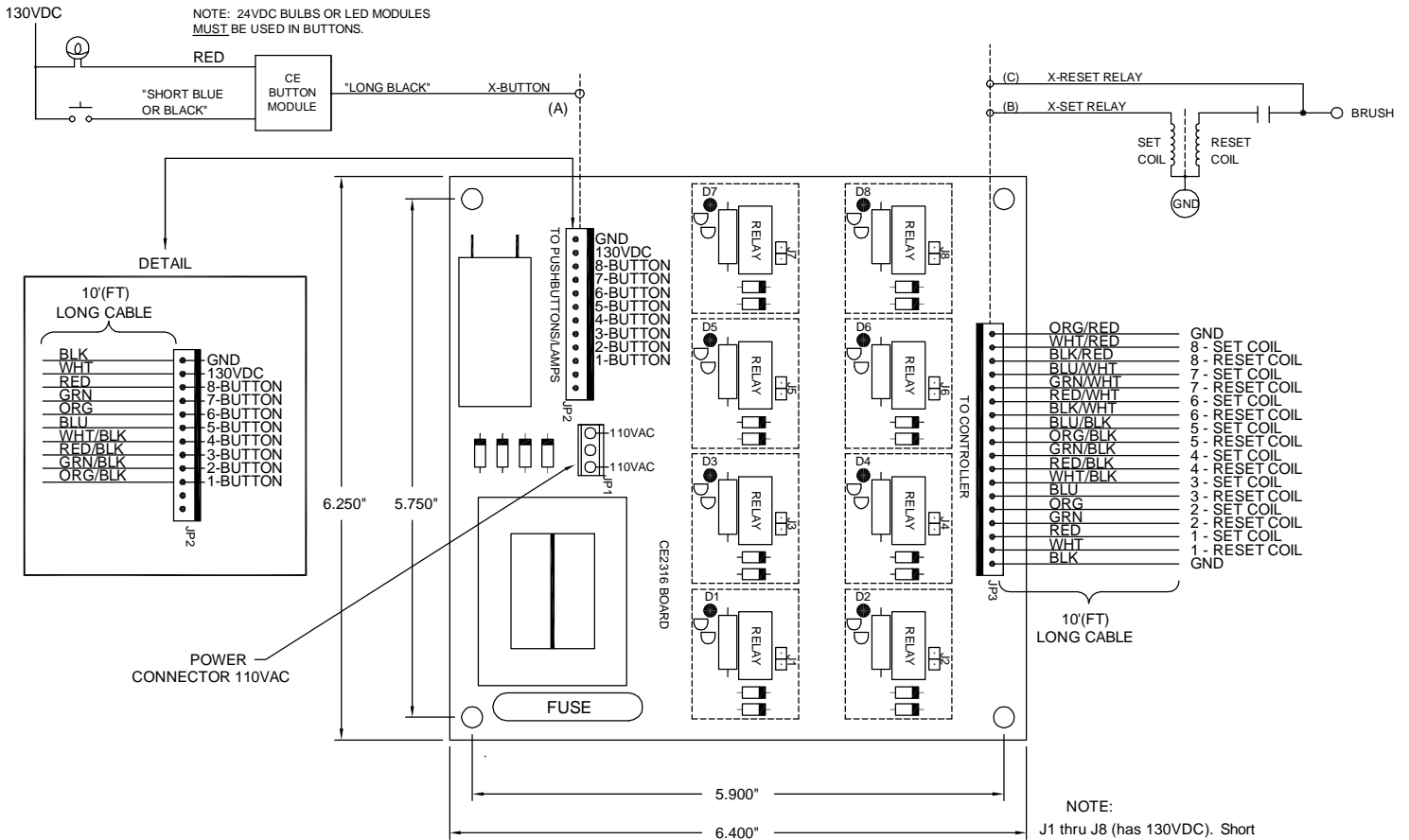
TYPICAL OLD CONTROLLER LAYOUT



TYPICAL NEW CONTROLLER LAYOUT



DETAILS



HMRMB - X

- 1 = OTIS POSITIVE RESET
- 2 = WESTINGHOUSE NEGATIVE RESET - SEE DRAWING 2316-2A.

DATE DRAWN: 02/28/02	DRAWN BY: K.L.S.	REQUESTED BY: J.K.	C.E. ELECTRONICS, INC. 614 East Edgerton Street Bryan, Ohio 43506 (419) 636-6705
BOARD NUMBER: 2316(X)	TOLERANCE: N/A	LAST DATE REVISED:	
PRODUCT: OTIS MECH. PUSHBTN RELAY BD		APPROVED BY:	DWG. NO. HMRMB-5
			REV: