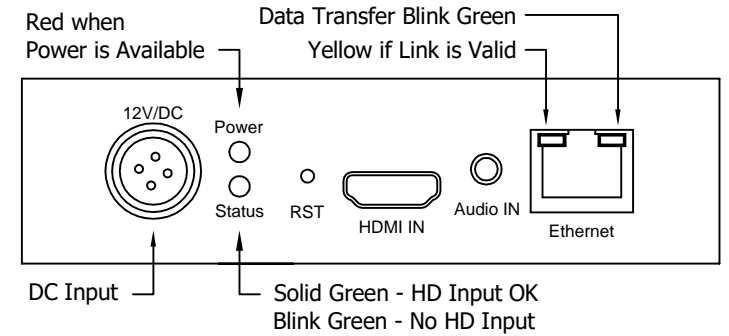
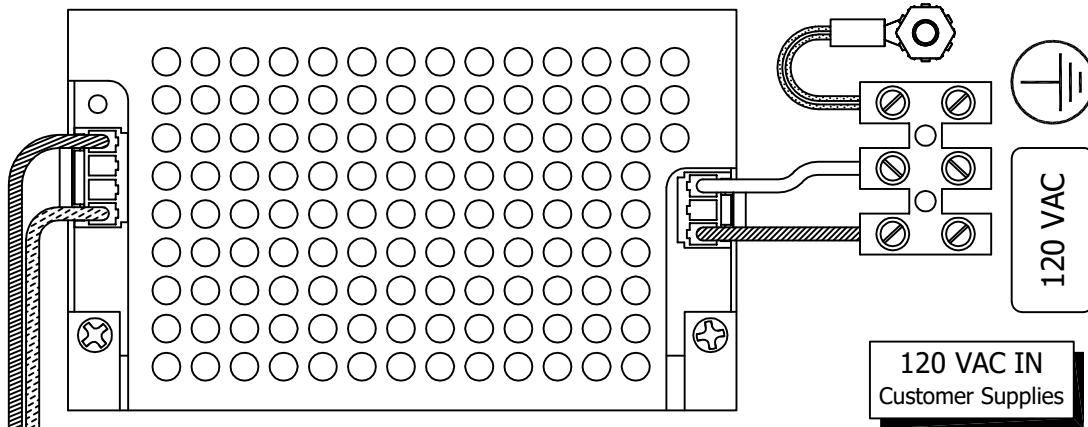


HDINT-2 HD Encoder

JOB# _____



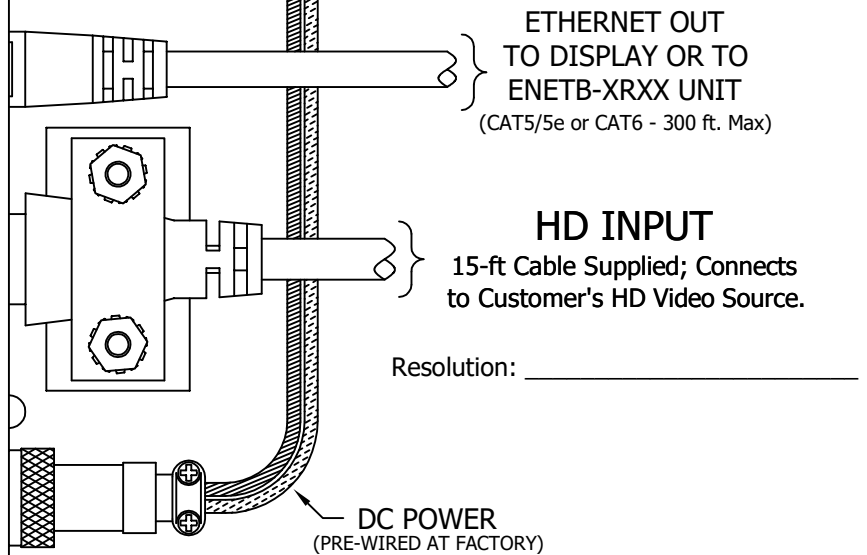
User ID: _____


Password: _____

IP ADDR: _____

IP MASK: _____

Firmware: _____



DATE DRAWN: 07/07/21	DRAWN BY: DAC	REQUESTED BY: TE	 C.E. ELECTRONICS, INC. 2107 Industrial Drive Bryan, OH 43506 (419) 636-6705
BOARD NUMBER: 25020100	LAST DATE REVISED: -	APPROVED BY:	
PRODUCT HD TO IP ENCODER		DWG. NO. HDINT_02	