

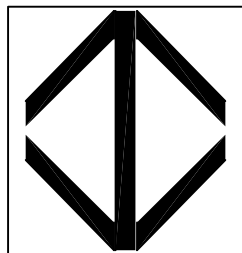
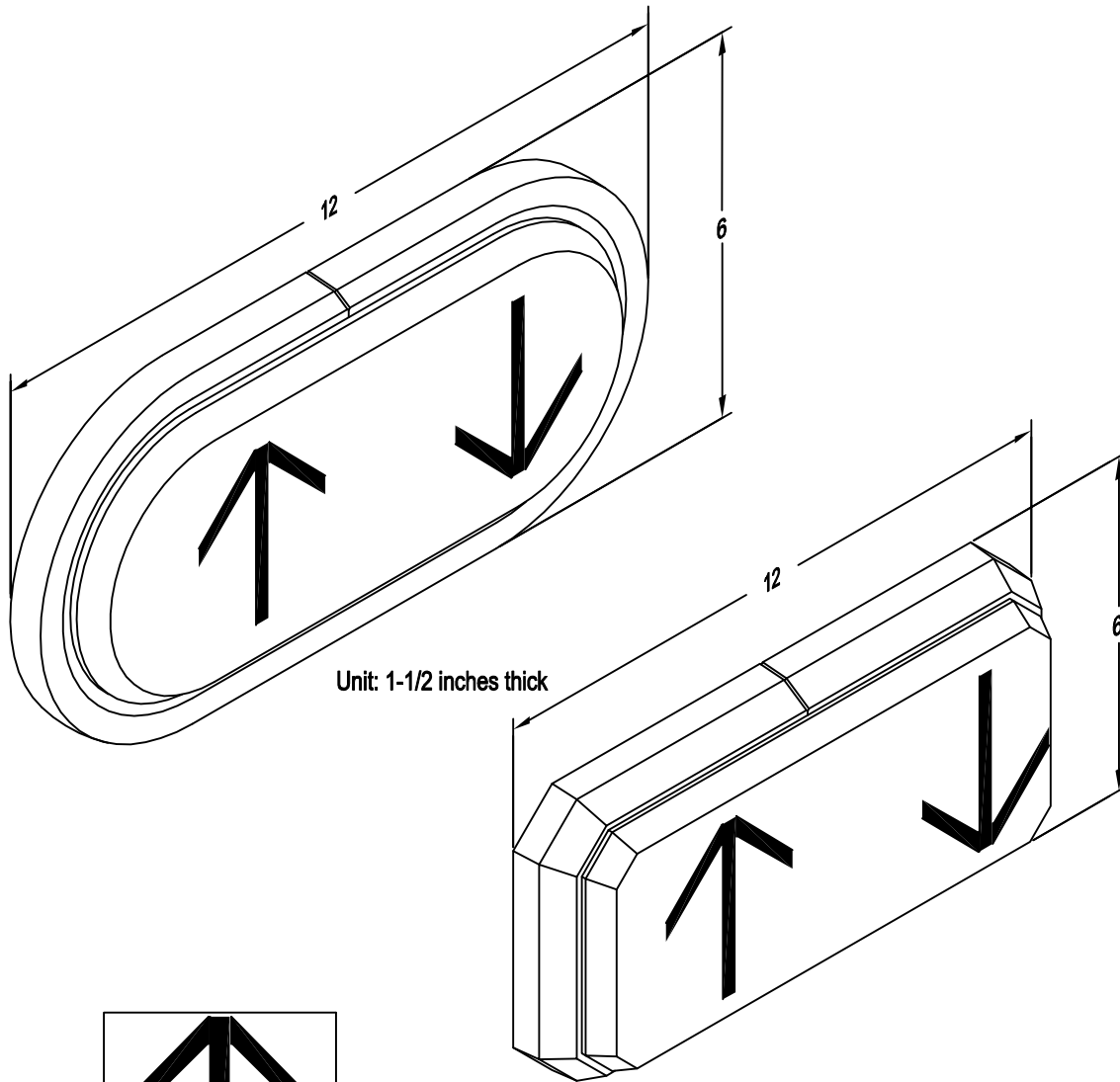


C.E. Electronics, Inc.  
 2107 Industrial Drive  
 Bryan, OH 43506  
 PH (419) 636-6705 FX (419) 636-2516  
 www.ceelectronics.com

# GTDH-XXXX

Ver. 10 Rel. 7/20/2015

CLASSIC  
 SERIES



3 INCH ARROW

## REMOTE DISPLAY INDICATOR "RDI"

Long life, solid state bi-color, blue, white or green arrow for lanterns, 100,000 hour rated life. Accepts existing signals over the discrete inputs. The bi-color arrows are green in the up direction and red in the down or solid blue, white or green. The unit is also equipped with an arrival gong.

### Typical Applications

- Hall and car lanterns

### Features

- 3 inch arrow
- Red down/green up
- All Blue, White, or Green
- 1 year factory warranty
- Includes gong

TO ORDER - SPECIFY GTDH-XXXX

SIGNAL VOLTAGE:  
 "Z" = +/- 20 - 130 VAC/DC

GONG CHOICE:  
 "S" = SINGLE STROKE  
 "D" = DOUBLE STROKE

METAL CHOICE:  
 "A" = STAINLESS STEEL SATIN OVAL  
 "B" = STAINLESS STEEL CHROME OVAL  
 "C" = STAINLESS STEEL SATIN RECTANGLE CHAMFERED  
 "D" = STAINLESS STEEL CHROME RECTANGLE CHAMFERED  
 "X" = NO METAL  
 \* For additional finishes, contact factory

COLOR:  
 "B" = BLUE ARROW  
 "W" = WHITE ARROW  
 "G" = GREEN ARROW  
 <BLANK> = BI-COLOR ARROW