

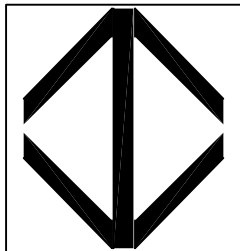
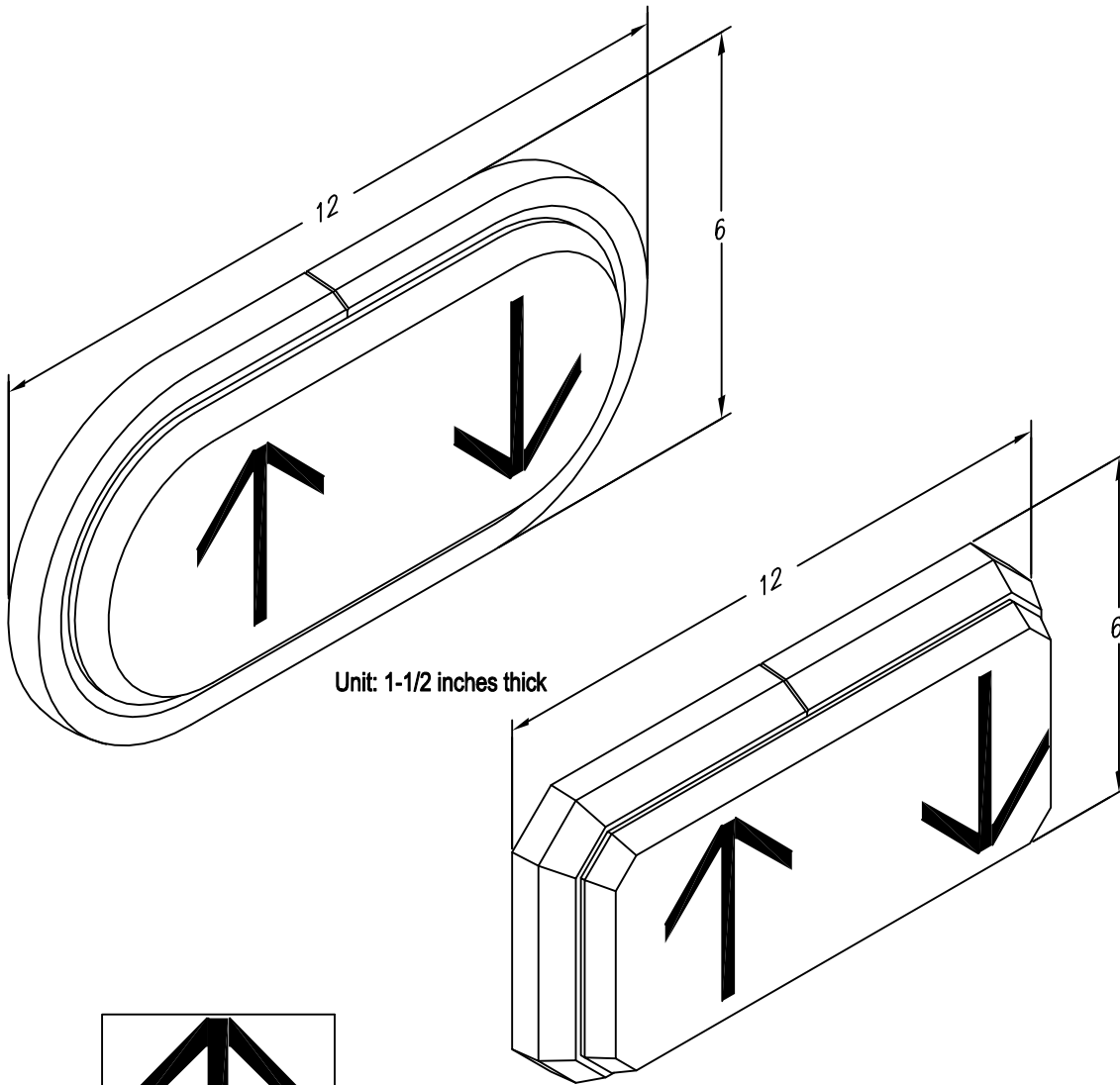


C.E. Electronics, Inc.
 2107 Industrial Drive
 Bryan, OH 43506
 PH (419) 636-6705 FX (419) 636-2516
 www.ccelectronics.com

GTDH-OSXX

Ver. 8 Rel. 7/27/2015

OTIS®
 411 SERIES



3 INCH ARROW

REMOTE DISPLAY INDICATOR "RDI"

Long life, solid state bi-color arrow for lanterns, 100,000 hour rated life. Accepts existing signals over the Otis serial RSL link. The unit consists of bi-color arrows which are green in the up direction and red in the down direction or solid blue, white, or green arrows. The unit is also equipped with an arrival gong.

Typical Applications

- Hall and car lanterns

Features

- Bi-color red & green 3 inch arrow or solid blue or solid white or solid green 3 inch arrow
- All Blue, White, or Green
- 1 year factory warranty
- Includes gong
- Otis RSL input
- ECA

TO ORDER - SPECIFY GTDH - O S X X

SIGNAL VOLTAGE:

"OS" = OTIS SERIAL ONLY

METAL CHOICE:

- "A" = STAINLESS STEEL SATIN OVAL
- "B" = STAINLESS STEEL CHROME OVAL
- "C" = STAINLESS STEEL SATIN RECTANGLE CHAMFERED
- "D" = STAINLESS STEEL CHROME RECTANGLE CHAMFERED
- "X" = NO METAL

* For additional finishes, contact factory

COLOR:

- "B" = BLUE ARROW
- "W" = WHITE ARROW
- "G" = GREEN ARROW
- <BLANK> = BI-COLOR ARROW