

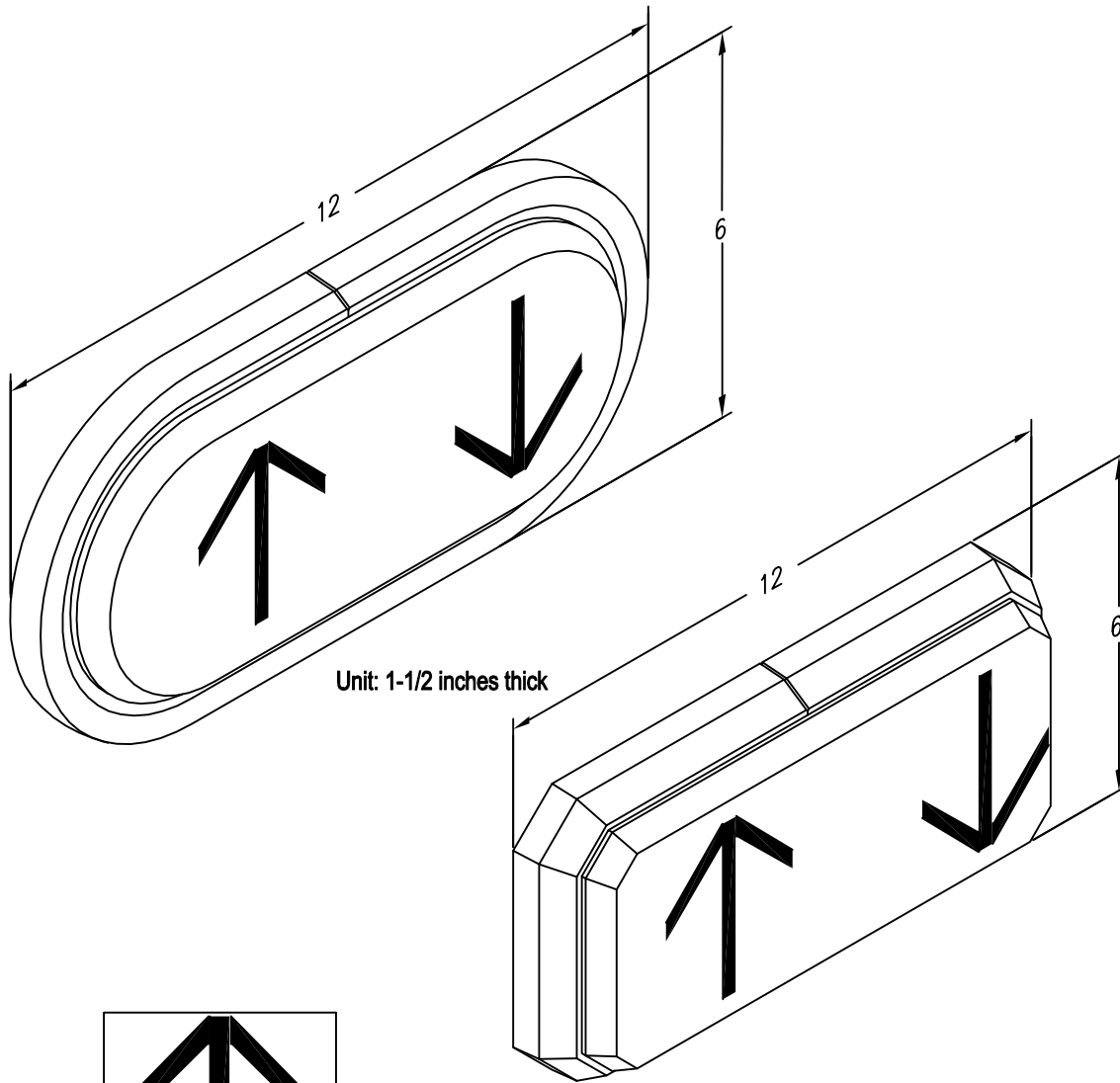


C.E. Electronics, Inc.  
 2107 Industrial Drive  
 Bryan, OH 43506  
 PH (419) 636-6705 FX (419) 636-2516  
 www.ccelectronics.com

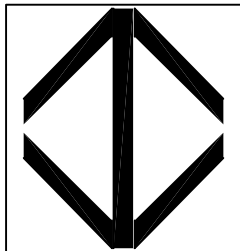
# GTDH-MXXX

Ver. 7 Rel. 7/27/2015

CLASSIC  
 SERIES



Unit: 1-1/2 inches thick



3 INCH ARROW

Long life, solid state bi-color, white, green or blue arrow for lanterns, 100,000 hour rated life. Accepts existing signals over the C.E. serial MICRO COMM link. The bi-color arrows are green in the up direction and red in the down direction. The unit is also equipped with an arrival gong.

### Typical Applications

- Hall and car lanterns

### Features

- Bi-color red & green 3 inch arrow or solid blue or solid white or solid green 3 inch arrow
- 180° viewing angle lantern
- 1 year factory warranty
- Conforms to ADAAG 4.10.4
- Includes gong

TO ORDER - SPECIFY GTDV - M X X X

SIGNAL VOLTAGE:  
 "M" = MICRO COMM ONLY

GONG CHOICE:  
 "X" = NO CHOICE (DEFAULT)

METAL CHOICE:  
 "A" = STAINLESS STEEL SATIN OVAL  
 "B" = STAINLESS STEEL CHROME OVAL  
 "C" = STAINLESS STEEL SATIN RECTANGLE CHAMFERED  
 "D" = STAINLESS STEEL CHROME RECTANGLE CHAMFERED  
 "X" = NO METAL  
 \* For additional finishes, contact factory

COLOR:  
 "B" = BLUE ARROW  
 "W" = WHITE ARROW  
 "G" = GREEN ARROW  
 <BLANK> = BI-COLOR ARROW