

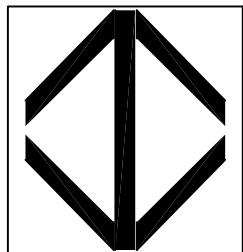
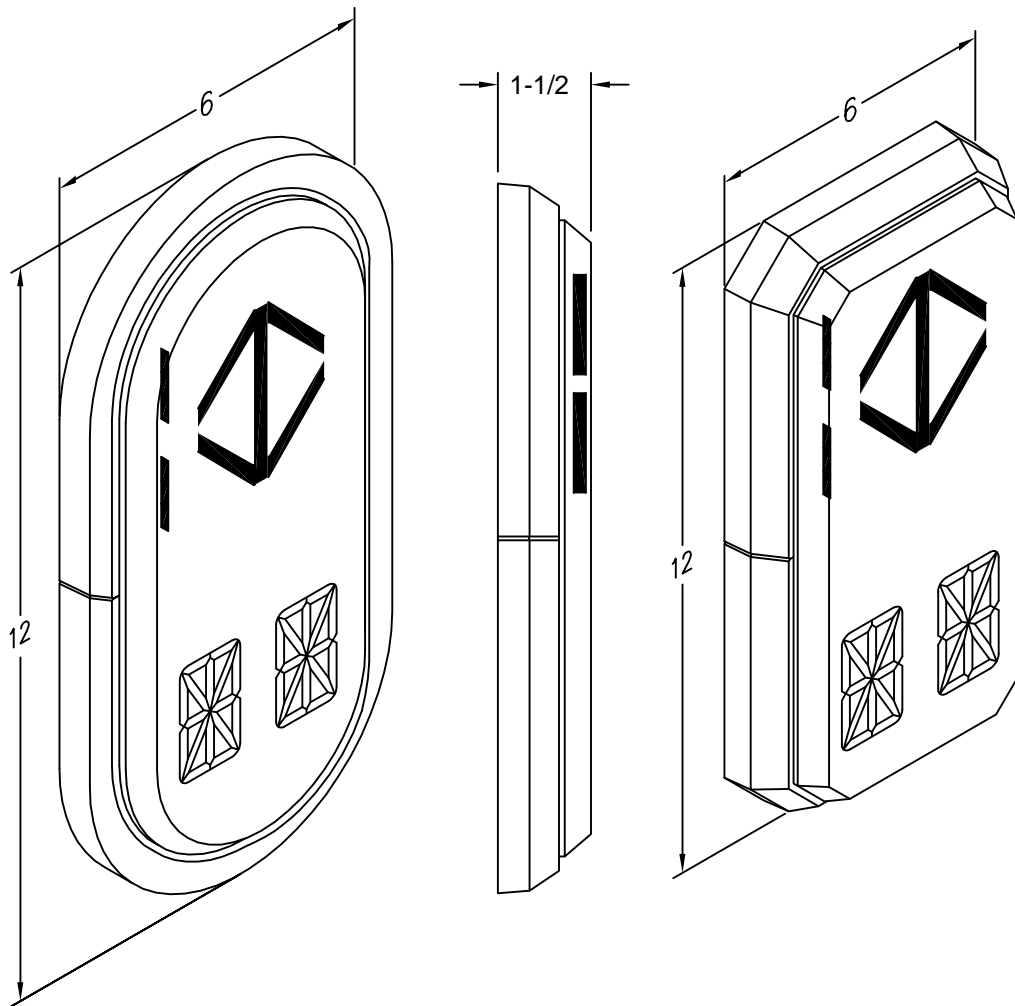


C.E. Electronics, Inc.
 2107 Industrial Drive
 Bryan, OH 43506
 PH (419) 636-6705 FX (419) 636-2516
 www.ceelectronics.com

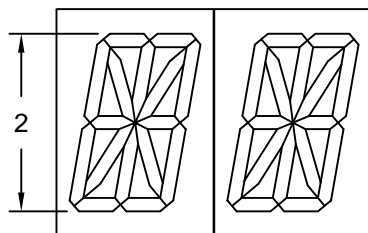
GTCV-OSXX

Ver. 6 Rel. 7/27/2015

OTIS®
 411 SERIES



3 INCH ARROW



2 INCH CHARACTERS

REMOTE DISPLAY INDICATOR "RDI"

Long life, solid state bi-color arrow for lanterns, 100,000 hour rated life. Accepts existing signals over the Otis serial RSL link. The unit has a double digit 2 inch display. It includes a bi-color arrow which is green in the up direction and red in the down or solid blue, green or white arrows with matching side bars for 180° viewing. The unit is also equipped with an arrival gong.

Typical Applications

- Hall and car lanterns
- P.I. combo w/180° Viewing angle

Features

- Bi-color red & green 3 inch arrow with bi-color side bars or solid blue or solid white or solid green 3 inch arrow with solid side bar
- 2 inch characters in red, blue, white, or green color
- 180° viewing angle lantern
- 1 year factory warranty
- Conforms to ADAAG 4.10.4
- Includes gong

TO ORDER - SPECIFY GTCV - OSXX

SIGNAL VOLTAGE:
 "OS" = OTIS SERIAL ONLY

METAL CHOICE:

- "A" = STAINLESS STEEL SATIN OVAL
- "B" = STAINLESS STEEL CHROME OVAL
- "C" = STAINLESS STEEL SATIN RECTANGLE CHAMFERED
- "D" = STAINLESS STEEL CHROME RECTANGLE CHAMFERED
- "X" = NO METAL
- * For additional finishes, contact factory

COLOR:

- "B" = BLUE ARROW, BLUE DIGITS
- "W" = WHITE ARROW, WHITE DIGITS
- "G" = GREEN ARROW, GREEN DIGITS
- <BLANK> = BI-COLOR ARROW, RED DIGITS