

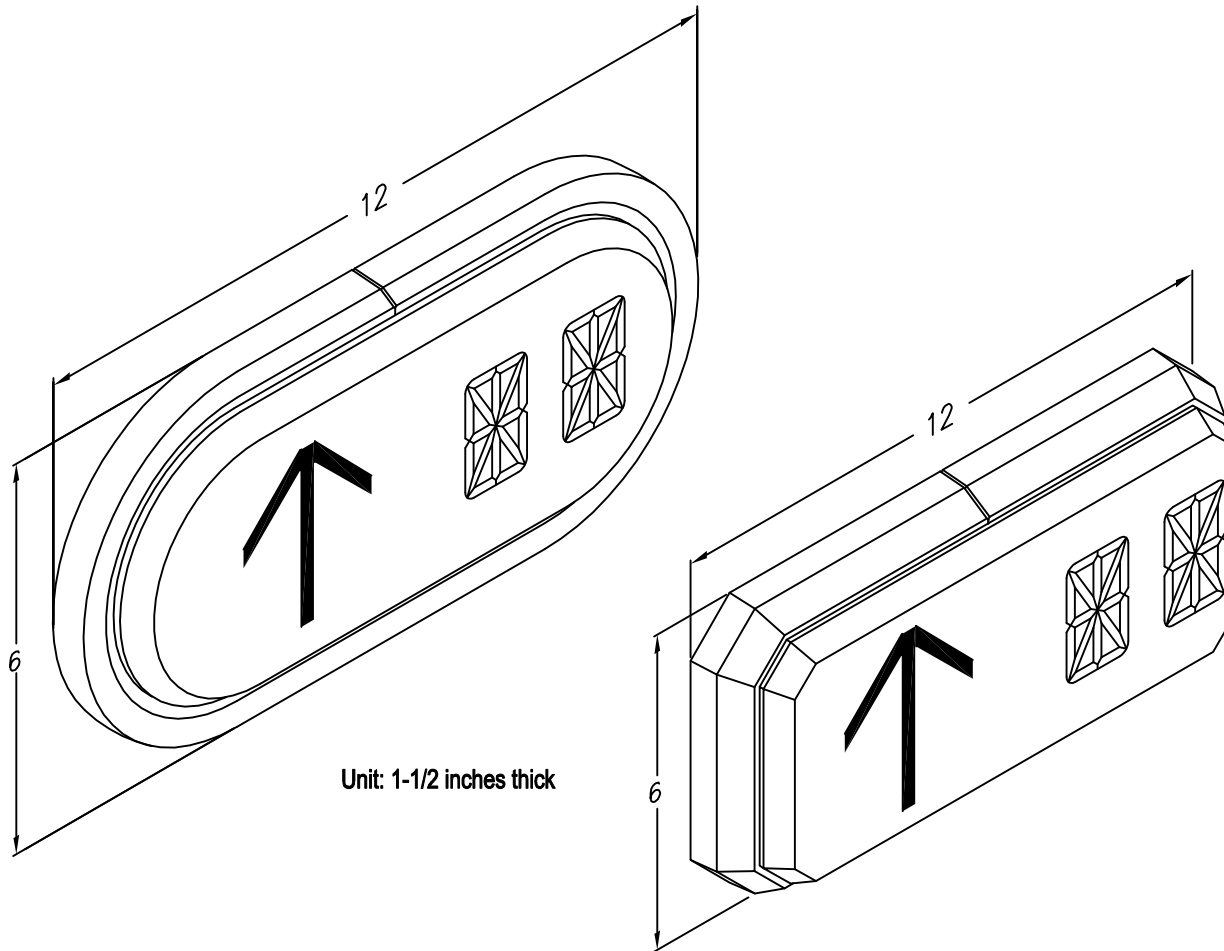


C.E. Electronics, Inc.
 2107 Industrial Drive
 Bryan, OH 43506
 PH (419) 636-6705 FX (419) 636-2516
 www.ccelectronics.com

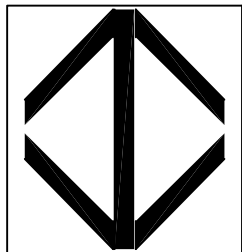
GTCH-OSXX

Ver. 6 Rel. 7/27/2015

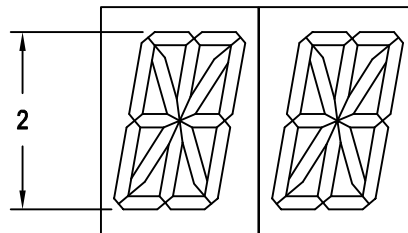
OTIS®
 411 SERIES



Unit: 1-1/2 inches thick



3 INCH ARROW



2 INCH CHARACTERS

REMOTE DISPLAY INDICATOR "RDI"

Long life, solid state arrow for lanterns, 100,000 hour rated life. Accepts existing signals over the Otis serial RSL link. The unit has a double digit 2 inch display. It includes a bi-color arrow which is green in the up direction and red in the down or solid blue, white or green arrows. The unit is also equipped with an arrival gong.

Typical Applications

- Hall and car lanterns
- Combo position Indicator, Lantern

Features

- Bi-color 3 inch arrow or solid blue or solid white or solid green
- 2 inch characters in red, blue, white, or green color
- 1 year factory warranty
- Includes gong

TO ORDER - SPECIFY GTCH - O S X X

SIGNAL VOLTAGE:
 "OS" = OTIS SERIAL ONLY

METAL CHOICE:
 "A" = STAINLESS STEEL SATIN OVAL
 "B" = STAINLESS STEEL CHROME OVAL
 "C" = STAINLESS STEEL SATIN RECTANGLE CHAMFERED
 "D" = STAINLESS STEEL CHROME RECTANGLE CHAMFERED
 "X" = NO METAL
 * For additional finishes, contact factory

COLOR:
 "B" = BLUE ARROW, BLUE DIGITS
 "W" = WHITE ARROW, WHITE DIGITS
 "G" = GREEN ARROW, GREEN DIGITS
 <BLANK> = BI-COLOR ARROW, RED DIGITS