

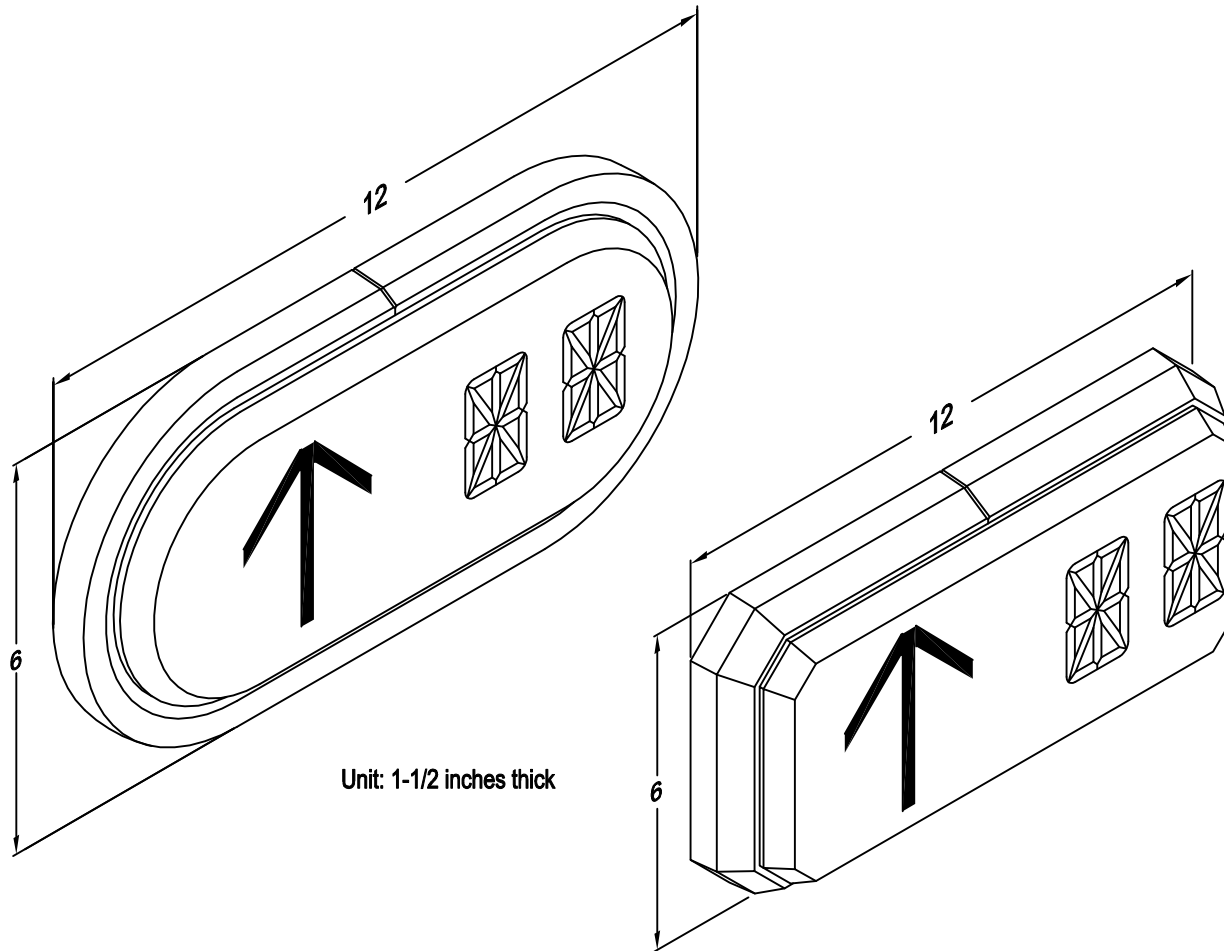


C.E. Electronics, Inc.
 2107 Industrial Drive
 Bryan, OH 43506
 PH (419) 636-6705 FX (419) 636-2516
 www.cееlectronics.com

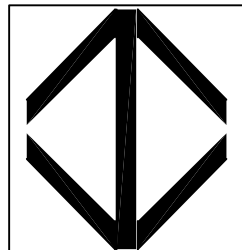
GTCH-MXXX

Ver. 7 Rel. 7/21/2015

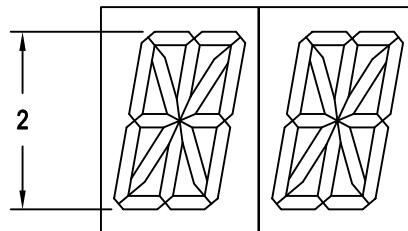
CLASSIC
 SERIES



Unit: 1-1/2 inches thick



3 INCH ARROW



2 INCH CHARACTERS

REMOTE DISPLAY INDICATOR "RDI"

Long life, solid state arrow for lanterns, 100,000 hour rated life. Accepts existing signals over the C.E. serial MICRO COMM link. The unit has a double digit 2 inch display. It includes a bi-color arrow which is green in the up direction and red in the down or solid blue, white, or green. The unit is also equipped with an arrival gong.

Typical Applications

- Hall and car lanterns
- Combo position Indicator, Lanterns

Features

- Bi-color 3 inch arrow or solid blue / white
- 2 inch characters red, blue, white, or green
- 1 year factory warranty
- Includes gong

TO ORDER - SPECIFY GTCH - M X X X

SIGNAL VOLTAGE:

"M" = MICRO COMM ONLY

GONG CHOICE:

"X" = NO CHOICE (DEFAULT)

METAL CHOICE:

"A" = STAINLESS STEEL SATIN OVAL

"B" = STAINLESS STEEL CHROME OVAL

"C" = STAINLESS STEEL SATIN RECTANGLE CHAMFERED

"D" = STAINLESS STEEL CHROME RECTANGLE CHAMFERED

"X" = NO METAL

* For additional finishes, contact factory

COLOR:

"B" = BLUE ARROW, BLUE DIGITS

"W" = WHITE ARROW, WHITE DIGITS

"G" = GREEN ARROW, GREEN DIGITS

<BLANK> = BI-COLOR ARROW, RED DIGITS