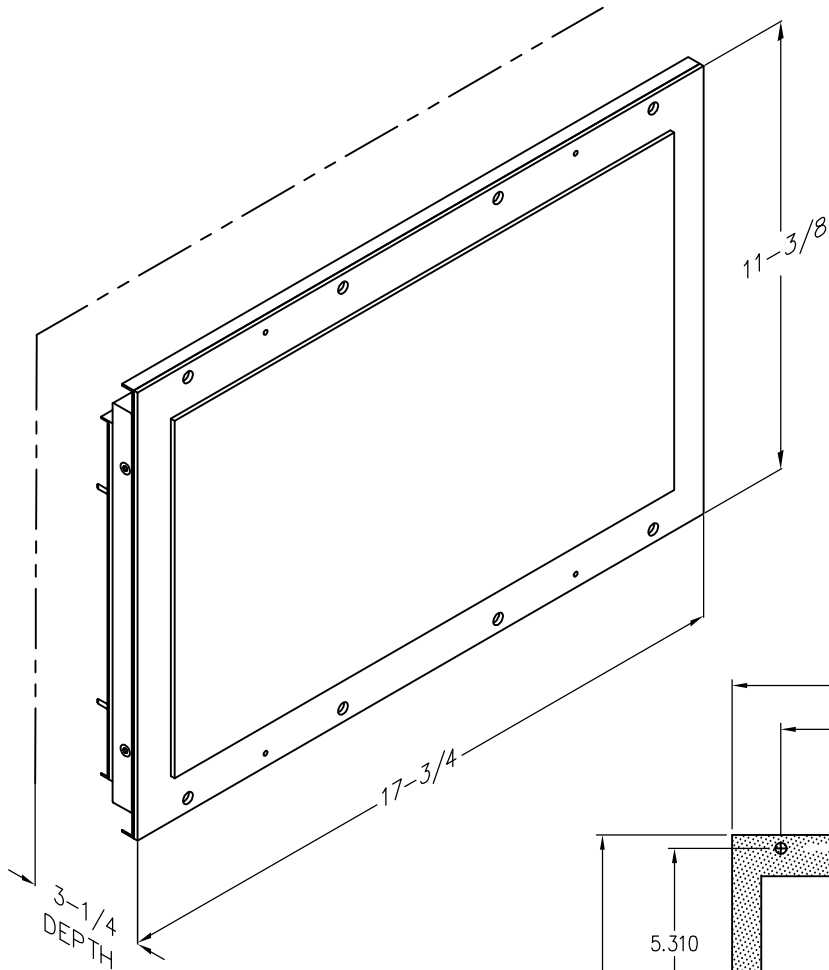




EX185W-AA2X

Ver. 2 Rel. 1/5/2024

ELITE PI[®]



18.5 INCH "WIDE" Elite PI

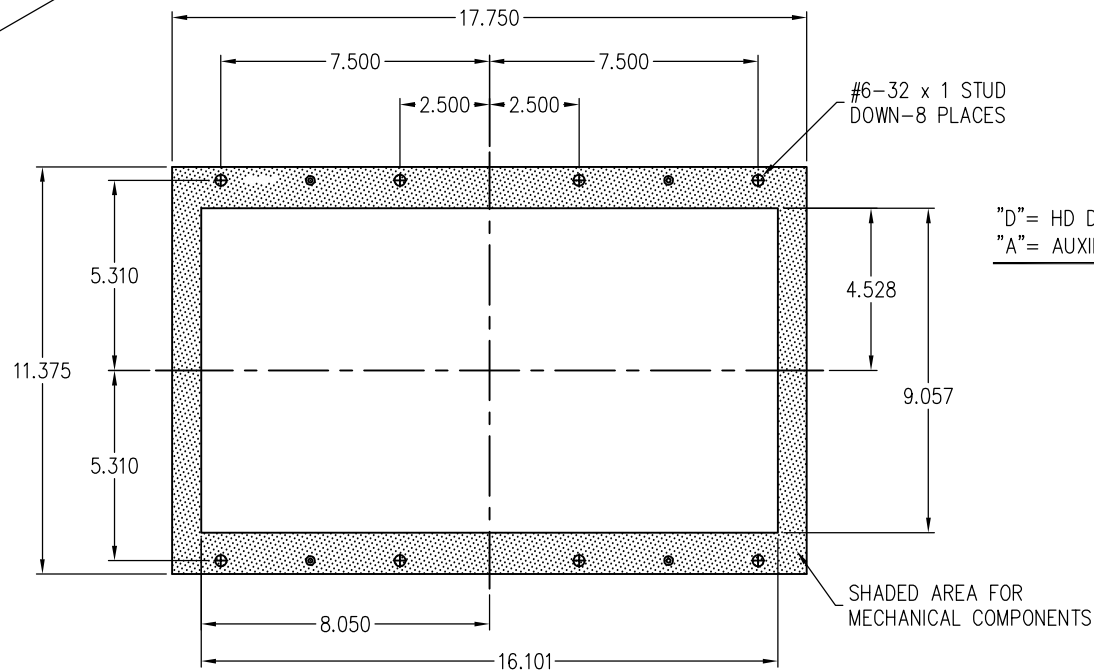
The MICRO COMM Elite PI is the most flexible position indicator available. With the Elite PI Designer software, you can customize your own position indicator by selecting background colors, textures, fonts, and arrow styles. This system is so flexible you can even determine where the display elements appear on the screen. In addition to design flexibility, the MICRO COMM Elite PI can display floor, priority, and time-based messages.

Typical Applications

- Car operating panel
- Car transom
- Lobby

Features:

- HD @720P
- Streaming View
- Self Testing
- Elite PI Designer software
- Elite PI Transfer software
- MICRO COMM serial link input



TO ORDER- EX185W-AA2X

"D"= HD DIGITAL SCREEN
 "A"= AUXILIARY PANEL LINK

<BLANK>= LANDSCAPE
 "P"= PORTRAIT

RELATED DRAWINGS	
DESCRIPTION	DRAWING NAME
PANEL PREP.	PP185W-AA2
DETAIL DIM.	DD185W-AA2