



EX185W-AA2X

18.5" "WIDE" ELITE PI SERIES



ELITE PI

18.5" "WIDE" ELITE PI

The MICRO COMM Elite PI is the most flexible position indicator available. With the Elite PI Designer software, you can customize your own position indicator by selecting background colors and textures, fonts, and arrow styles. This system is so flexible you can even determine where the display elements appear on the screen. In addition to design flexibility, the MICRO COMM Elite PI can display floor, priority, and time-based messages.

TYPICAL APPLICATIONS:

- > Car operating panel
- > Car transom
- > Lobby

FEATURES:

- > HD @720P
- > Streaming View
- > Self Testing
- > Elite PI Designer software
- > Elite PI Transfer software
- > MICRO COMM serial link input



C.E. Electronics, Inc. (US) 2107 Industrial Drive, Bryan, Ohio 43506 p: 419.636.6705 www.ceelectronics.com

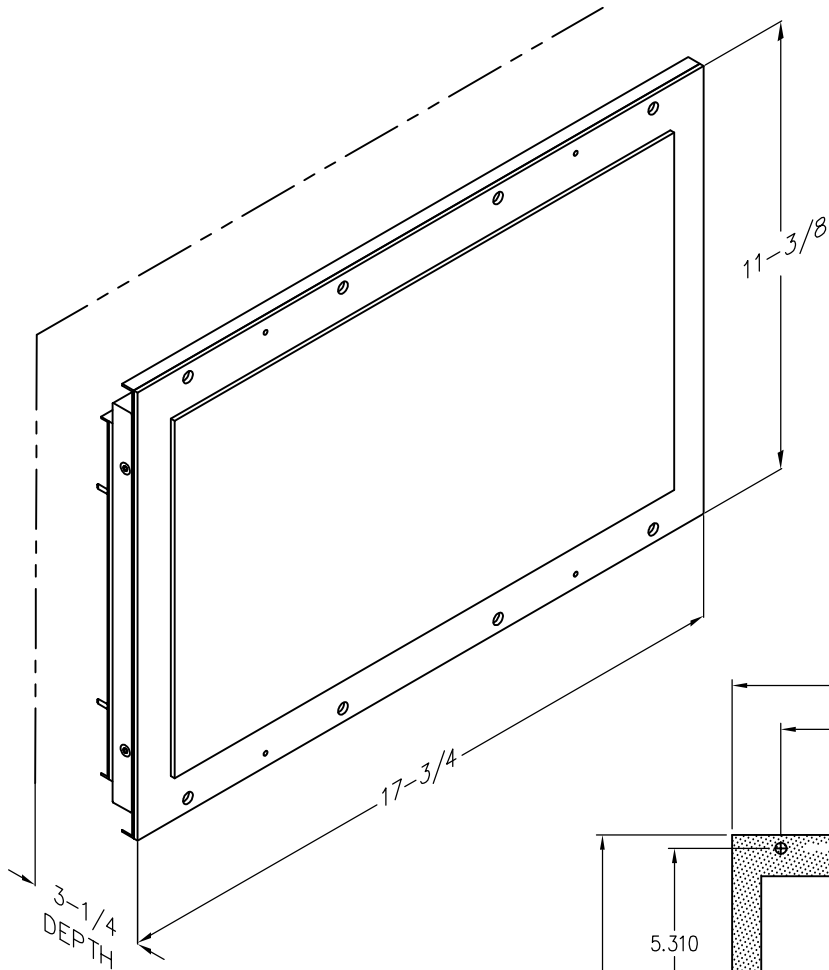
C.E. Electronics, Ltd. (UK) P.O. Box 1679 Marlow, Bucks SL7 3ZG, UK p: +44 (0) 1628 487633 www.ceelectronics.co.uk



EX185W-AA2X

Ver. 2 Rel. 1/5/2024

ELITE PI[®]



18.5 INCH "WIDE" Elite PI

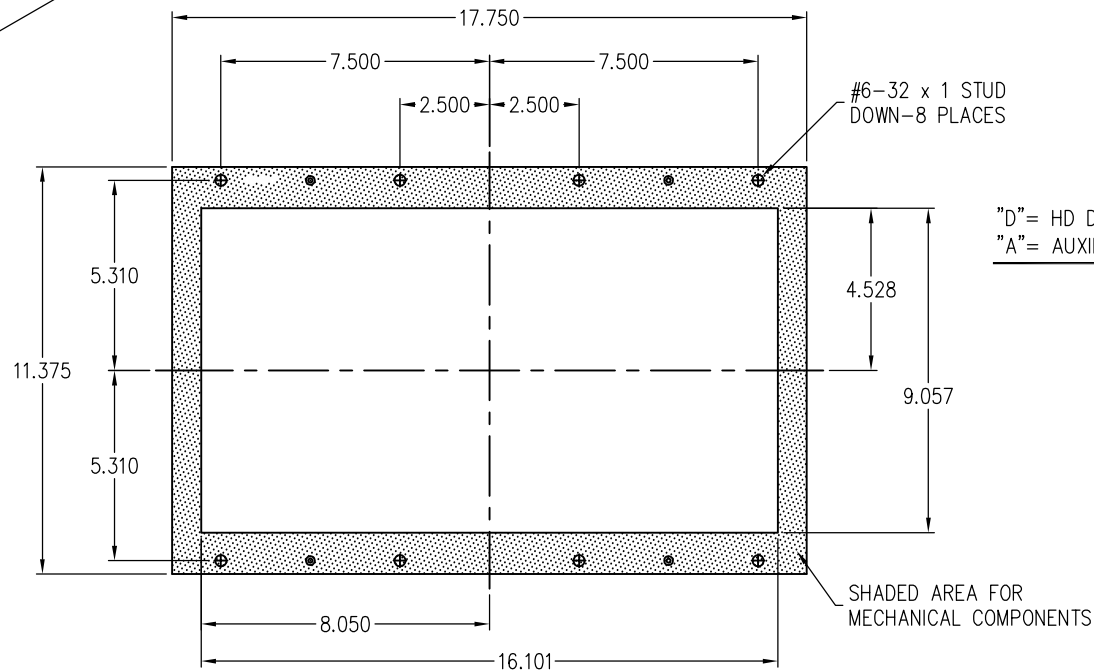
The MICRO COMM Elite PI is the most flexible position indicator available. With the Elite PI Designer software, you can customize your own position indicator by selecting background colors, textures, fonts, and arrow styles. This system is so flexible you can even determine where the display elements appear on the screen. In addition to design flexibility, the MICRO COMM Elite PI can display floor, priority, and time-based messages.

Typical Applications

- Car operating panel
- Car transom
- Lobby

Features:

- HD @720P
- Streaming View
- Self Testing
- Elite PI Designer software
- Elite PI Transfer software
- MICRO COMM serial link input

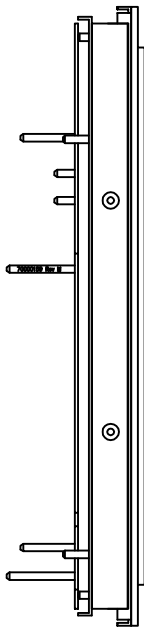
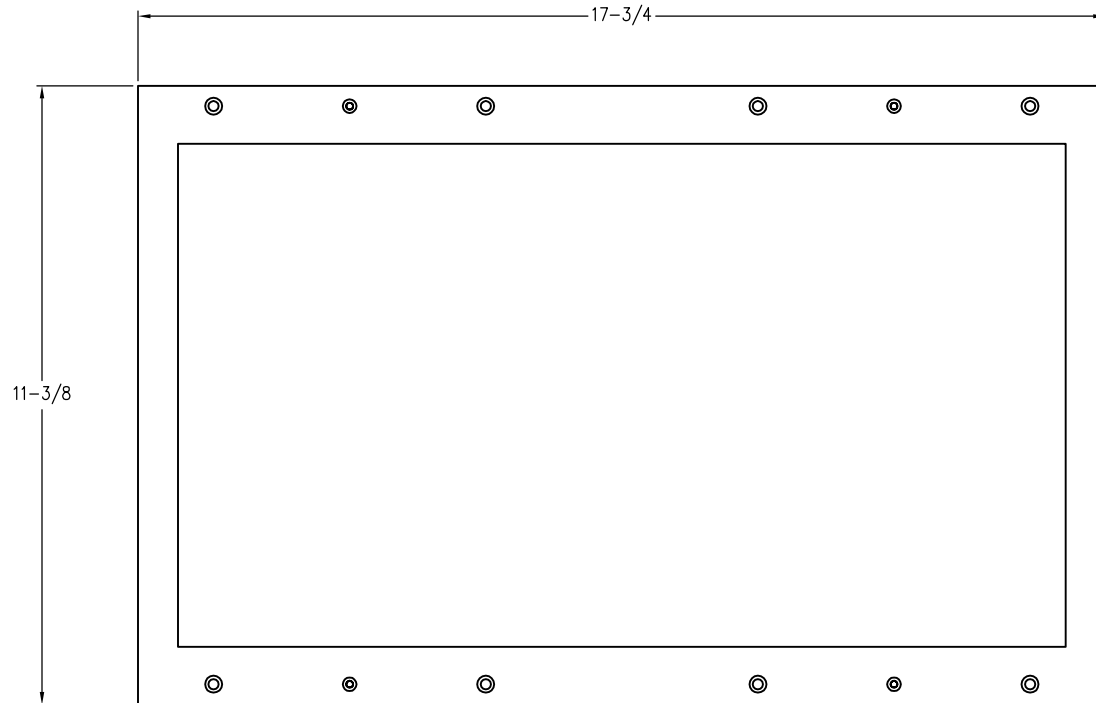
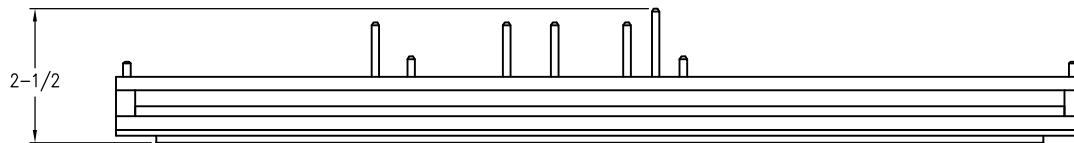


TO ORDER- EX185W-AA2X


"D"= HD DIGITAL SCREEN
 "A"= AUXILIARY PANEL LINK

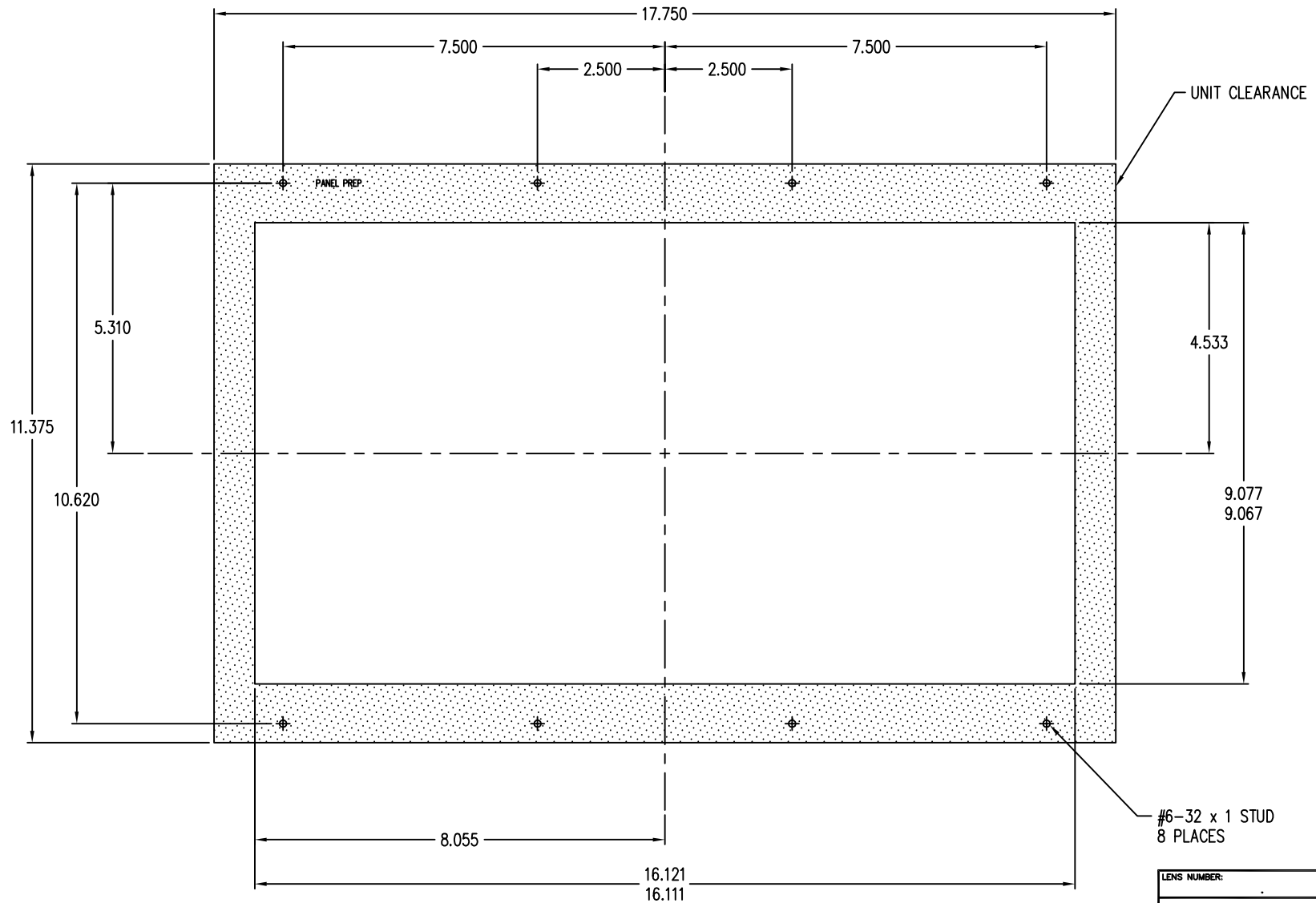
<BLANK>= LANDSCAPE
 "P"= PORTRAIT

RELATED DRAWINGS	
DESCRIPTION	DRAWING NAME
PANEL PREP.	PP185W-AA2
DETAIL DIM.	DD185W-AA2




LENS NUMBER:	BOARD # & REV:
APPROVED BY:	
Signature:	
Date:	
Company:	

DATE DRAWN: 12/15/2022	LAST DATE REVISED 1/5/2024	SCALE NTS	PART #
DRAWN BY: DJR	TOLERANCE UNLESS OTHERWISE SPECIFIED: .		 C.E. ELECTRONICS, INC. 2107 Industrial Drive Bryan, Ohio 43506 (419) 636-6705
REQUESTED BY: RNT	TOLERANCE FOR CUTOFF (WINDOW): .		
TITLE: EX185W-AA2 DIMENSIONAL DATA			DWG. NO. DD185W-AA2
			REV. A



3-1/4 UNIT DEPTH

LENS NUMBER:	BOARD # & REV:
APPROVED BY:	
Signature:	
Date: was Q9189001-1PP	
Company:	

DATE DRAWN: 12/15/2022	LAST DATE REVISED:	SCALE NTS	PART #
DRAWN BY: DJR	TOLERANCE UNLESS OTHERWISE SPECIFIED: ±.010		 C.E. ELECTRONICS, INC. 2107 Industrial Drive Bryan, Ohio 43506 (419) 636-6705
REQUESTED BY: RNT	TOLERANCE FOR CUTOUT (WINDOW):		
TITLE: 18.5W PANEL PREP			DWG. NO. PP185W-AA2