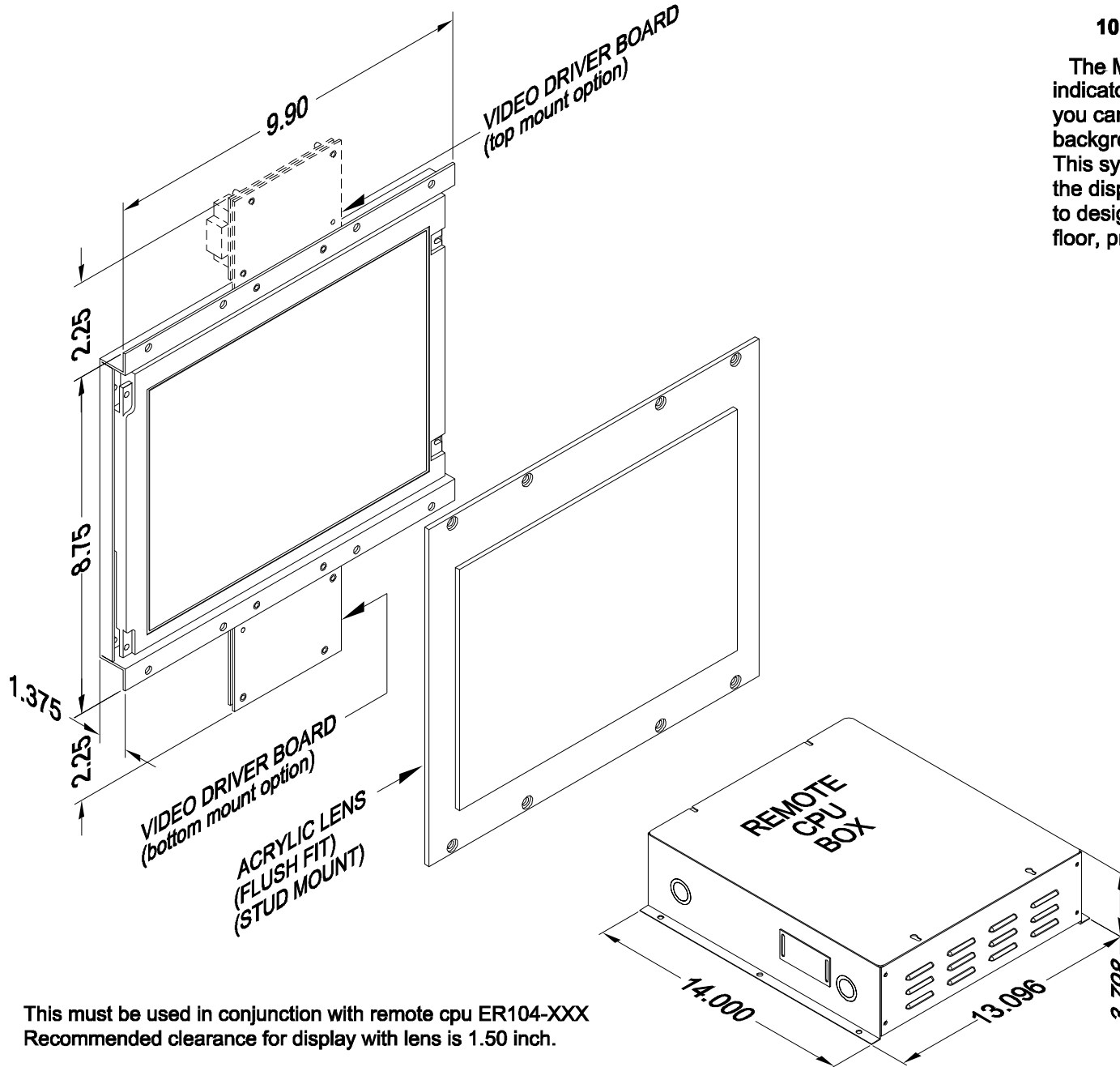




EX104-DX

Ver. 5 Rel. 10/16/2020

ELITE PI[®]



This must be used in conjunction with remote cpu ER104-XXX
 Recommended clearance for display with lens is 1.50 inch.

10.4 INCH Elite PI

The Micro Comm Elite PI is the most flexible position indicator available. With the Elite PI Designer software, you can customize your own position indicator by selecting background colors and textures, fonts, and arrow styles. This system is so flexible you can even determine where the display elements appear on the screen. In addition to design flexibility, the Micro Comm Elite PI can display floor, priority, and time-based messages.

Typical Applications

- Car-op panel
- Transom car
- Lobby

Features:

- Passing chime output
- Live video option
- Self testing
- Low profile
- Elite PI Designer software
- Elite PI Transfer software
- Multi-car capabilities for hallway use
- Video Driver Board can be mounted above or below the display.
- CPU Box can be up to 25 feet from screen.
- One remote cpu box can support 2 screens

TO ORDER: - EX104 - DX

SERIES:

"L" = MAIN

"A" = AUXILIARY DISPLAY

"R" = REMOTE

RELATED DRAWINGS	
DESCRIPTION	DRAWING NAME
PANEL PREP.	PP104-2
DETAIL DIM.	DD104-2