

EX104-DX

10.4" ELITE PI SERIES



ELITE PI

10.4" Elite PI

The MICRO COMM Elite PI is the most flexible position indicator available. With the Elite PI Designer software, you can customize your own position indicator by selecting background colors and textures, fonts, and arrow styles. This system is so flexible you can even determine where the display elements appear on the screen. In addition to design flexibility, the Micro Comm Elite PI can display floor, priority, and time-based messages.

TYPICAL APPLICATIONS:

- > Car operating panel
- > Car transom
- > Lobby

FEATURES:

- > Passing Chime Output
- > Live Video Option
- > Self Testing
- > Low Profile
- > Elite PI Designer software
- > Elite PI Transfer software
- > Multi-car capabilities for hallway use
- > Video Driver Board can be mounted above or below the display.
- > CPU Box can be up to 25 feet from screen
- > One remote CPU Box can support 2 screens



C.E. Electronics, Inc. (US) 2107 Industrial Drive, Bryan, Ohio 43506 p: 419.636.6705 www.ceelectronics.com

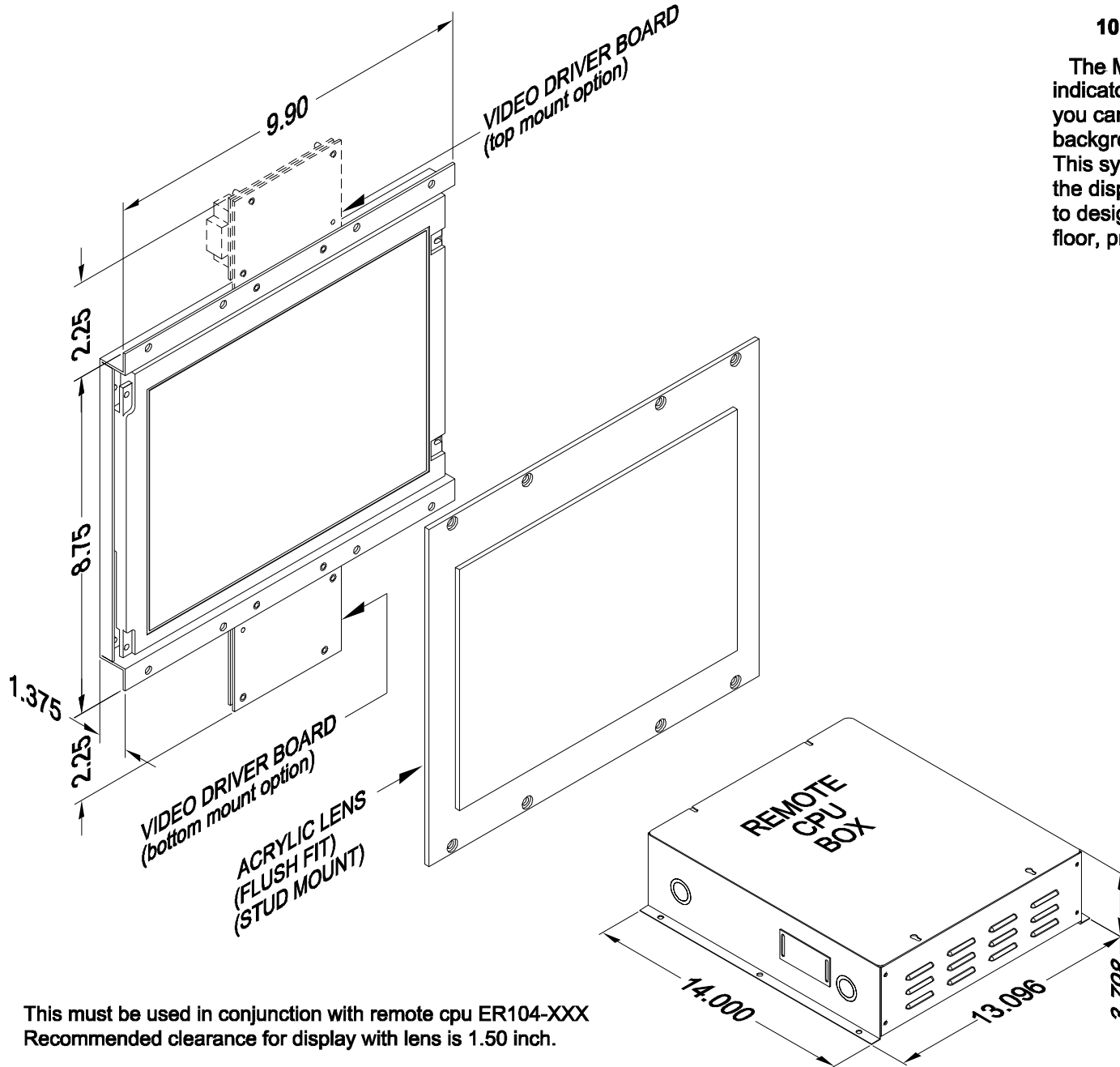
C.E. Electronics, Ltd. (UK) P.O. Box 1679 Marlow, Bucks SL7 3ZG, UK p: +44 (0) 1628 487633 www.ceelectronics.co.uk



EX104-DX

Ver. 5 Rel. 10/16/2020

ELITE PI®



This must be used in conjunction with remote cpu ER104-XXX
 Recommended clearance for display with lens is 1.50 inch.

10.4 INCH Elite PI

The Micro Comm Elite PI is the most flexible position indicator available. With the Elite PI Designer software, you can customize your own position indicator by selecting background colors and textures, fonts, and arrow styles. This system is so flexible you can even determine where the display elements appear on the screen. In addition to design flexibility, the Micro Comm Elite PI can display floor, priority, and time-based messages.

Typical Applications

- Car-op panel
- Transom car
- Lobby

Features:

- Passing chime output
- Live video option
- Self testing
- Low profile
- Elite PI Designer software
- Elite PI Transfer software
- Multi-car capabilities for hallway use
- Video Driver Board can be mounted above or below the display.
- CPU Box can be up to 25 feet from screen.
- One remote cpu box can support 2 screens

TO ORDER: - EX104 - DX

SERIES:

"L" = MAIN

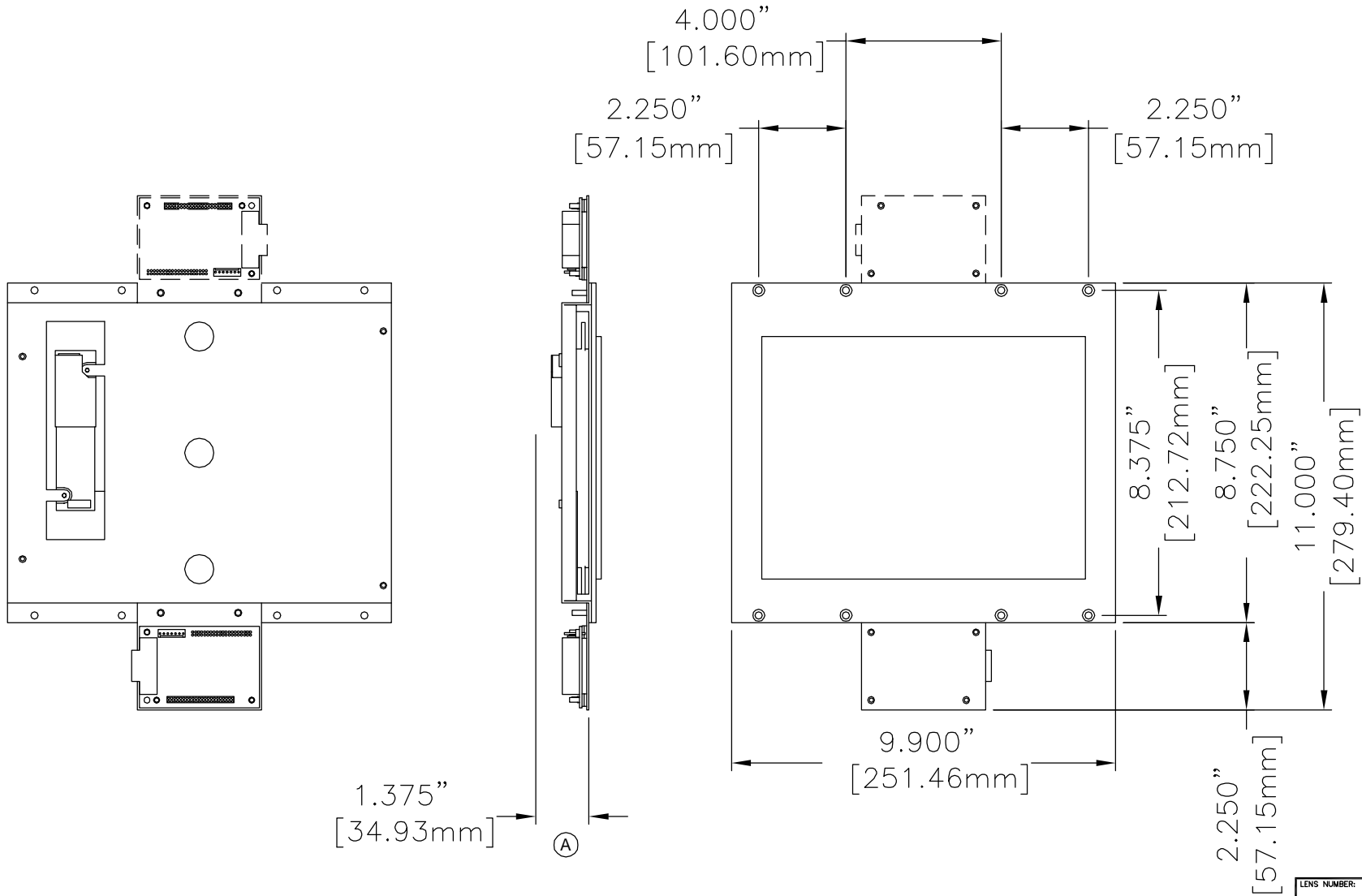
"A" = AUXILIARY DISPLAY

"R" = REMOTE

RELATED DRAWINGS	
DESCRIPTION	DRAWING NAME
PANEL PREP.	PP104-2
DETAIL DIM.	DD104-2

DD104-2

Ver. 1 Rel. 01/25/06



NOTES:

STANDARD 10.4 TFT UNIT:

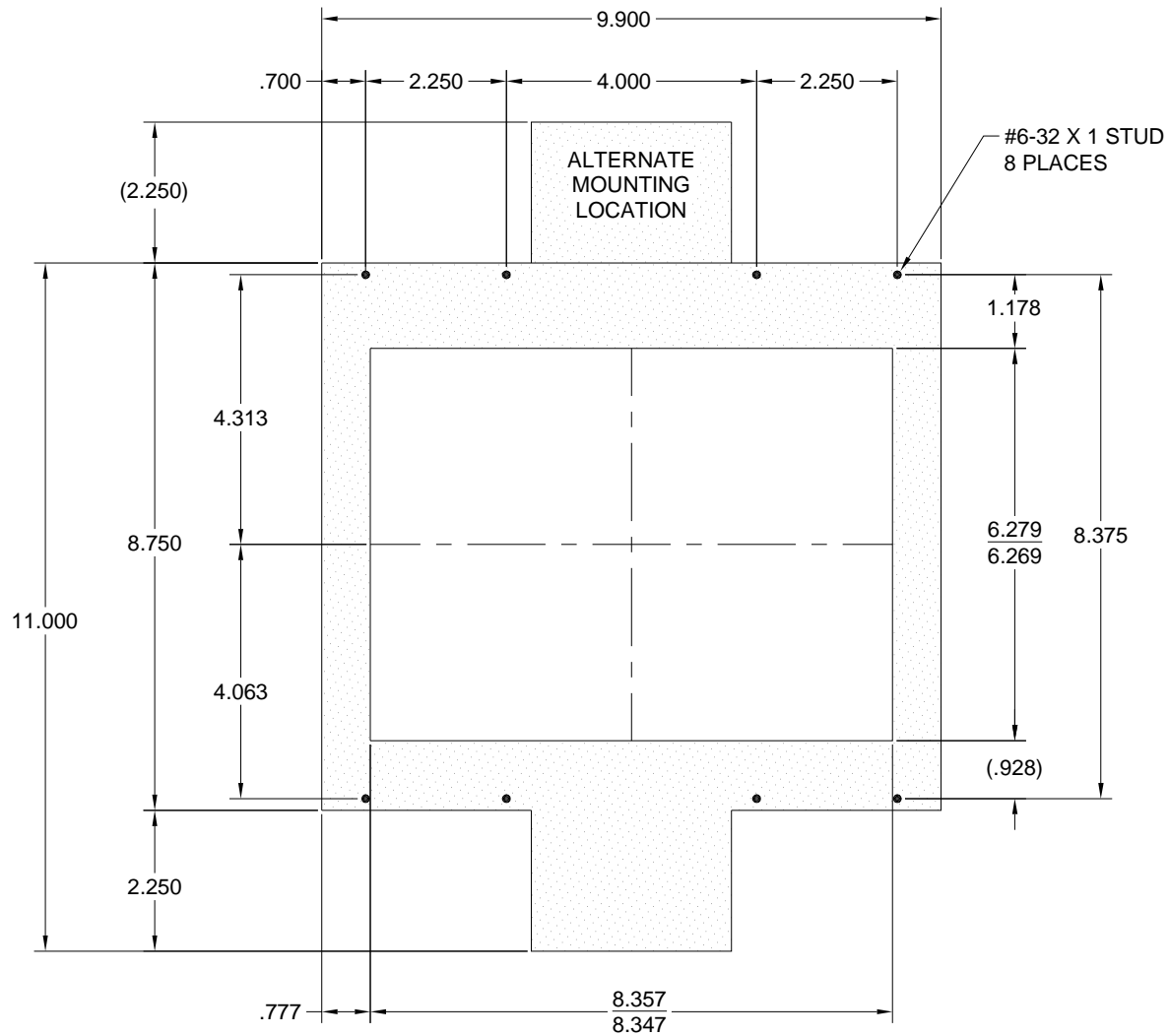
- Ⓐ Recommended minimum depth with basic unit of at least 1.500" [38.10mm] with a standard 1/8" step lens.

LENS NUMBER:	BOARD # & REV:
APPROVED BY:	
Signature: _____	
Date: _____	
Company: _____	

DATE DRAWN:	LAST DATE REVISED:	SCALE: NONE	PART #:
DRAWN BY: D.W.S.	TOLERANCE UNLESS OTHERWISE SPECIFIED: +0.015, -0.015	C.E. ELECTRONICS, INC. 2107 Industrial Drive Bryan, Ohio 43506 (419) 636-6705	
REQUESTED BY:	TOLERANCE FOR CUTOUT (WINDOW): +0.020, -0.000		
TITLE:	DWG. NO. DD104-2	REV:	


PP104-2

Ver. 3 Rel. 1/25/2017



AS VIEWED FROM FRONT

LENS NUMBER:	BOARD # & REV:
APPROVED BY:	
Signature: _____	
Date: _____	
Company: _____	

DATE DRAWN: 1/04/06	LAST DATE REVISED:	SCALE: NONE	PART #:
DRAWN BY: D.W.S.	TOLERANCE UNLESS OTHERWISE SPECIFIED: ±.015		 C.E. ELECTRONICS, INC. 2107 Industrial Drive Bryan, Ohio 43506 (419) 636-6705
REQUESTED BY: T.E.	TOLERANCE FOR CUTOUT (WINDOW):		
TITLE:	DWG. NO. PP104-2	REV:	



C.E. Electronics, Inc.
 2107 Industrial Drive
 Bryan, OH 43506
 PH (419) 636-6705 FX (419) 636-2516
 www.cseelectronics.com

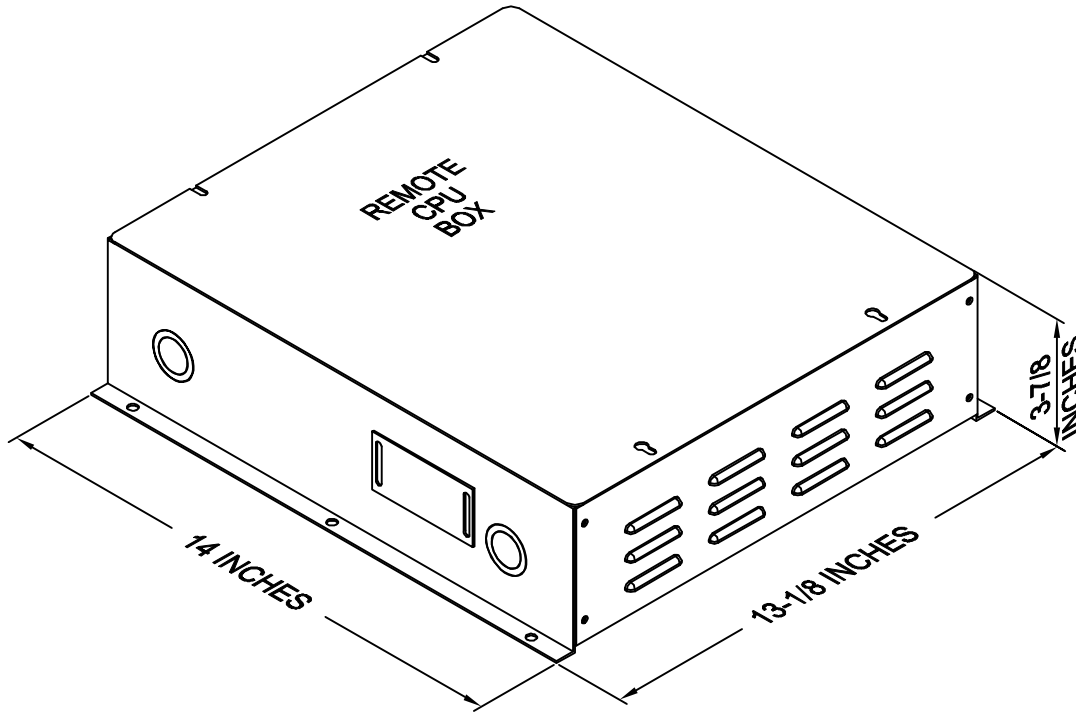
ERXXX-LXX2

Ver. 1 Rel. 11/21/2022

ELITE PI®

REMOTE CPU BOX

This CPU Box was designed to provide outputs for auxiliary displays that can drive and assist our Elite PI's. This unit can be a solution for elevator cabs that either are having issues with a restricted space or for multi-car capabilities for hallway use. The system can be centrally located up to 25 feet from the screens. One remote CPU can drive up to 2 screens at once.



Typical Applications

- Used for visual signaling of remote LIQUID CRYSTAL DISPLAY (LCD)
- Used on car top and/or hoistway
- Operating Auxiliary screen

Features:

- Live video (optional)
- Self testing
- Elite PI Designer software
- Elite PI Transfer software
- Multi-car capabilities for hallway use
- CPU Box can be up to 25 feet from screen.
- One remote CPU box can support 2 screens
- MICRO COMM serial link input

TO ORDER: - ERXXX - L X X 2

SCREEN SIZE:

- "090" = 9.0
- "104" = 10.4
- "121" = 12.1
- "150" = 15.0

SCREEN ORIENTATION:

- "H" = HORIZONTAL (Landscape)
- "V" = VERTICAL (Portrait)

CONFIGURED AT FACTORY