

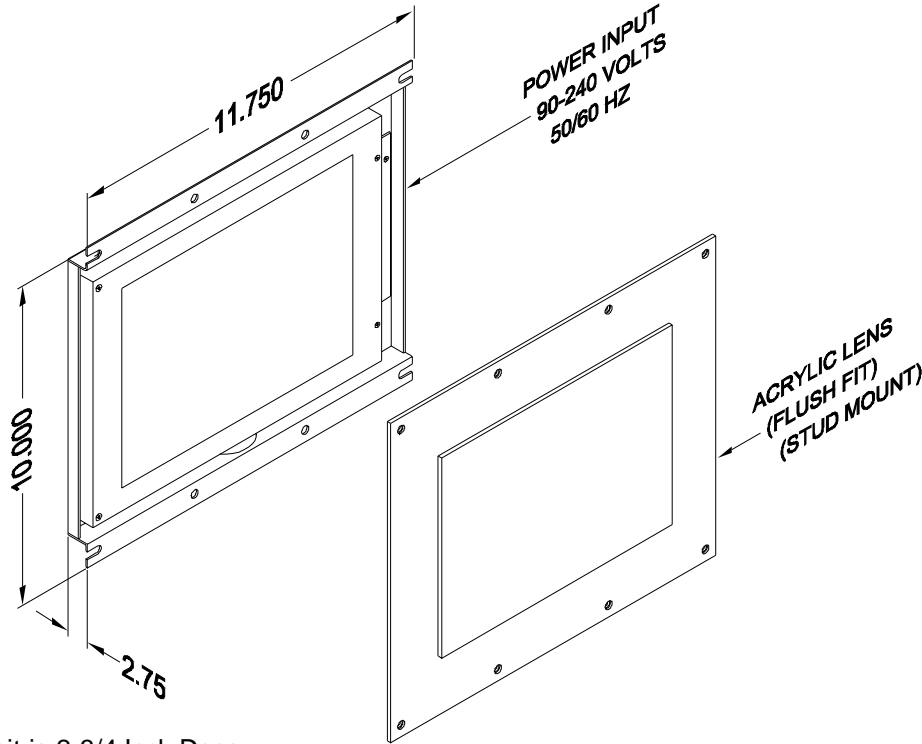


C.E. Electronics, Inc.
 2107 Industrial Drive
 Bryan, OH 43506
 PH (419) 636-6705 FX (419) 636-2516
 www.ccelectronics.com

EX104-CX2

Ver. 8 Rel. 11/21/2022

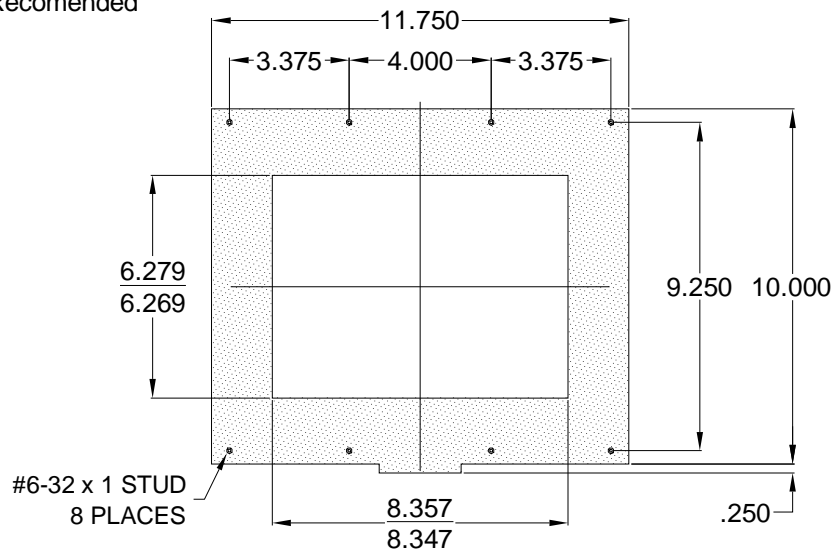
ELITE PI[®]



Unit is 2-3/4 Inch Deep

3-1/2 Inch Box Depth Recommended

AS VIEWED FROM FRONT



10.4 INCH Elite PI

The Micro Comm Elite PI is the most flexible position indicator available. With the Elite PI Designer software, you can customize your own position indicator by selecting background colors and textures, fonts, and arrow styles. This system is so flexible you can even determine where the display elements appear on the screen. In addition to design flexibility, the Micro Comm Elite PI can display floor, priority, and time-based messages.

Typical Applications

- Car operating panel
- Car transom
- Lobby

Features:

- Standard Elite has streaming video capabilities with an HDINT video encoder
- Passing chime output
- Live video (optional)
- Self testing
- Low profile
- Elite PI Designer software
- Elite PI Transfer software
- Multi-car capabilities for hallway use
- MICRO COMM serial link input

TO ORDER: - EX104 - CX2

SERIES:

"L" = STANDARD

"A" = AUXILIARY PANEL LINK

RELATED DRAWINGS	
DESCRIPTION	DRAWING NAME
PANEL PREP.	PP104-1
DETAIL DIM.	DD104-1