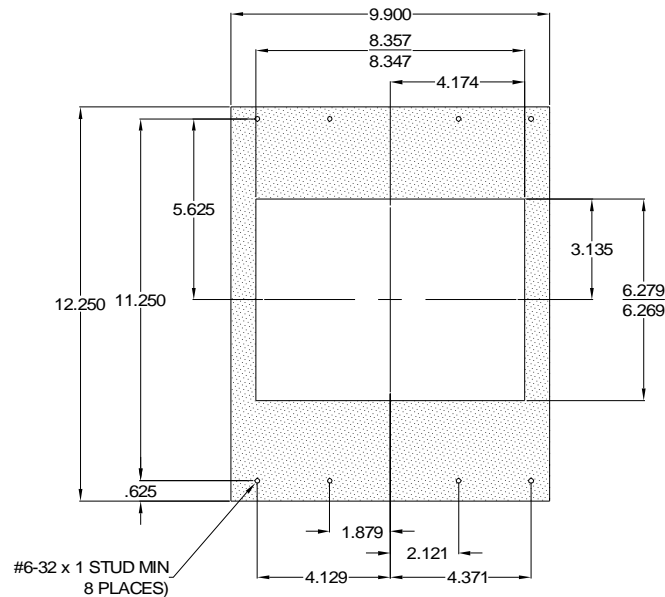


Unit is 2.8 Inch Deep

3-1/2 Inch Box Depth Recommended

**AS VIEWED FROM FRONT**  
 NOTE: NOT SYMETRICAL UNIT



## 10.4 INCH Elite PI

The Micro Comm Elite PI is the most flexible position indicator available. With the Elite layout software, you can customize your own position indicator by selecting background colors and textures, fonts, and arrow styles. This system is so flexible you can even determine where the display elements appear on the screen. In addition to design flexibility, the Micro Comm Elite PI can display floor, priority, and time-based messages.

### Typical Applications

- Car-op panel
- Transom car or hub

### Features:

- Standard Elite has streaming video capabilities with an HDINT video encoder
- Passing chime output
- Live video option
- Self testing
- Low profile
- Elite designer software
- Elite transfer software
- Multi-car capabilities for hallway use
- MICRO COMM serial link input

**TO ORDER: - EX104 - B X2**

SERIES:

"L" = MAIN

"A" = AUXILIARY PANEL LINK

### RELATED DRAWINGS

DESCRIPTION	DRAWING NAME
PANEL PREP.	PP104-4
DETAIL DIM.	DD104-4