

> EV310-XXXXX

30mm [1"] CHARACTERS



EUROPEAN DOT MATRIX LED

Dot Matrix LED digital indicator for floor position display, as well as car direction, if desired. Any alphanumeric or custom character can be displayed in either single digit with separate "UP" and "DOWN" arrows. Double digit with single "UP/DOWN" arrow, or triple floor designations.

TYPICAL APPLICATIONS:

- > Car-OP Panel
- > Transom-car or Hall

FEATURES:

- > Low cost design
- > Self contained unit
- > Latched input
- > Scrolling & roll over
- > Hall lantern option
- > Passing chime output
- > Self Testing
- > Message inputs
- > Error detection and correction feature



C.E. Electronics, Inc.
C.E. Electronics, Ltd.
International Lift Equipment (ILE)

2107 Industrial Drive Bryan, OH 43506
Marlow, Bucks, UK
Highams Park, London, UK

ph: 419.636.6705
ph: +44 (0) 1628 487633
ph: 0208 527 9669

www.cееlectronics.com
www.cееlectronics.co.uk
www.ileweb.com

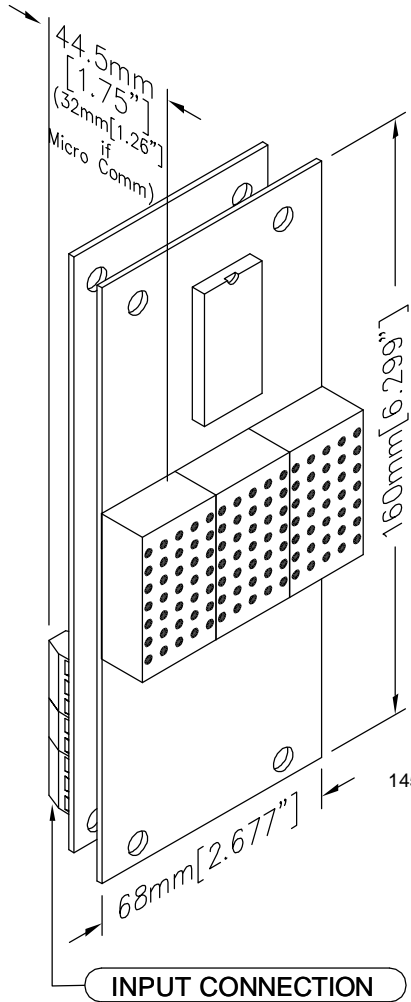




EV310-XXXX

Ver. 4 Rel. 11/25/08

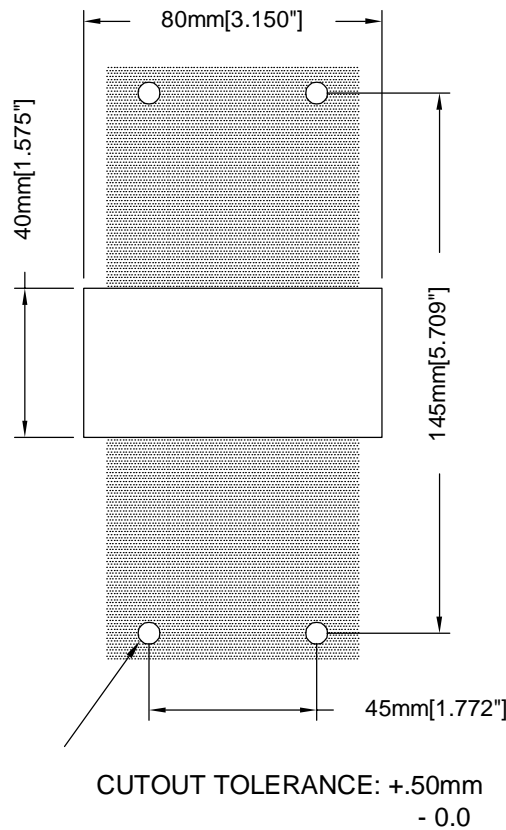
EUROPEAN
 SERIES



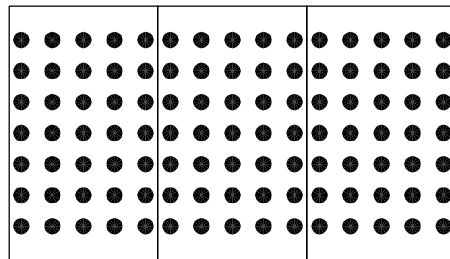
M3 x 40 STUD AT
 145mm x 45mm PITCH

SCREW TYPE INPUT CONNECTOR
 12-24VAC/DC INPUT POWER
 AND SIGNAL INPUTS

PANEL PREPARATION



CUTOUT TOLERANCE: +.50mm
 - 0.0



30mm [1"] CHARACTERS

DOT MATRIX

Dot Matrix LED Digital Indicator for floor position display, as well as car direction, if desired. Any alphanumeric or custom character can be displayed in either single digit with separate "UP" and "DOWN" arrows. Double digit with single "UP/DOWN" arrow, or triple digit floor designations.

Typical Applications:

- Car-OP Panel
- Transom-car or Hall

Features:

- Low cost design
- Self contained unit
- Latched inputs
- Scrolling & roll over
- Hall lantern option
- Passing chime output
- Self Testing
- Message inputs
- Error detection and correction feature

RENEWAL PARTS

Lens: 104-5655 RED
 Lens: 104-6112 GRAY

TO ORDER - SPECIFY EV310 - X X X X X

COLOR:

- "R" = RED
- "A" = AMBER
- "G" = GREEN
- "M" = MIXED

LENS:

- "R" = RED
- "G" = GRAY
- "X" = NO LENS

NUMBER OF INPUTS:

- "1" = 8 INPUTS
- "2" = 15 INPUTS
- "M" = MICRO COMM 3 WIRE INPUT *
- "P" = MICRO COMM INPUT W/ PASSING CHIME *
- "S" = BOTH DIRECT & MICRO COMM INPUT

SIGNAL VOLTAGE:

- "A" = POSITIVE 6-20VDC, 6-24VAC
- "B" = POSITIVE 24-48VDC, 24-48VAC
- "C" = 120VAC
- "D" = POSITIVE 125VDC
- "E" = NEGATIVE 6-20VDC
- "F" = NEGATIVE 24-48VDC
- "G" = NEGATIVE 125VDC
- "X" = IF MICRO COMM

SIGNAL FORMAT:

- "1" = SINGLE LINE/FLOOR
- "2" = BINARY
- "4" = GRAY CODE
- "6" = SPECIAL
- "X" = NO SELECTION

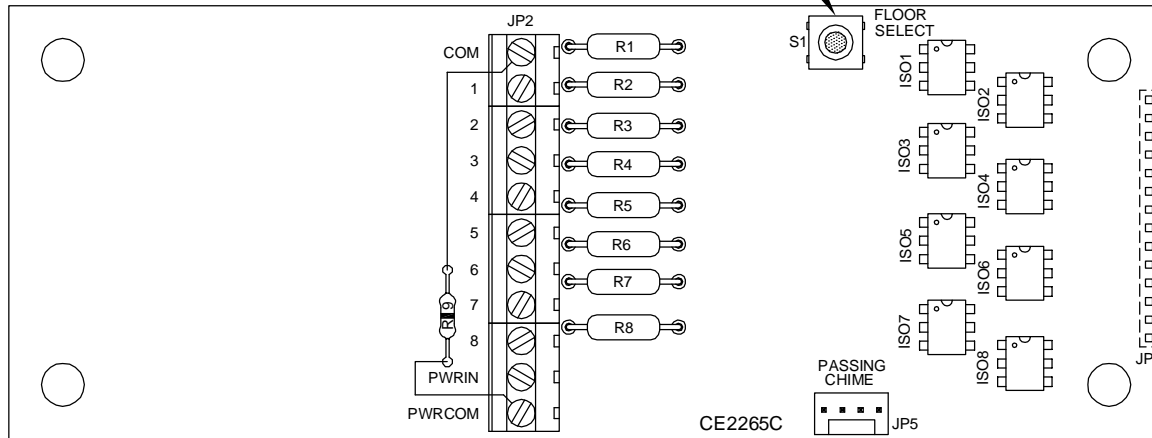
NOTE:

1. If a special voltage is required, please consult factory.
2. A supply of 12-24VAC/DC positive or negative is also required.
- *3. This is not a stand alone unit. Must be used in conjunction with a Micro Comm interface.

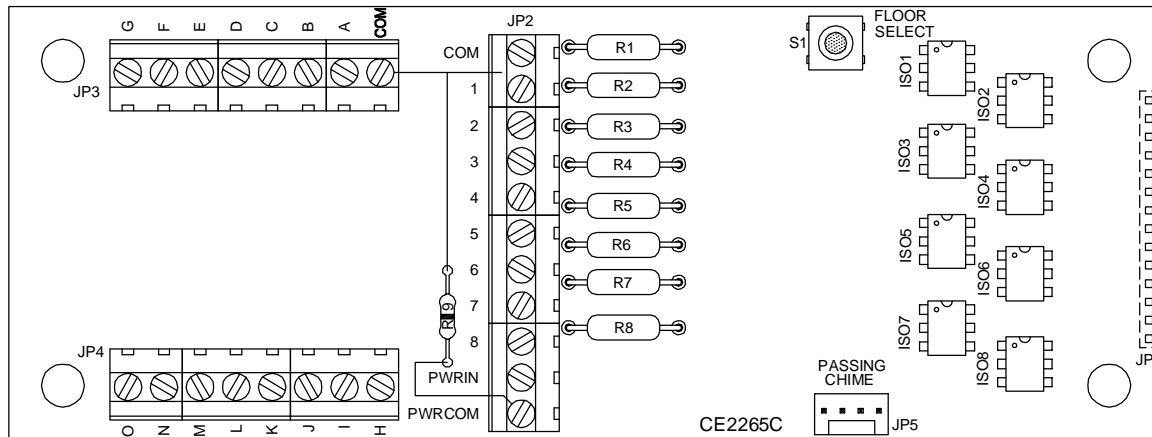
EURO DM DRIVER BOARD

JOB# _____

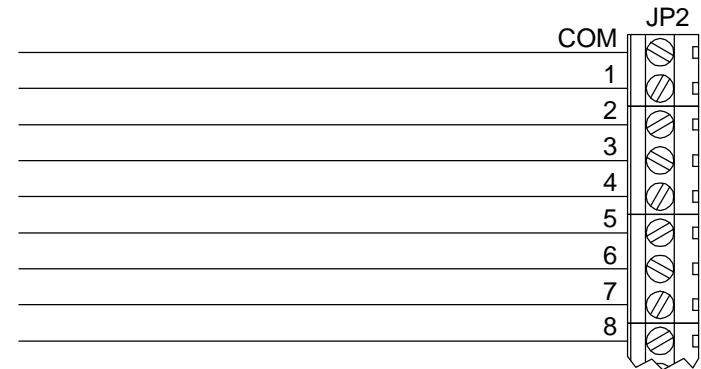
SEE THE DISPLAY DIAGRAM FOR INSTRUCTIONS ON USING FLOOR SELECT SWITCH S1. S1 ON THE DRIVER BOARD AND S2 ON THE DISPLAY BOARD SERVE THE SAME PURPOSE; USE EITHER ONE.



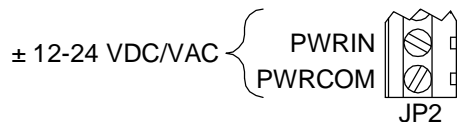
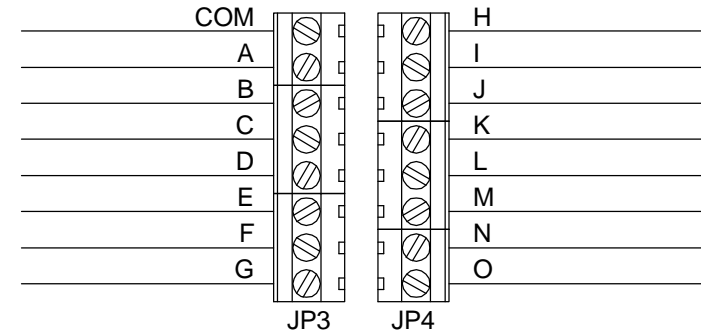
8-INPUT DRIVER BOARD



15-INPUT DRIVER BOARD



NOTE: THE COMMONS ON JP2 AND JP3 ARE TIED TOGETHER ON THE BOARD. ZERO OHM RESISTOR R9 IS USED TO TIE THE POWER COMMON TO THE FLOOR INPUT COMMON.



**SIGNAL
VOLTAGE**
(FROM CONTROLLER)

**SIGNAL
COMMON**

BOARD VERSION CE2265 ____

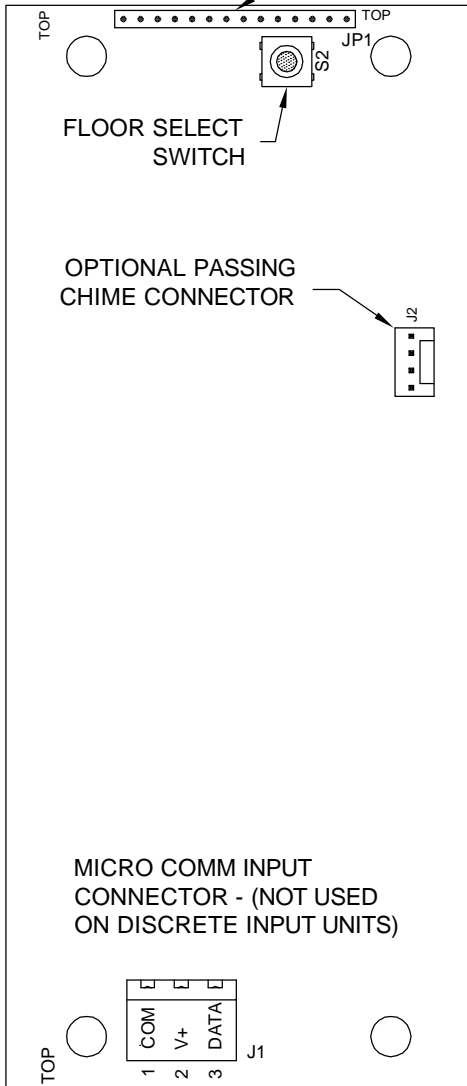
DATE DRAWN: 08/04/05	DRAWN BY: DAC	REQUESTED BY: DV	 C.E. ELECTRONICS, INC. 2107 Industrial Drive Bryan, Ohio 43506 (419) 636-8705
BOARD NUMBER: 2265	LAST DATE REVISED: 11/01/10	APPROVED BY:	
PRODUCT EURO DM DISCRETE DRIVER BOARD			
DWG. NO. EURODM 04			REV. A

EV310 EURO DM DISPLAY

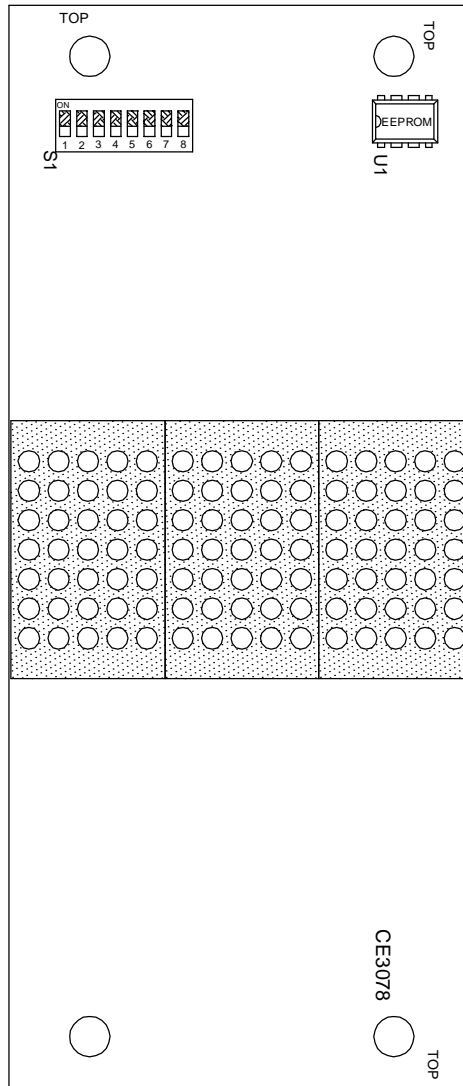
CE3078 DISPLAY BOARD

JOB# _____

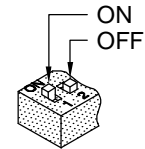
DRIVER BOARD CONNECTOR -
(NOT USED ON MICRO COMM UNITS)



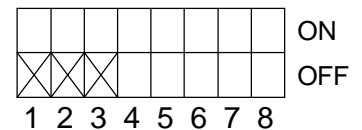
CE3078 BACK VIEW



SELF-TEST }
REDUNDANCY }
FIRE ALT BLANK }
FIRE MAIN BLANK }
UP/DN ROLL RATE }
SIDE SCROLL RATE



DEFAULT SETTINGS



S2 FLOOR SELECT SWITCH - SETS THE DISPLAY TO SHOW AN ARRIVAL ARROW WHEN THE CAR IS AT A SPECIFIC FLOOR. TO SET THE UNIT FOR ARRIVAL MODE, POSITION THE CAR AT THE DESIRED FLOOR OR TURN ON SELF-TEST. WHEN THE DISPLAY SHOWS THE DESIRED FLOOR, PRESS AND HOLD S2 UNTIL THE FLOOR POSITION CHANGES TO AN ARROW. TO RETURN TO NORMAL OPERATION, PRESS AND HOLD S2 UNTIL THE ARROW CHANGES TO THE FLOOR POSITION.

CODE VERSION _____

BOARD VERSION CE3078 ____

DATE DRAWN: 08/05/05	DRAWN BY: DAC	REQUESTED BY: DV	<p>C.E. ELECTRONICS, INC. 2107 Industrial Drive Bryan, Ohio 43506 (419) 636-6705</p>
BOARD NUMBER: 3078	LAST DATE REVISED: 11/01/10	APPROVED BY:	
PRODUCT: EV310 EURO DM DISPLAY			
DWG. NO.: EUROMD_07			REV: A