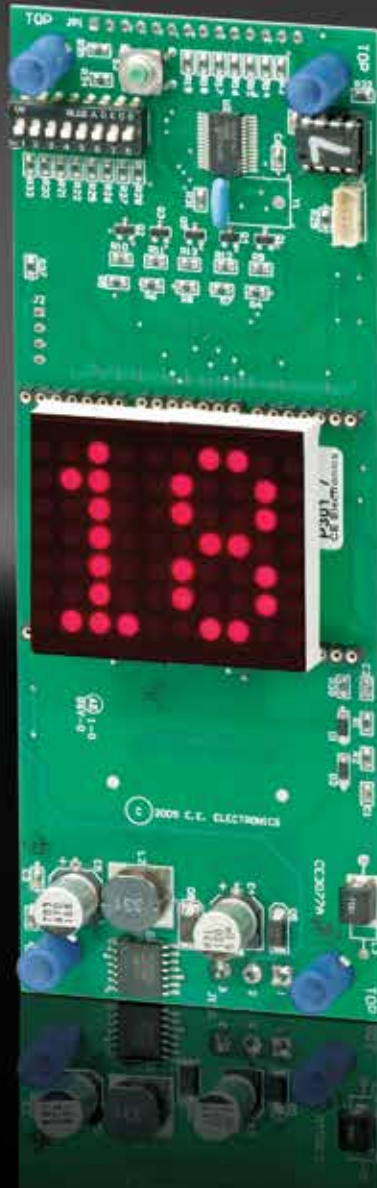


# EV210-XXXXX

30mm [1"] CHARACTERS



## EUROPEAN DOT MATRIX LED

Dot Matrix LED digital indicator for floor position display, as well as car direction, if desired. Any alphanumeric or custom character can be displayed in either single digit with arrow or double digit floor designations.

### TYPICAL APPLICATIONS:

- > Car-OP Panel
- > Transom-car or Hall

### FEATURES:

- > Low cost design
- > Self contained unit
- > Latched input
- > Scrolling & roll over
- > Hall lantern option
- > Passing chime output
- > Self Testing
- > Message inputs
- > Error detection and correction feature



**C.E. Electronics, Inc.**  
C.E. Electronics, Ltd.  
International Lift Equipment (ILE)

2107 Industrial Drive Bryan, OH 43506  
Marlow, Bucks, UK  
Highams Park, London, UK

ph: 419.636.6705

ph: +44 (0) 1628 487633  
ph: 0208 527 9669

[www.cееlectronics.com](http://www.cееlectronics.com)

[www.cееlectronics.co.uk](http://www.cееlectronics.co.uk)  
[www.ileweb.com](http://www.ileweb.com)





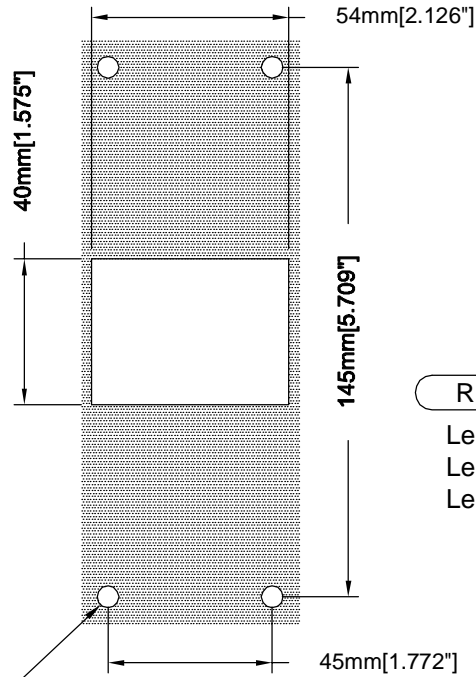
C.E. Electronics, Inc.  
 2107 Industrial Drive  
 Bryan, OH 43506  
 PH (419) 636-6705 FX (419) 636-2516  
 www.cseelectronics.com

# EV210-XXXX

Ver. 6 Rel. 04/20/10

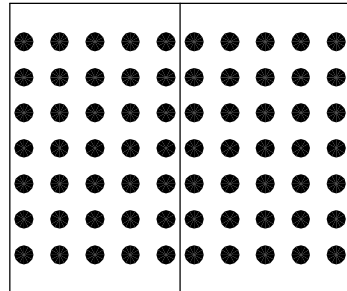
EUROPEAN  
 SERIES

## PANEL PREPARATION

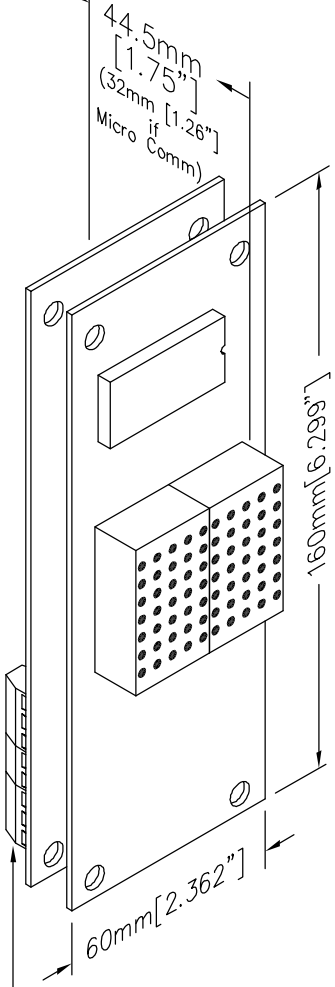


M3 x 40 STUD AT  
 145mm x 45mm PITCH

CUTOUT TOLERANCE: +.50mm  
 - 0.0



30mm [1"] CHARACTERS



## INPUT CONNECTION

SCREW TYPE INPUT CONNECTOR  
 12-24VAC/DC INPUT POWER  
 AND SIGNAL INPUTS

### NOTE:

1. If a special voltage is required, please consult factory.
2. A supply of 12-24VAC/DC positive or negative is also required.

\*3. This is not a stand alone unit.

Must be used in conjunction with a Micro Comm interface.

\*4. Blue can not be mixed with other colors

## RENEWAL PARTS

- Lens: 104-5574 RED
- Lens: 104-6106 GRAY
- Lens: 104-9106 BLUE

## DOT MATRIX

Dot Matrix LED Digital Indicator for floor position display, as well as car direction, if desired. Any alphanumeric or custom character can be displayed in either single digit with arrow or double digit floor designations.

### Typical Applications:

- Car-OP Panel
- Transom-car or Hall

### Features:

- Low cost design
- Self contained unit
- Latched input
- Scrolling & roll over
- Hall lantern option
- Passing chime output
- Self Testing
- Message inputs
- Error detection and correction feature

TO ORDER - SPECIFY EV210 - X X X X X

### COLOR:

- "R" = RED
- "A" = AMBER
- "G" = GREEN
- "B" = BLUE \*
- "M" = MIXED

### LENS:

- "R" = RED
- "G" = GRAY
- "B" = BLUE
- "X" = NO LENS

### NUMBER OF INPUTS:

- "1" = 8 INPUTS
- "2" = 15 INPUTS
- "M" = MICRO COMM 3 WIRE INPUT \*
- "P" = MICRO COMM INPUT W/ PASSING CHIME \*
- "S" = BOTH DIRECT & MICRO COMM INPUT

### SIGNAL VOLTAGE:

- "A" = POSITIVE 6-20VDC, 6-24VAC
- "B" = POSITIVE 24-48VDC, 24-48VAC
- "C" = 120VAC
- "D" = POSITIVE 125VDC
- "E" = NEGATIVE 6-20VDC
- "F" = NEGATIVE 24-48VDC
- "G" = NEGATIVE 125VDC
- "X" = IF MICRO COMM

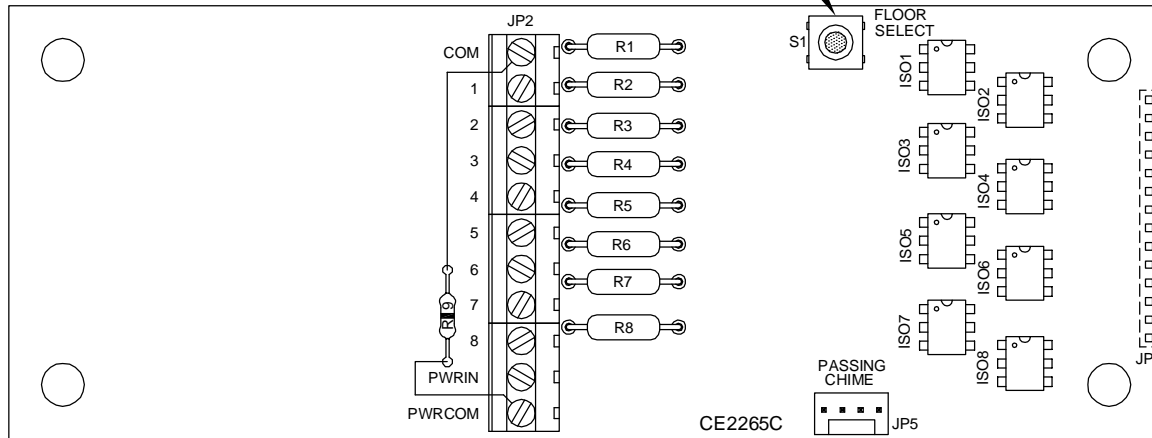
### SIGNAL FORMAT:

- "1" = SINGLE LINE/FLOOR
- "2" = BINARY
- "4" = GRAY CODE
- "6" = SPECIAL
- "X" = NO SELECTION

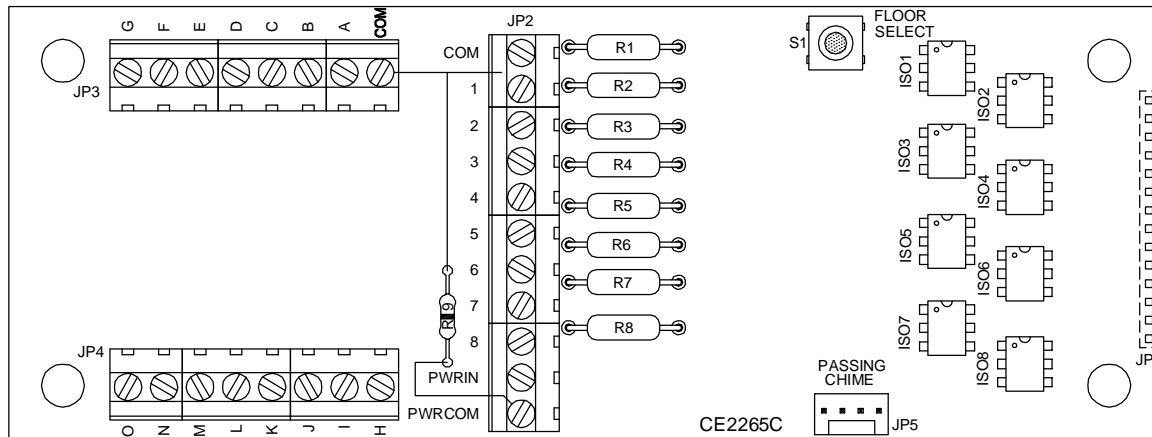
# EURO DM DRIVER BOARD

JOB# \_\_\_\_\_

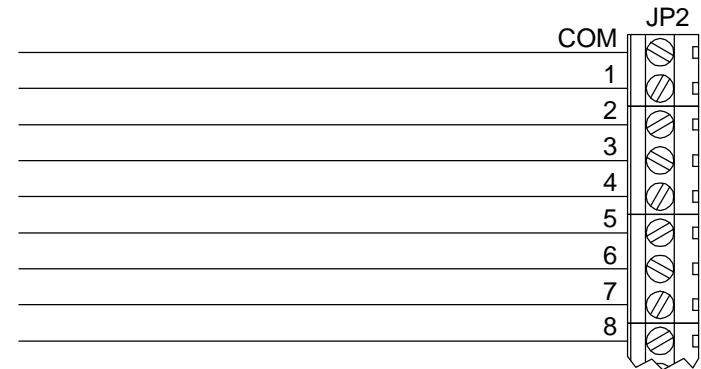
SEE THE DISPLAY DIAGRAM FOR INSTRUCTIONS ON USING FLOOR SELECT SWITCH S1. S1 ON THE DRIVER BOARD AND S2 ON THE DISPLAY BOARD SERVE THE SAME PURPOSE; USE EITHER ONE.



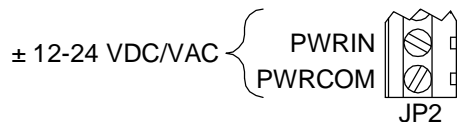
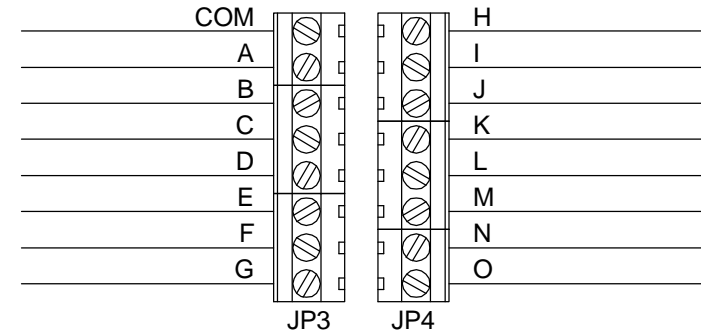
8-INPUT DRIVER BOARD



15-INPUT DRIVER BOARD



NOTE: THE COMMONS ON JP2 AND JP3 ARE TIED TOGETHER ON THE BOARD. ZERO OHM RESISTOR R9 IS USED TO TIE THE POWER COMMON TO THE FLOOR INPUT COMMON.



**SIGNAL VOLTAGE**  
(FROM CONTROLLER)

**SIGNAL COMMON**

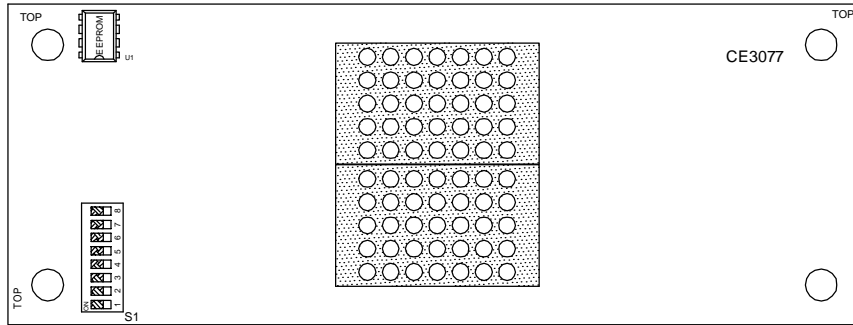
BOARD VERSION CE2265 \_\_\_\_

DATE DRAWN: 08/04/05	DRAWN BY: DAC	REQUESTED BY: DV	 C.E. ELECTRONICS, INC. 2107 Industrial Drive Bryan, Ohio 43506 (419) 636-8705
BOARD NUMBER: 2265	LAST DATE REVISED: 11/01/10	APPROVED BY:	
PRODUCT EURO DM DISCRETE DRIVER BOARD			
DWG. NO.: EURODM 04			REV: A

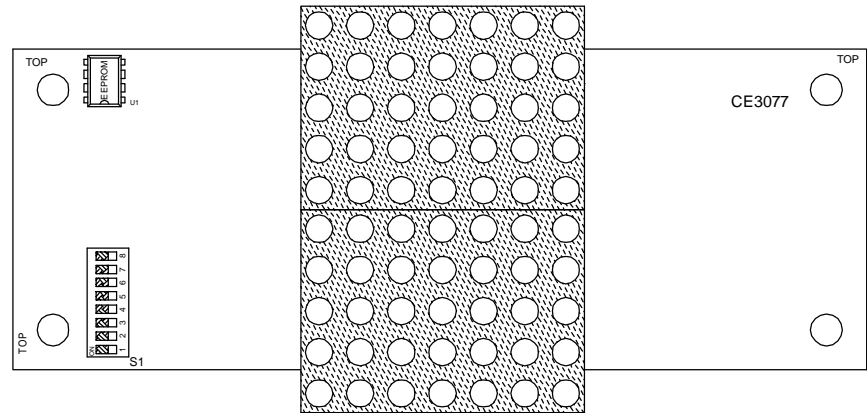
# EURO DM TWO-CUBE DISPLAYS

JOB# \_\_\_\_\_

## CE3077 DISPLAY BOARD



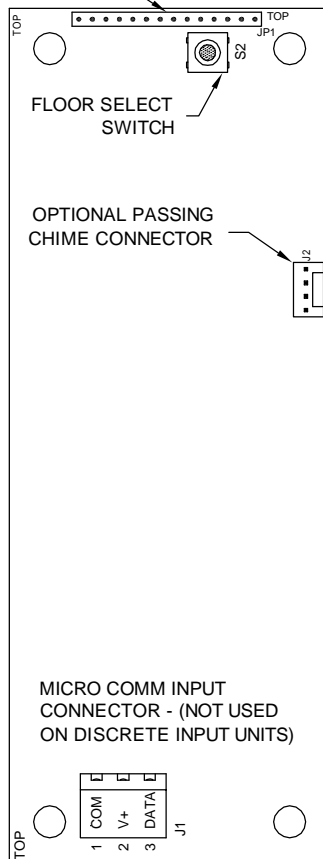
EH115



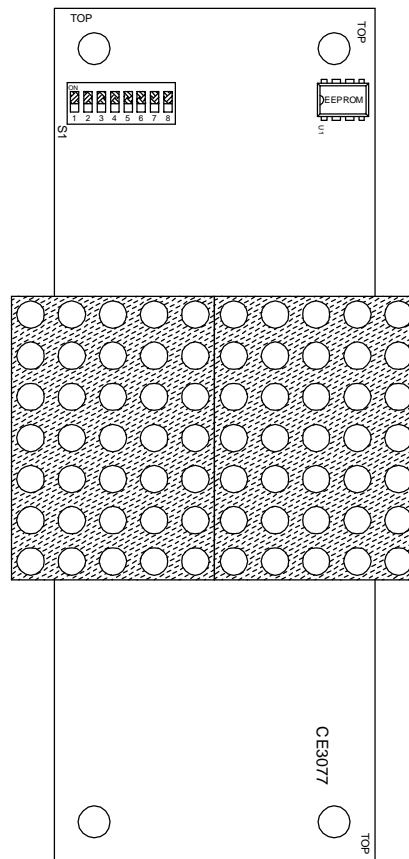
EH130

DRIVER BOARD CONNECTOR -  
(NOT USED ON MICRO COMM UNITS)

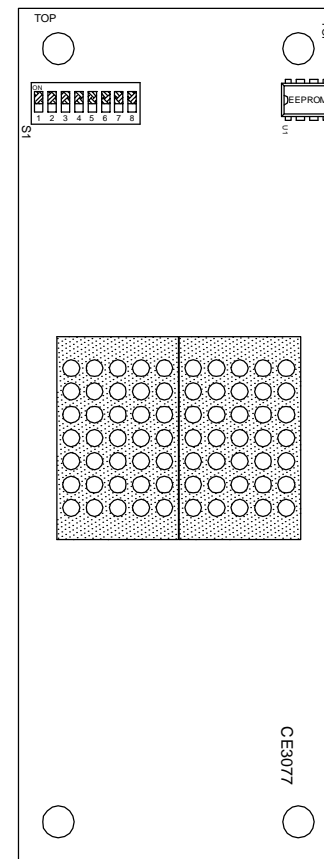
S2 FLOOR SELECT SWITCH -  
SETS THE DISPLAY TO  
SHOW AN ARRIVAL ARROW  
WHEN THE CAR IS AT A  
SPECIFIC FLOOR. TO SET  
THE UNIT FOR ARRIVAL  
MODE, POSITION THE CAR  
AT THE DESIRED FLOOR OR  
TURN ON SELF-TEST. WHEN  
THE DISPLAY SHOWS THE  
DESIRED FLOOR, PRESS  
AND HOLD S2 UNTIL THE  
FLOOR POSITION CHANGES  
TO AN ARROW. TO RETURN  
TO NORMAL OPERATION,  
PRESS AND HOLD S2 UNTIL  
THE ARROW CHANGES TO  
THE FLOOR POSITION.



CE3077 BACK VIEW



EV220

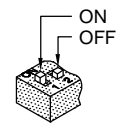


EV210

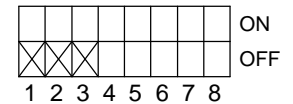
### DIP SWITCH DETAIL



SELF-TEST  
REDUNDANCY  
FIRE - ALT BLANK  
FIRE MAIN BLANK  
UP/DN ROLL RATE  
SIDE SCROLL RATE




### DEFAULT SETTINGS



CODE VERSION \_\_\_\_\_

BOARD VERSION CE3077 \_\_\_\_

DATE DRAWN: 08/04/05	DRAWN BY: DAC	REQUESTED BY: DV	 <b>C.E. ELECTRONICS, INC.</b> 2107 Industrial Drive Bryan, Ohio 43506 (419) 636-8705
BOARD NUMBER: 3077	LAST DATE REVISED: -	APPROVED BY:	
PRODUCT EURO DOT MATRIX TWO-CUBE DISPLAYS			
DWG. NO. <b>EURODM 06</b>			REV. <b>-</b>