

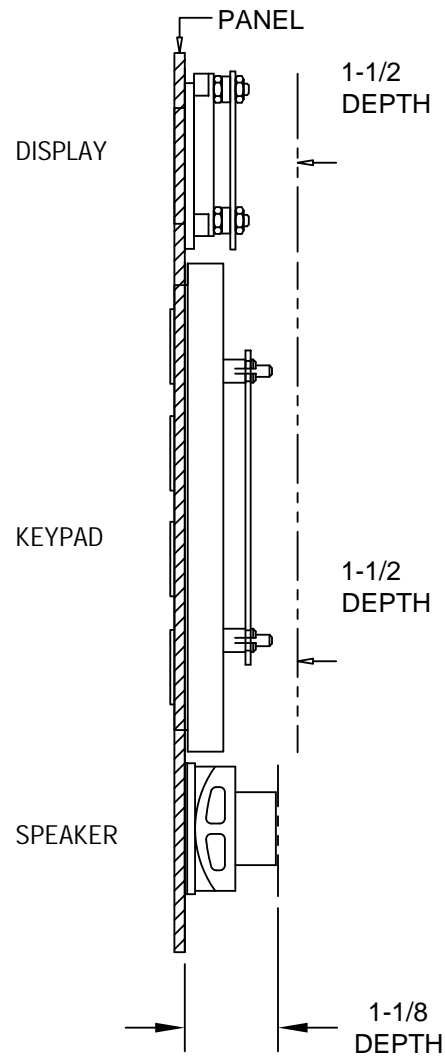
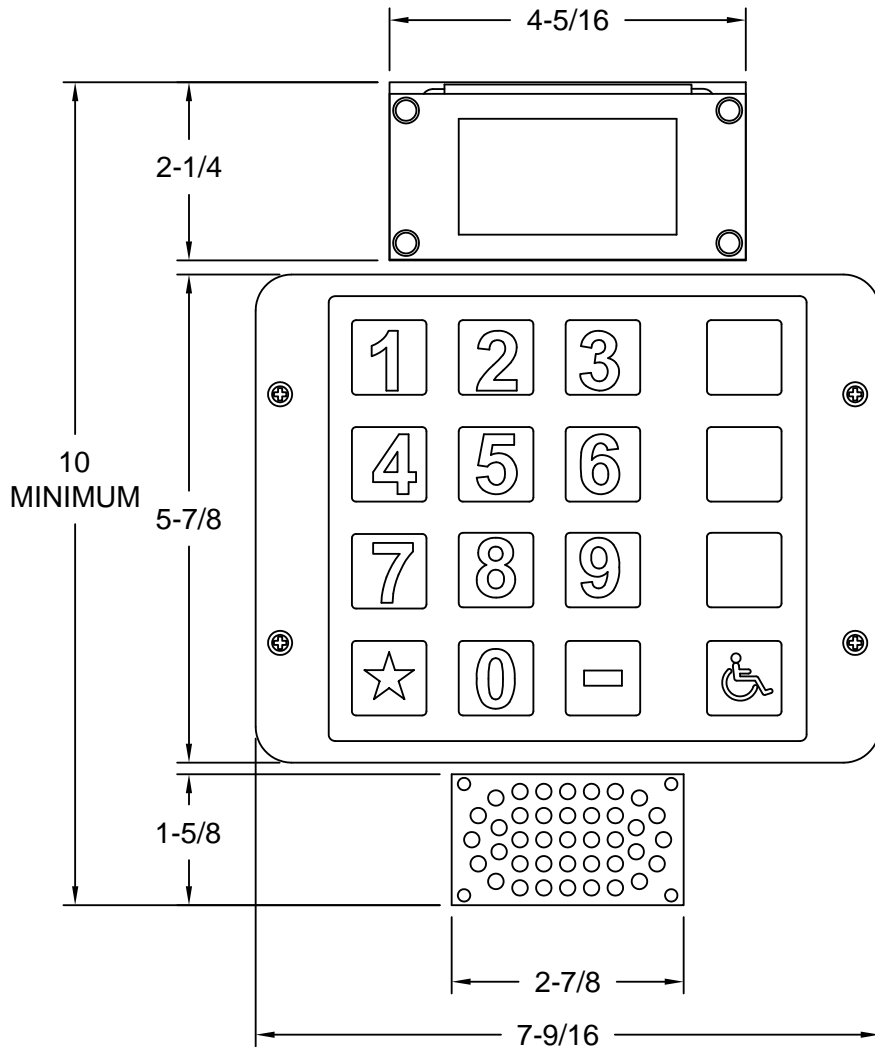


C.E. Electronics, Inc.
 2107 Industrial Drive
 Bryan, OH 43506
 PH (419) 636-6705 FX (419) 636-2516
 www.cееlectronics.com

ETKYPD4-XXXX

Ver. 1 Rel.5/25/2018

Elite Touch®



Keypad for Elite Touch®

The keypad is part of our Elite Touch® product line to maintain code compliance where pushbuttons are still necessary, as well as provide a back up in the event the touchscreens are out of service.

Typical Applications

- Car Operating Panel

Features:

- Stainless Steel keys
- 16mm high characters
- 8 ohm Speaker

NOTE:

Maximum distance from keypad for display and speaker is 10 inches

For use with Elite Touch® units
 Power Supply # 40102412 with
 Bracket # 70000280 is recommended

TO ORDER: - ETKYPD4 - X X X X

DISPLAY:

"D" = YES
 "X" = NO

SPEAKER:

"S" = YES
 "X" = NO

POWER INPUT: *

"P" = POWER SUPPLY
 "N" = NO POWER SUPPLY

KEYPAD STYLE:

"A" = MAIN - SILVER
 "B" = MAIN - BLACK
 "C" = AUXILIARY - SILVER
 "D" = AUXILIARY - BLACK

* If using CIB-O no Power Supply is required or if 24VDC is available in the COP no Power Supply is required.

NOTE: Templates available for specific mounting dimensions.