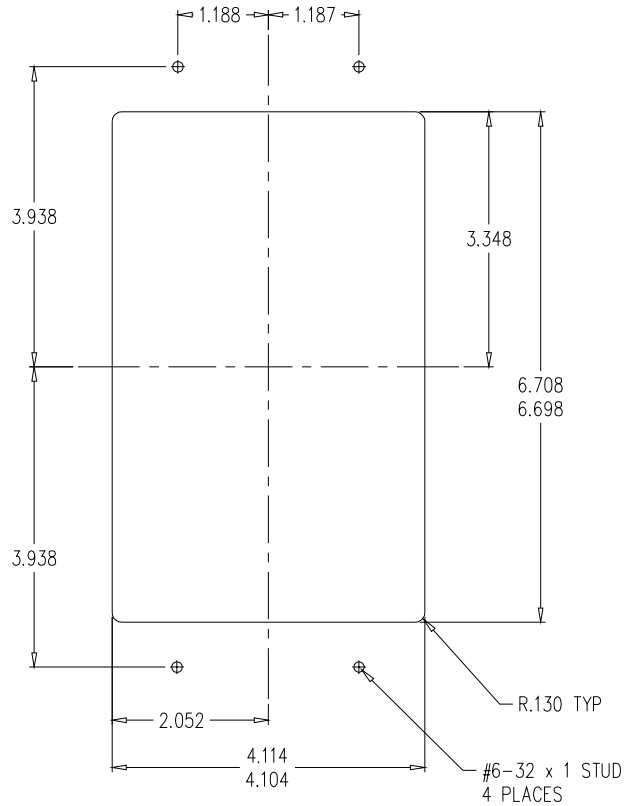
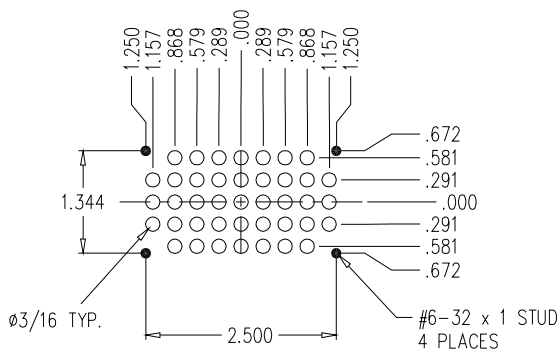


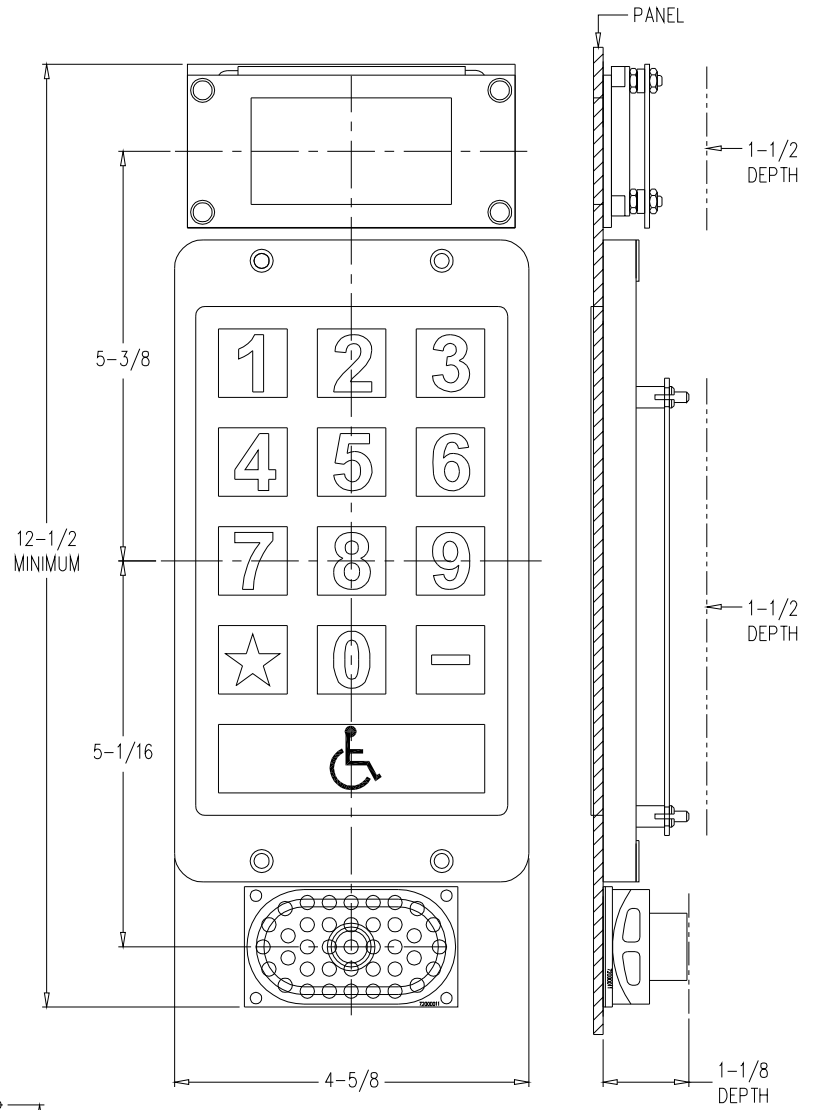
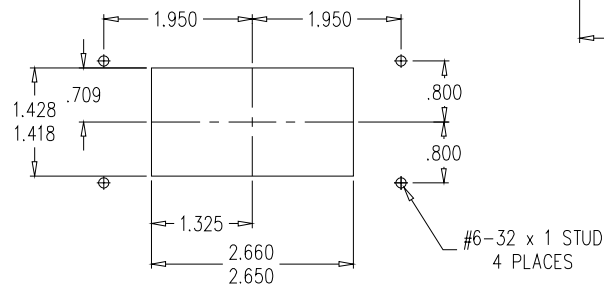
KEYPAD CUT OUT AND STUD DETAIL



SPEAKER CUT OUT AND STUD DETAIL



DISPLAY CUT OUT AND STUD DETAIL



LENS NUMBER:	BOARD # & REV:
APPROVED BY:	
Signature: _____	
Date: _____	
Company: _____	

DATE DRAWN: 7/09/2015	LAST DATE REVISED 1/27/2017	SCALE NTS	PART #
DRAWN BY: DWS	TOLERANCE UNLESS OTHERWISE SPECIFIED: ±.010	C.E. ELECTRONICS, INC. 2107 Industrial Drive Bryan, Ohio 43506 (419) 636-6705	
REQUESTED BY:	TOLERANCE FOR CUTOUT (WINDOW):	DWG. NO. ETKYPD-PP	
TITLE: KEYPAD / DISPLAY / SPEAKER PANEL PREP			REV: E