

# ET240-KPX

ELITE SERIES / PCAP



**PCAP SCREEN**  
Cutout: 13.7 x 23  
Active Area: 12 x 21

## ELITE TOUCH®

The ET240 touchscreens take the place of the traditional car panel pushbuttons. The graphics on the touchscreen represent destinations served by the elevator. The passengers choose their floor by touching the appropriate area on the screen.

### TYPICAL APPLICATIONS:

- > Car Operating Panel

### FEATURES:

- > Broad viewing angle of 170 degrees (85 x 85 x 85 x 85)
- > 24 Bit color choices (more than 16 million)
- > Can be paired with EN81 keypad with LCD readout
- > USB updatable
- > ASME17.12007, CSA B44-07, ANSI A1171.1-2003, Z97.1
- > UL-60950, CSA22.2 # 60950 ball drop test

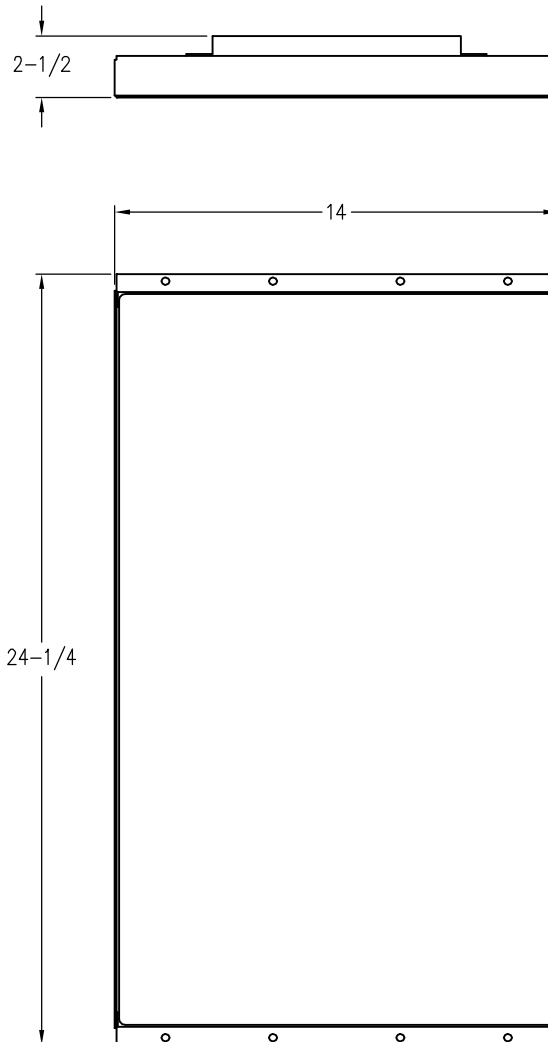
### PCAP SCREEN:

- > PROJECTED CAPACITANCE SCREENS
- > Conductive touch by human finger for input
- > Flush Screen



**C.E. Electronics, Inc. (US)** 2107 Industrial Drive, Bryan, Ohio 43506 p: 419.636.6705 [www.ceelectronics.com](http://www.ceelectronics.com)

**C.E. Electronics, Ltd. (UK)** P.O. Box 1679 Marlow, Bucks SL7 3ZG, UK p: +44 (0) 1628 487633 [www.ceelectronics.co.uk](http://www.ceelectronics.co.uk)



**"P" VERSION**

**ACTIVE AREA  
 12 INCHES x 21 INCHES**

RELATED DRAWINGS	
DESCRIPTION	DRAWING NAME
PANEL PREP.	PP240-P
DETAIL DIM.	DD240-P

SEE PAGE ET240-KXX-DETAIL1 FOR REQUIRED ELECTRONICS

**Elite Touch Series**

The ET240 touchscreens take the place of the traditional car panel pushbuttons. The graphics on the touchscreen represent destinations served by the elevator. The passengers choose their floor by touching the appropriate area on the screen.

Typical Applications

- Car Operating Panel

Features:

- Broad viewing angle of 170 degrees (85 X 85 X 85 X 85)
- 24 Bit color choices (more than 16 million)
- Can be paired with EN81 keypad with LCD readout
- USB updatable
- ASME17.12007, CSA B44-07, ANSI A1171.1-2003
- UL-60950, CSA22.2 # 60950 ball drop test

PCAP Screen

- PROJECTED CAPACITANCE SCREENS
- Conductive touch by human finger for input
- Flush Screen

TO ORDER: - ET240 - K P X

"P" = NLT/PCAP

"L" = Local electronics

"R" = Remote electronics

"A" = Aux (screen & cable only)



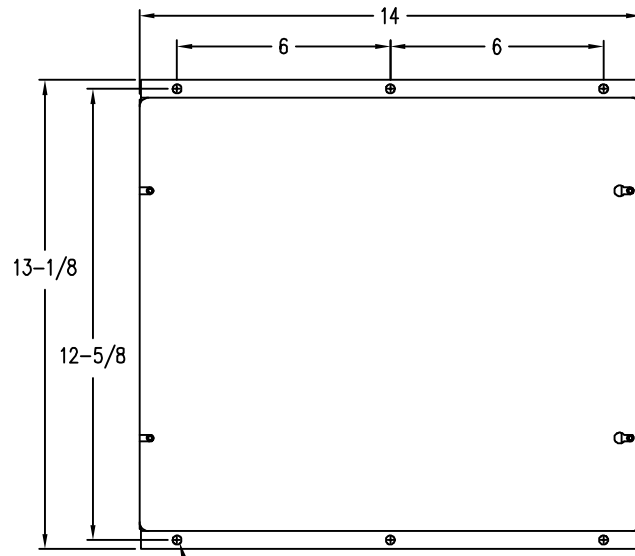
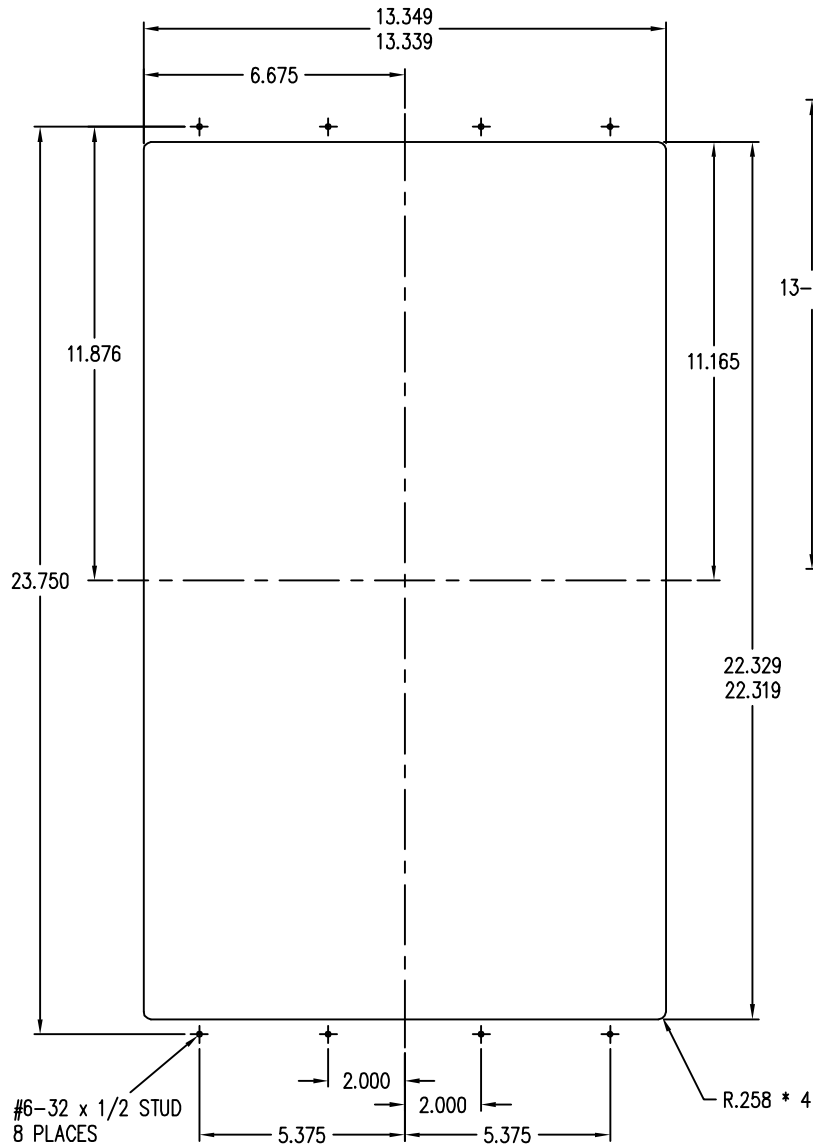
C.E. Electronics, Inc.  
 2107 Industrial Drive  
 Bryan, OH 43506  
 PH (419) 636-6705 FX (419) 636-2516  
 www.ceelectronics.com

# ET240-KPX-DETAIL 1

Ver. 1 Rel. 5/10/2022

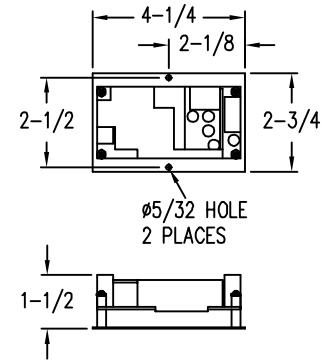
Elite Touch<sup>®</sup>

## PANEL PREP

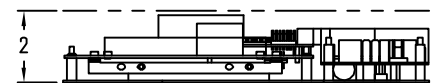
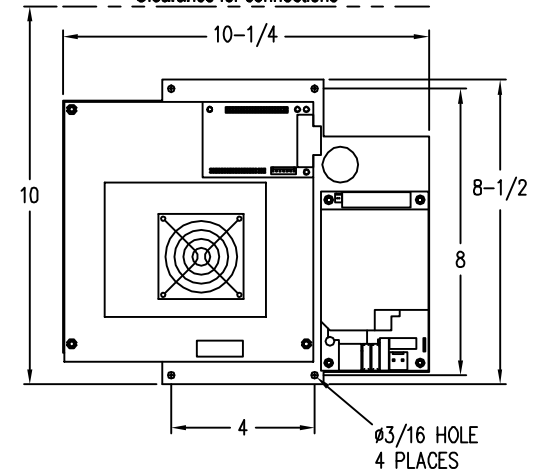


Remote/Protected Electronics  
 (15 feet max. distance)

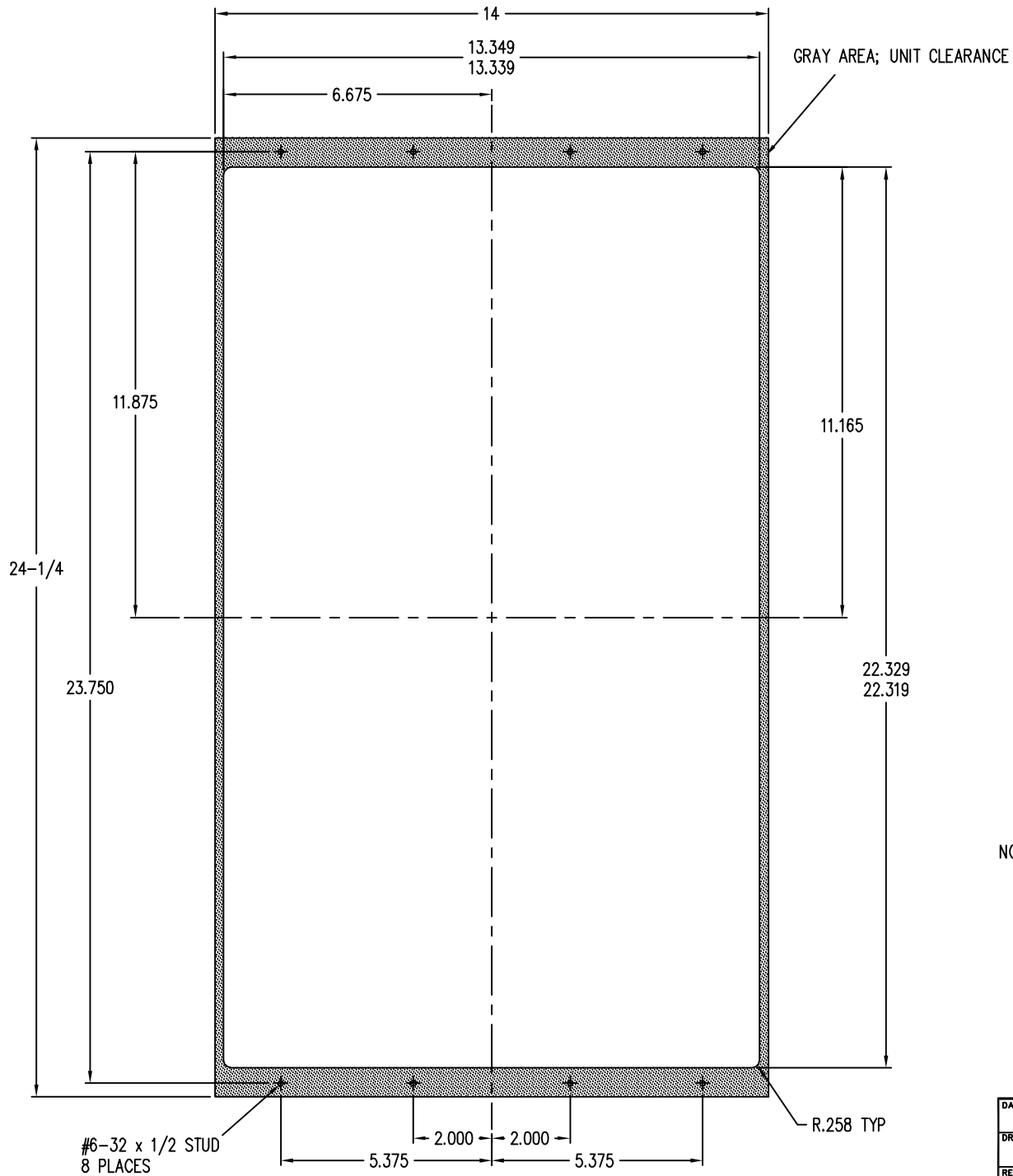
## Power Supply



## Clearance for connections



Local / Open Electronics  
 (15 feet max. distance)



NOTE: UNIT DEPTH: 2-1/2 INCHES

LENS NUMBER:	BOARD # & REV:
APPROVED BY:	
Signature:	
Date:	
Company:	

DATE DRAWN: 5/10/2022	LAST DATE REVISED:	SCALE NTS	PART #
DRAWN BY: RNT	TOLERANCE UNLESS OTHERWISE SPECIFIED:		C.E. ELECTRONICS, INC. 2107 Industrial Drive Bryan, Ohio 43506 (419) 636-6705
REQUESTED BY:	TOLERANCE FOR CUTOFF (WINDOW):		
TITLE: ET240-KPX "PCAP" PANEL PREP	DWG. NO. PP240-KPX	REV:	



## Controller Interface Board

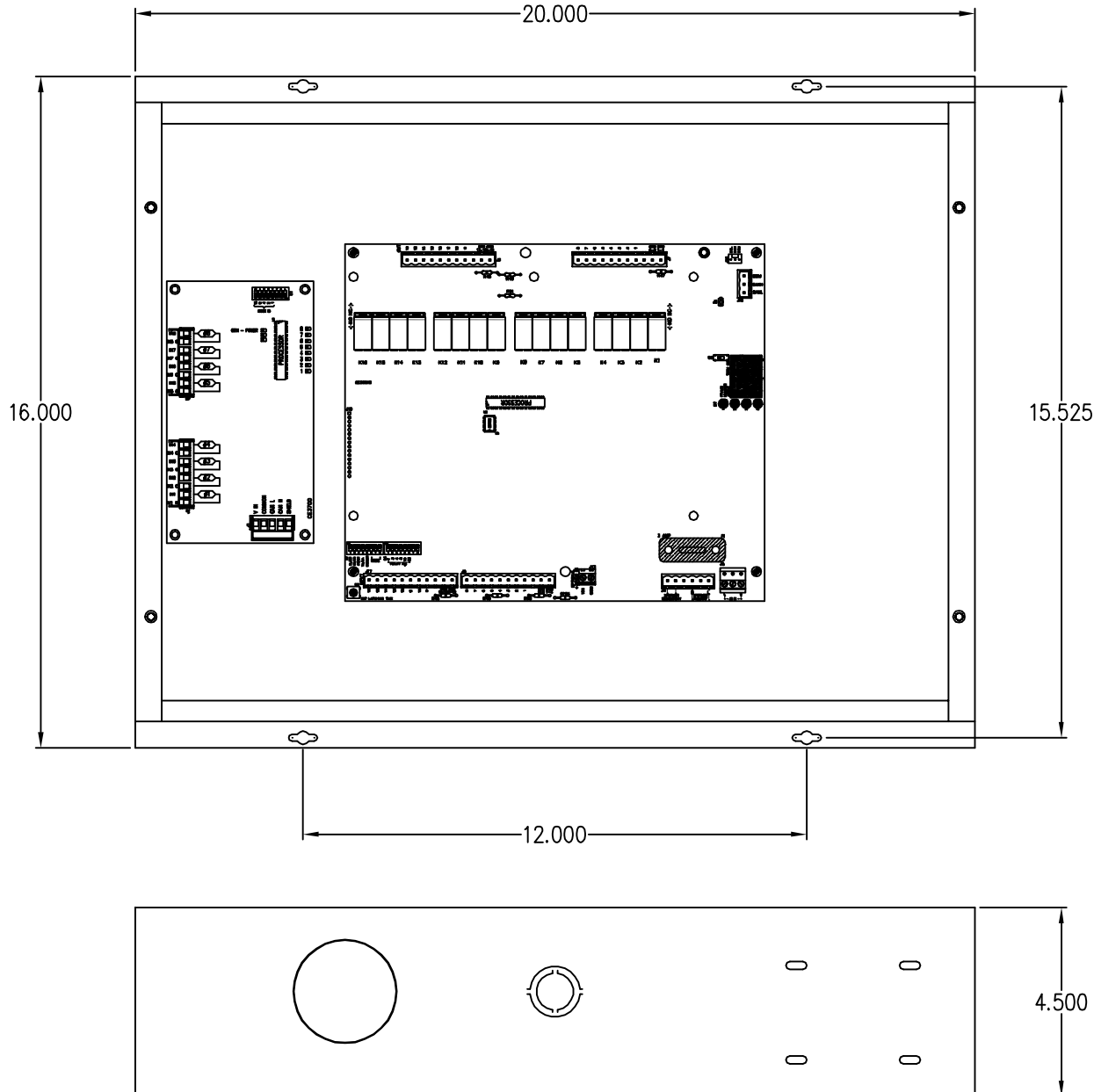
This unit is the interface between the touchscreen and the elevator controller. As the rider selects their car call on the screen, the CIB collects that information and alerts the controller of the request. The car call is illuminated on screen to confirm the selection and then the controller sends the car to the floor.

### Typical Applications

- Discrete input / output controller

### Features:

- Designed to function with any discrete controller.
- Easily expandable from 16 - 48 inputs / outputs



### TO ORDER: - CIB-D X X X X

INTERFACE:

"D" = DISCRETE

NUMBER OF INPUTS:

"16" = 16 INPUTS

"32" = 32 INPUTS

"48" = 48 INPUTS

POWER SUPPLY:

"A" = 110 VAC

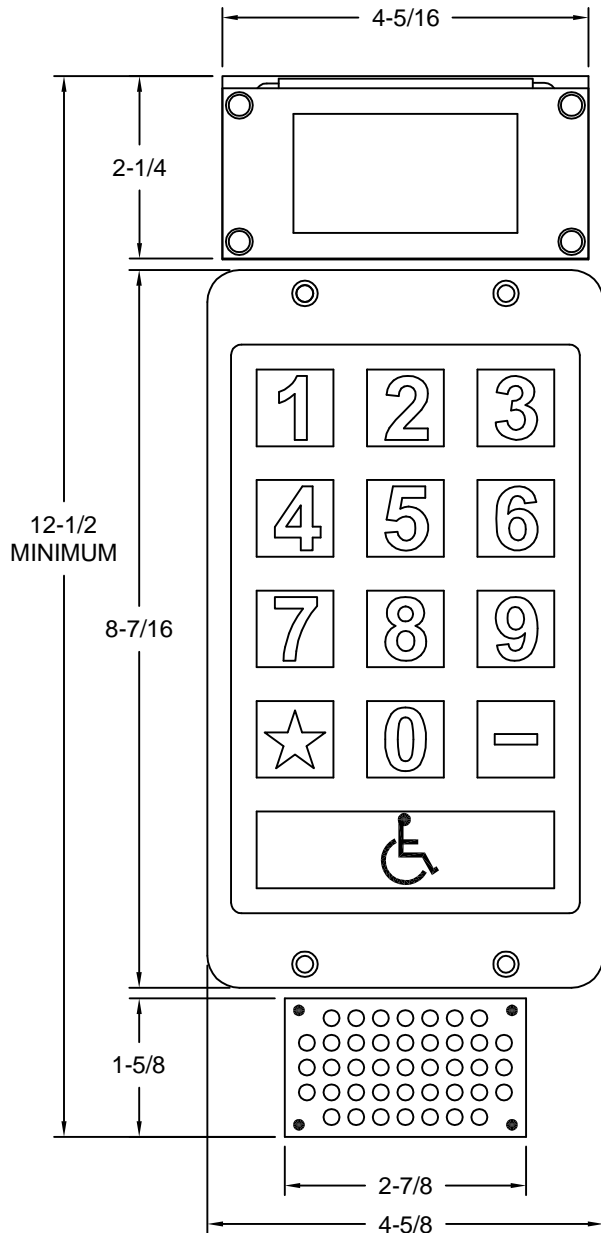
"E" = 220 VAC

"R" = AUTO RANGING

BOX:

"B" = Yes

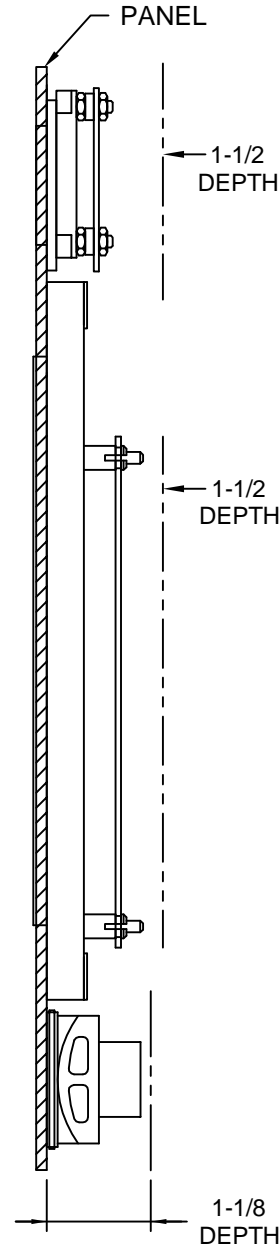
"X" = No



DISPLAY

KEYPAD

SPEAKER



### Keypad for Elite Touch®

The keypad is part of our Elite Touch® product line to maintain code compliance where pushbuttons are still necessary, as well as provide a back up in the event the touchscreens are out of service.

#### Typical Applications

- Car Operating Panel

#### Features:

- Stainless Steel keys
- 16mm high characters
- 8 ohm Speaker

#### NOTE:

Maximum distance from keypad for display and speaker is 10 inches

For use with Elite Touch® units  
 Power Supply # 40102412 with  
 Bracket # 70000280 is recommended

### TO ORDER: - ETKYPD - X X X X

#### DISPLAY:

"D" = YES  
 "X" = NO

#### SPEAKER:

"S" = YES  
 "X" = NO

#### POWER INPUT: \*

"P" = POWER SUPPLY  
 "N" = NO POWER SUPPLY

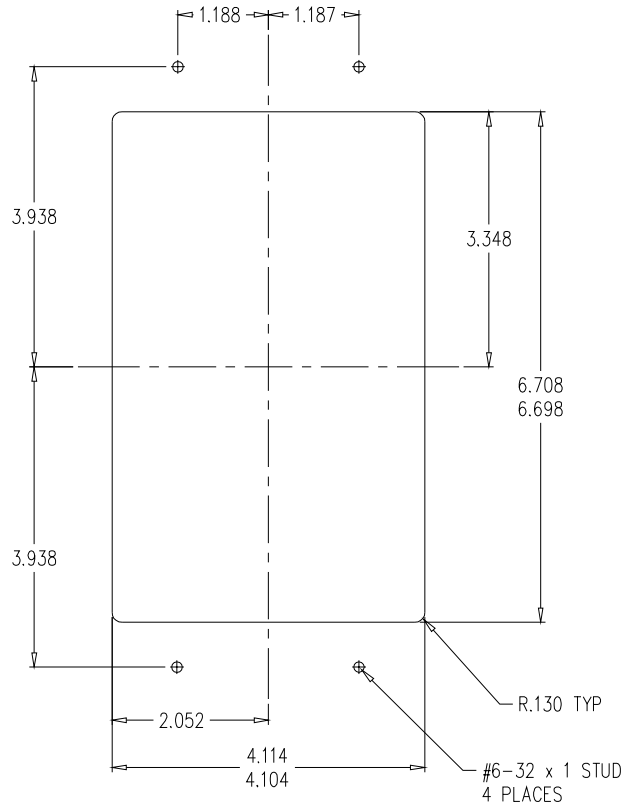
#### KEYPAD STYLE:

"A" = MAIN - SILVER  
 "B" = MAIN - BLACK  
 "C" = AUXILIARY - SILVER  
 "D" = AUXILIARY - BLACK

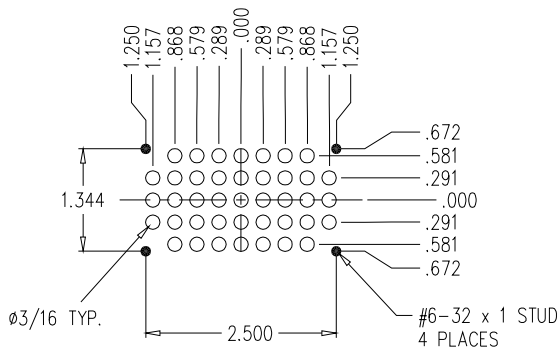
\* If using CIB-O no Power Supply is required or if 24VDC is available in the COP no Power Supply is required.

NOTE: Templates available for specific mounting dimensions.

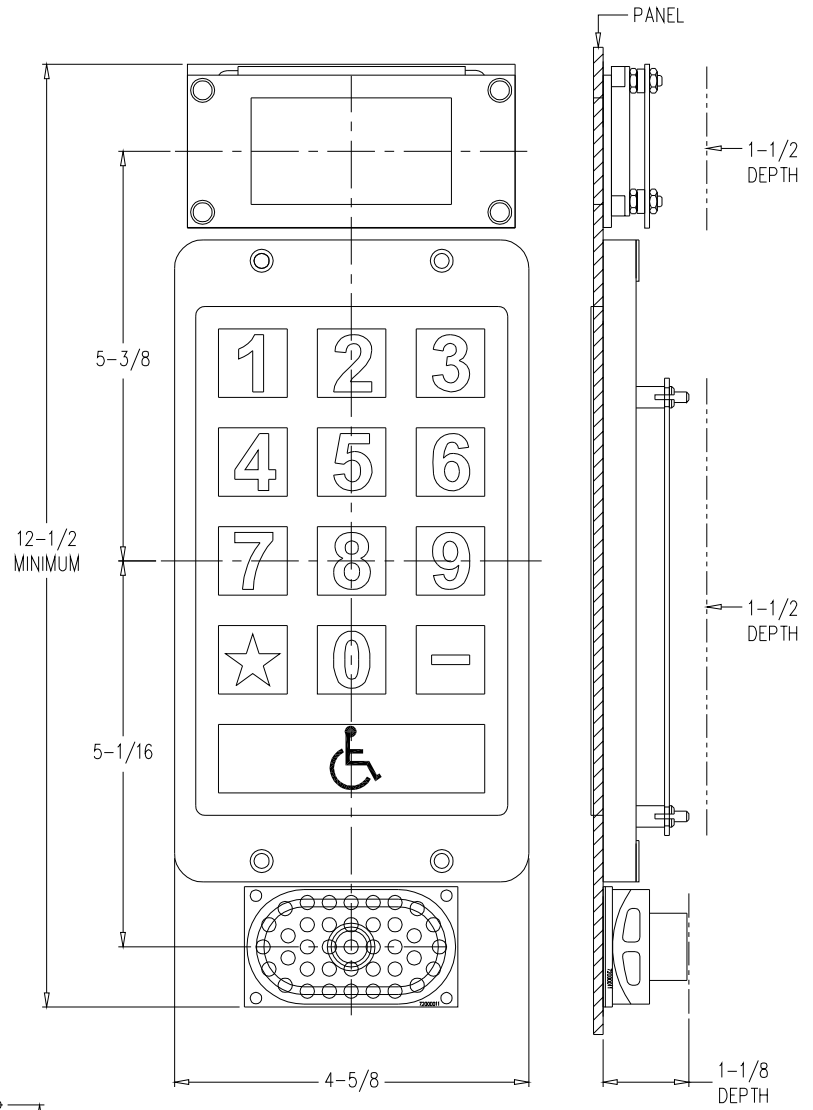
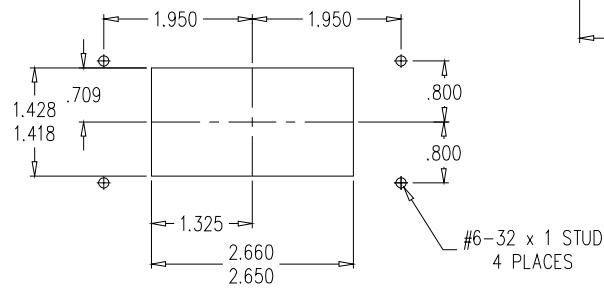
**KEYPAD CUT OUT AND STUD DETAIL**



**SPEAKER CUT OUT AND STUD DETAIL**



**DISPLAY CUT OUT AND STUD DETAIL**



LENS NUMBER:	BOARD # & REV:
APPROVED BY:	
Signature: _____	
Date: _____	
Company: _____	

DATE DRAWN: 7/09/2015	LAST DATE REVISED 1/27/2017	SCALE NTS	PART #
DRAWN BY: DWS	TOLERANCE UNLESS OTHERWISE SPECIFIED: ±.010		C.E. ELECTRONICS, INC. 2107 Industrial Drive Bryan, Ohio 43506 (419) 636-6705
REQUESTED BY:	TOLERANCE FOR CUTOUT (WINDOW):		
TITLE: KEYPAD / DISPLAY / SPEAKER PANEL PREP			DWG. NO. ETKYPD-PP REV. E

Job Name: \_\_\_\_\_ C.E. Sales Order: SO- \_\_\_\_\_

Group: \_\_\_\_\_ (Complete a page for each group and a title for each group)

**Elite Touch Interface Type**

(Select only one)

CIB-Dxxx Discretely wired:

CIB-O Otis RSL input:  If RSL: Address begins: 32  34  other \_\_\_\_\_

Note: CIB-O is for Otis use only If discrete buttons (8 max) start address: \_\_\_\_\_

**Complete Floor Marking Set**

(in order beginning with lowest landing)

\_\_\_\_\_ Egress landing: \_\_\_\_\_

Will this require a custom keypad? No  Yes  Fill out keypad order form

Custom key mapping Key '\*' = \_\_\_\_\_ Key '-' = \_\_\_\_\_

Keypad Floor Markings Set \_\_\_\_\_

**Modes of Operation to Support**

Mode:	Check if Message:	Check if Mode:	If Mode, What's diff on screen?	If RSL, Bit Address: Default <input type="checkbox"/> Custom <input type="checkbox"/>
Normal Operations:		<input type="checkbox"/>	_____	
Fire Phase 1	<input type="checkbox"/>	<input type="checkbox"/>	_____	52.1 _____
Independent Service	<input type="checkbox"/>	<input type="checkbox"/>	_____	52.4 _____
Seismic	<input type="checkbox"/>	<input type="checkbox"/>	_____	53.4 _____
Fire Phase 2	<input type="checkbox"/>	<input type="checkbox"/>	_____	58.1 _____
Medical Emergency	<input type="checkbox"/>	<input type="checkbox"/>	_____	58.2 _____
Swing Car	<input type="checkbox"/>	<input type="checkbox"/>	_____	58.3 _____
Sabbath	<input type="checkbox"/>	<input type="checkbox"/>	_____	59.1 _____