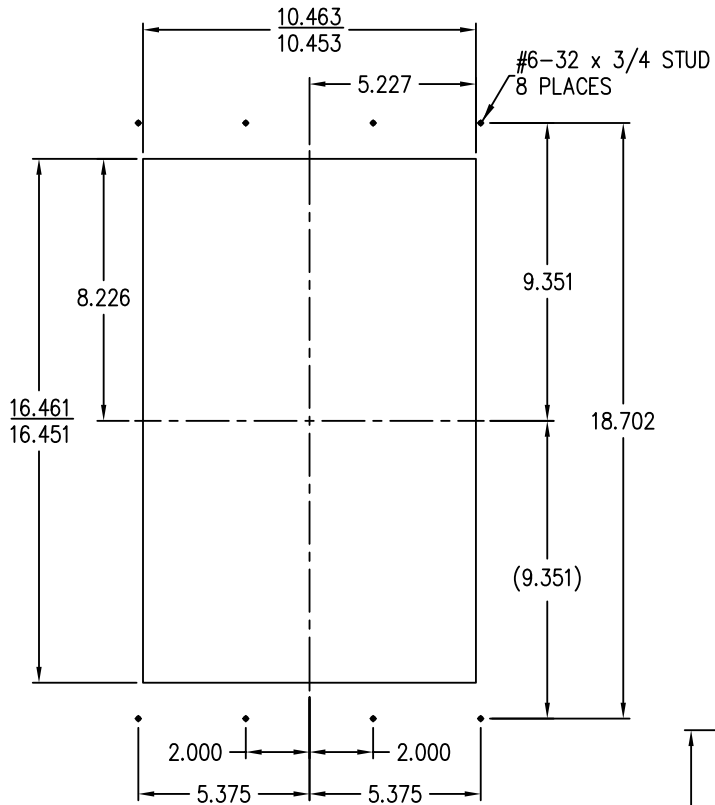




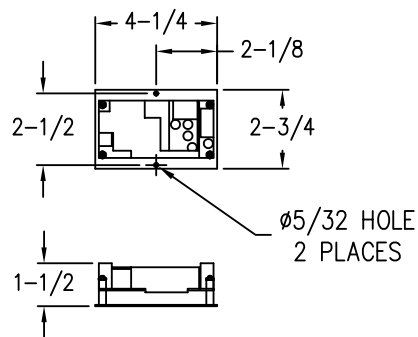
ET190-AXX-DETAIL 1

Ver. 2 Rel. 4/27/2020

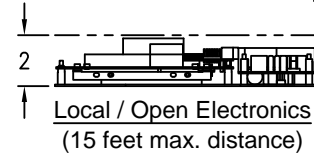
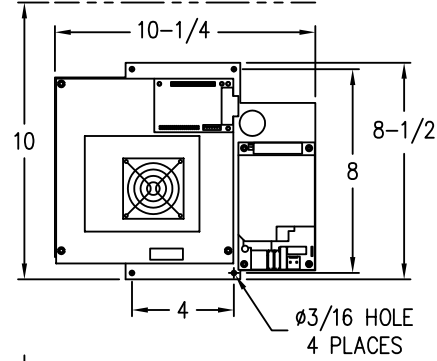
S VERSION PANEL PREP



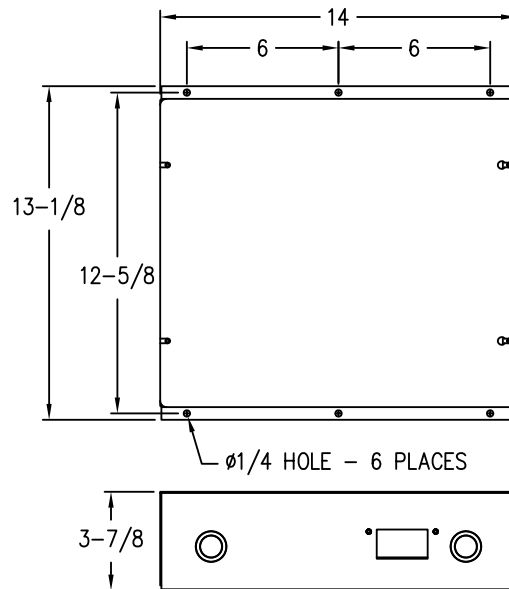
Power Supply



Clearance for connections



Remote/Protected Electronics (15 feet max. distance)



P VERSION PANEL PREP

