

ET190-APX

ELITE SERIES / PCAP



PCAP SCREEN

Cutout: 11 x 18

Active Area: 9 x 16

ELITE TOUCH®

The ET190 touchscreens take the place of the traditional car panel pushbuttons. The graphics on the touchscreen represent destinations served by the elevator. The passengers choose their floor by touching the appropriate area on the screen.

TYPICAL APPLICATIONS:

- > Car Operating Panel

FEATURES:

- > Broad viewing angle of 170 degrees (85 x 85 x 85 x 85)
- > 24 Bit color choices (more than 16 million)
- > Can be paired with EN81 keypad with LCD readout
- > USB updatable
- > ASME17.12007, CSA B44-07, ANSI A1171.1-2003, Z97.1
- > UL-60950, CSA22.2 # 60950 ball drop test

PCAP SCREEN:

PROJECT CAPACITIVE TOUCH

This uses the conductive touch of a human finger for the input. Flush Screen



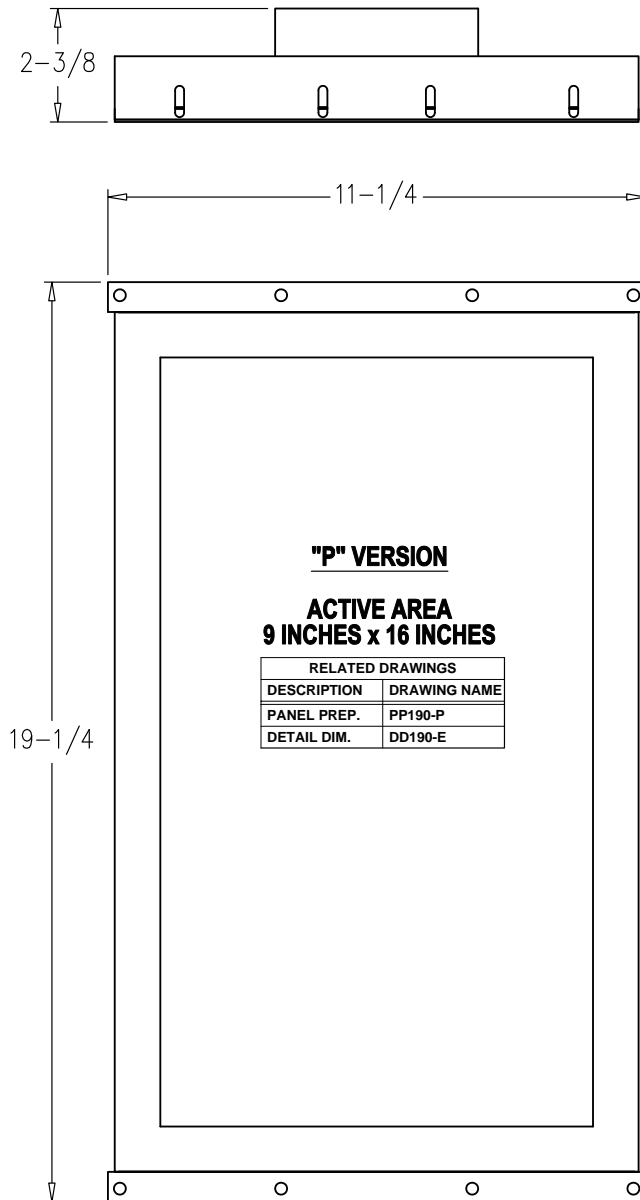
C.E. Electronics, Inc. (US) 2107 Industrial Drive, Bryan, Ohio 43506 p: 419.636.6705 www.cееlectronics.com

C.E. Electronics, Ltd. (UK) P.O. Box 1679 Marlow, Bucks SL7 3ZG, UK p: +44 (0) 1628 487633 www.cееlectronics.co.uk



ET190-APX

Ver. 4 Rel. 8/4/2020



SEE PAGE ET190-AXX-DETAIL1 FOR REQUIRED ELECTRONICS

Elite Touch Series

The ET190 touchscreens take the place of the traditional car panel pushbuttons. The graphics on the touchscreen represent destinations served by the elevator. The passengers choose their floor by touching the appropriate area on the screen.

Typical Applications

- Car Operating Panel

Features:

- Broad viewing angle of 170 degrees (85 X 85 X 85 X 85)
- 24 Bit color choices (more than 16 million)
- Can be paired with EN81 keypad with LCD readout
- USB updatable
- ASME17.12007, CSA B44-07, ANSI A1171.1-2003
- UL-60950, CSA22.2 # 60950 ball drop test

PCAP Screen

- PROJECTED CAPACITANCE SCREENS
- Conductive touch by human finger for input
- Flush Screen

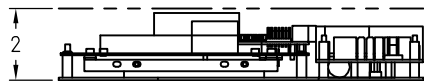
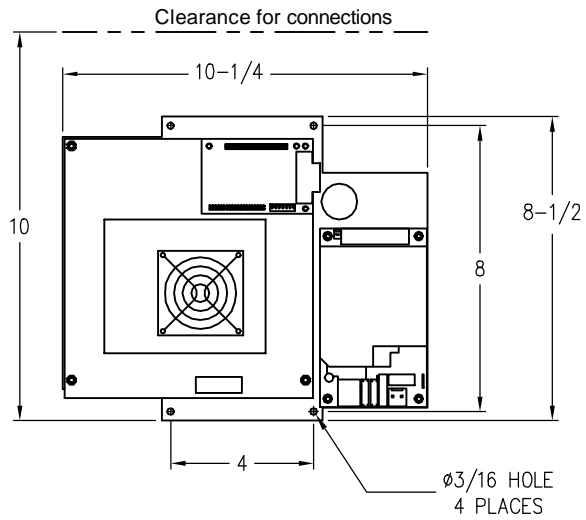
TO ORDER: - ET190 - A P X

"P" = NLT/PCAP

"L" = Local electronics

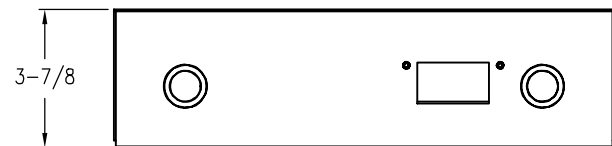
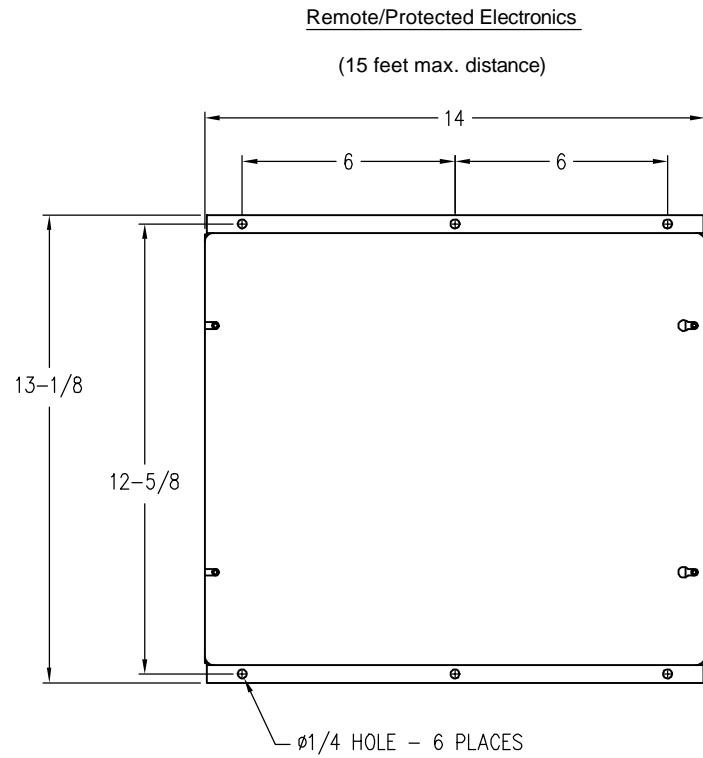
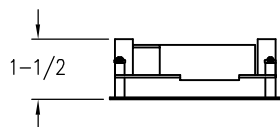
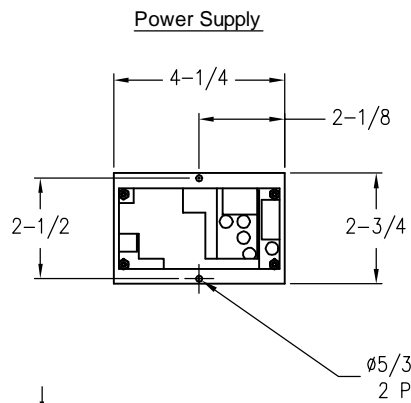
"R" = Remote electronics

"A" = Aux (screen & cable only)




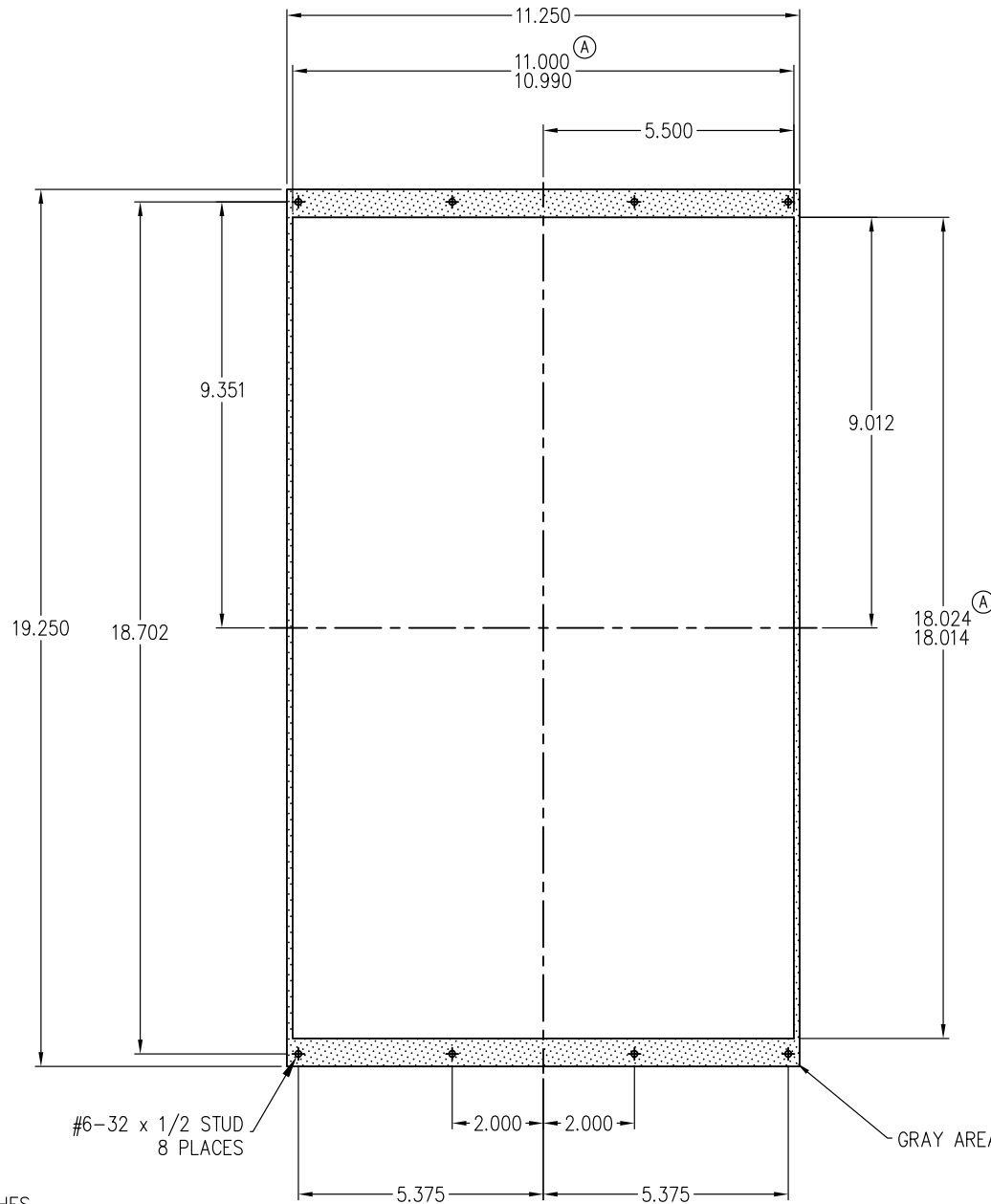
Local / Open Electronics

(15 feet max. distance)



LENS NUMBER:	BOARD # & REV:
APPROVED BY:	
Signature:	
Date:	
Company:	

DATE DRAWN: 3/17/2021	LAST DATE REVISED:	SCALE NTS	PART #
DRAWN BY: DJR	TOLERANCE UNLESS OTHERWISE SPECIFIED:		 C.E. ELECTRONICS, INC. 2107 Industrial Drive Bryan, Ohio 43506 (419) 636-6705
REQUESTED BY: RNT	TOLERANCE FOR CUTOUT (WINDOW):		
TITLE: TOUCH SCREEN DRIVE UNIT		DWG. NO.	REV:
		TSDU-E	



UNIT DEPTH: 2-3/8 INCHES

LENS NUMBER:	BOARD # & REV:
APPROVED BY:	
Signature:	
Date:	
Company:	

DATE DRAWN: 7/25/2019	LAST DATE REVISED 4/27/2020	SCALE NTS	PART #
DRAWN BY: DJR	TOLERANCE UNLESS OTHERWISE SPECIFIED:		
REQUESTED BY: RNT	TOLERANCE FOR CUTOUT (WINDOW):		
TITLE: ET190-APX "PCAP" PANEL PREP		DWG. NO. PP190-P	REV. A


 C.E. ELECTRONICS, INC.
 2107 Industrial Drive
 Bryan, Ohio 43506
 (419) 636-6705



Controller Interface Board

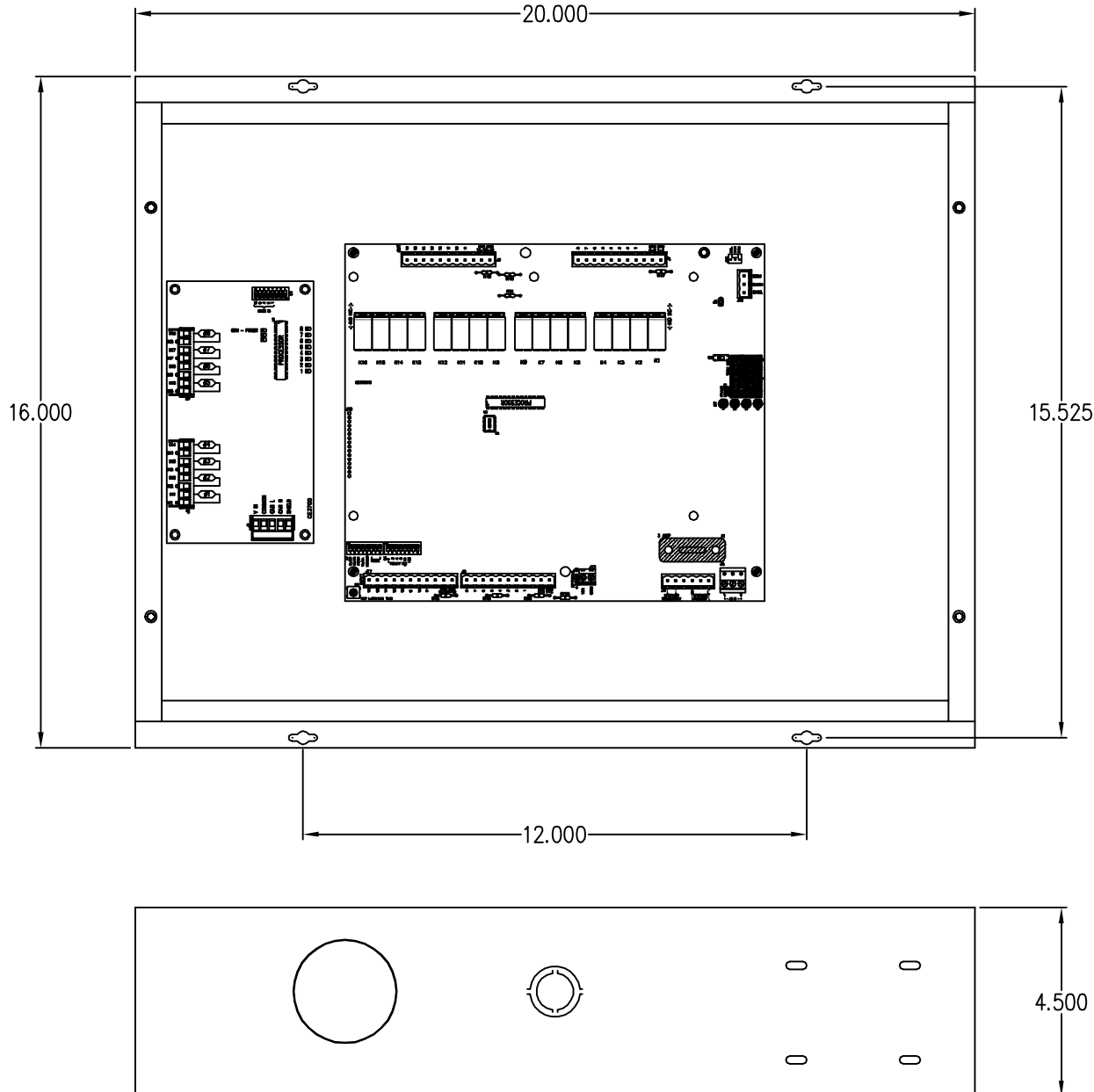
This unit is the interface between the touchscreen and the elevator controller. As the rider selects their car call on the screen, the CIB collects that information and alerts the controller of the request. The car call is illuminated on screen to confirm the selection and then the controller sends the car to the floor.

Typical Applications

- Discrete input / output controller

Features:

- Designed to function with any discrete controller.
- Easily expandable from 16 - 48 inputs / outputs



TO ORDER: - CIB-D X X X X

INTERFACE:

"D" = DISCRETE

NUMBER OF INPUTS:

"16" = 16 INPUTS

"32" = 32 INPUTS

"48" = 48 INPUTS

POWER SUPPLY:

"A" = 110 VAC

"E" = 220 VAC

"R" = AUTO RANGING

BOX:

"B" = Yes

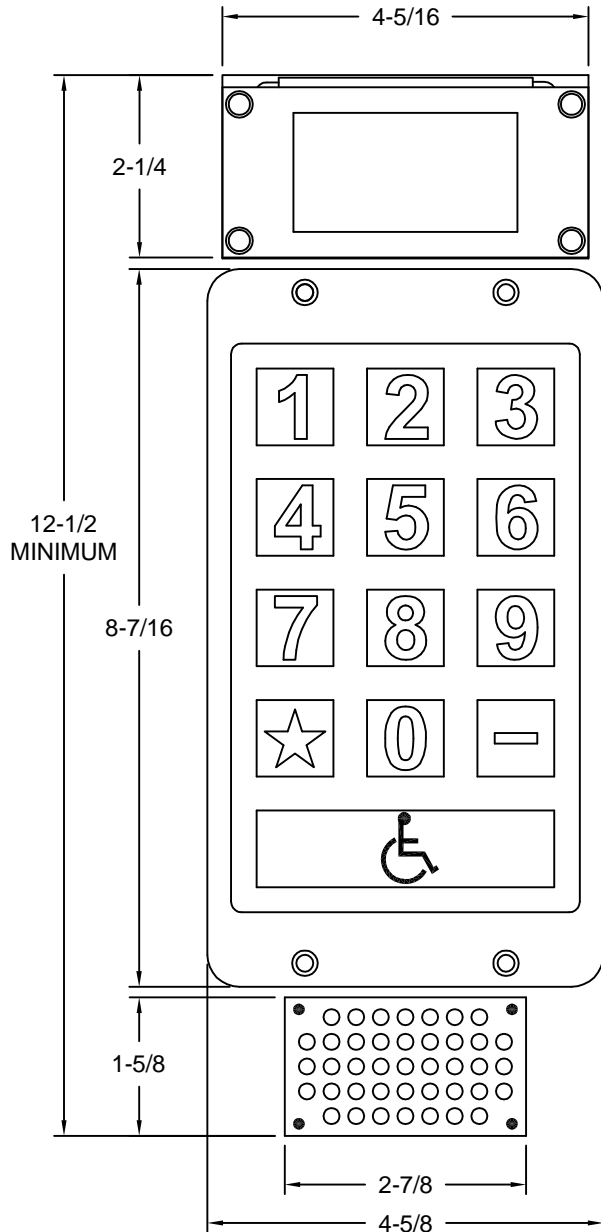
"X" = No



ETKYPD-XXXX

Ver. 3 Rel.4/30/2018

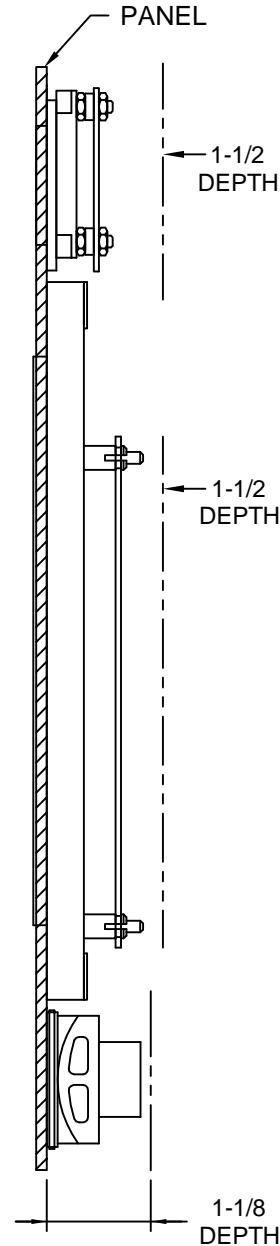
Elite Touch[®]



DISPLAY

KEYPAD

SPEAKER



Keypad for Elite Touch[®]

The keypad is part of our Elite Touch[®] product line to maintain code compliance where pushbuttons are still necessary, as well as provide a back up in the event the touchscreens are out of service.

Typical Applications

- Car Operating Panel

Features:

- Stainless Steel keys
- 16mm high characters
- 8 ohm Speaker

NOTE:

Maximum distance from keypad for display and speaker is 10 inches

For use with Elite Touch[®] units
 Power Supply # 40102412 with
 Bracket # 70000280 is recommended

TO ORDER: - ETKYPD - X X X X

DISPLAY:

"D" = YES
 "X" = NO

SPEAKER:

"S" = YES
 "X" = NO

POWER INPUT: *

"P" = POWER SUPPLY
 "N" = NO POWER SUPPLY

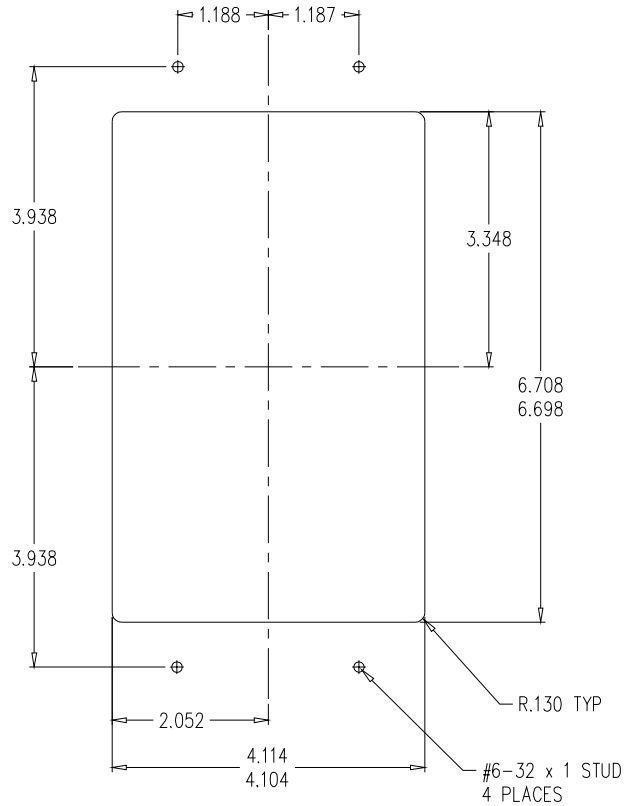
KEYPAD STYLE:

"A" = MAIN - SILVER
 "B" = MAIN - BLACK
 "C" = AUXILIARY - SILVER
 "D" = AUXILIARY - BLACK

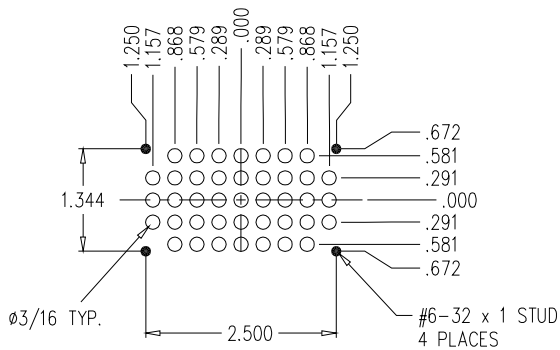
* If using CIB-O no Power Supply is required or if 24VDC is available in the COP no Power Supply is required.

NOTE: Templates available for specific mounting dimensions.

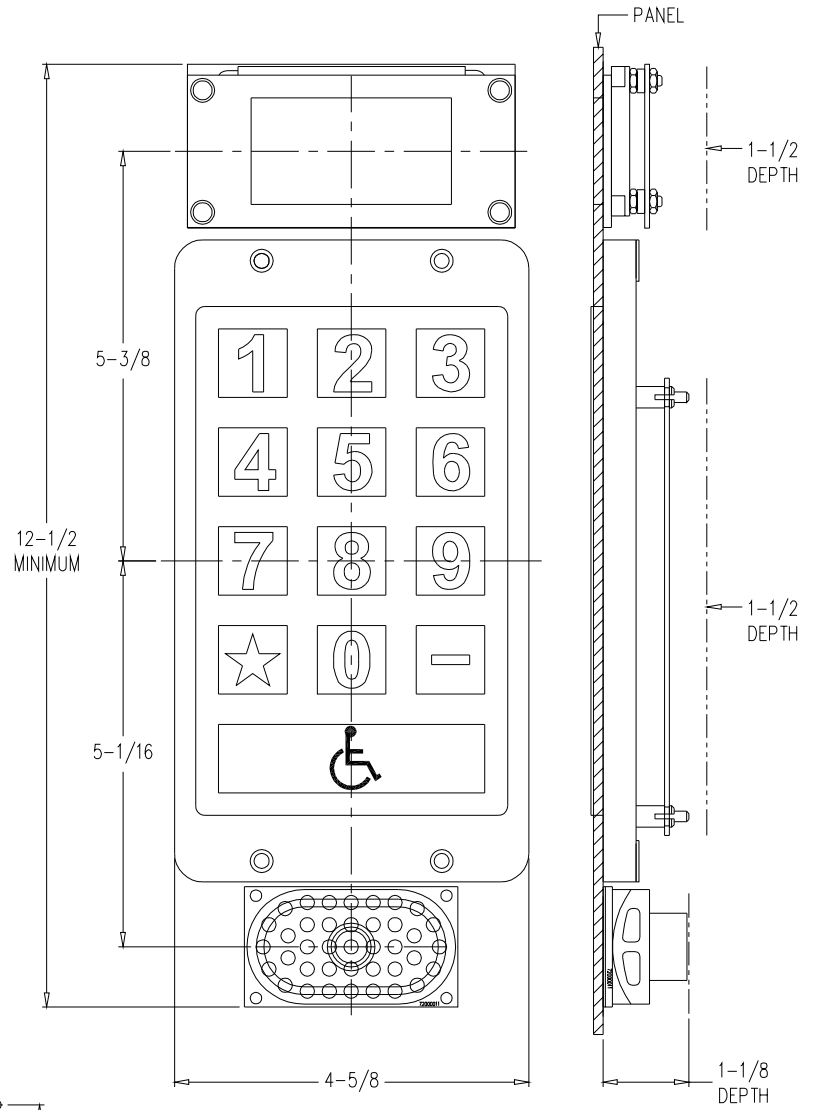
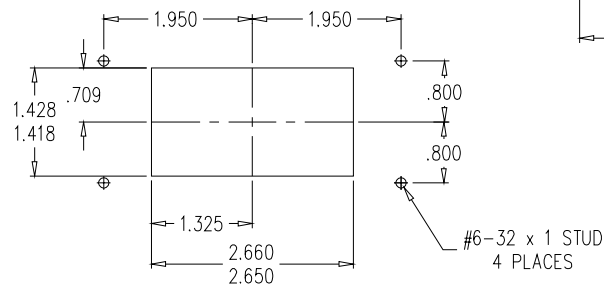
KEYPAD CUT OUT AND STUD DETAIL



SPEAKER CUT OUT AND STUD DETAIL



DISPLAY CUT OUT AND STUD DETAIL



LENS NUMBER:	BOARD # & REV:
APPROVED BY:	
Signature:	
Date:	
Company:	

DATE DRAWN: 7/09/2015	LAST DATE REVISED 1/27/2017	SCALE NTS	PART #
DRAWN BY: DWS	TOLERANCE UNLESS OTHERWISE SPECIFIED: ±.010		C.E. ELECTRONICS, INC. 2107 Industrial Drive Bryan, Ohio 43506 (419) 636-6705
REQUESTED BY:	TOLERANCE FOR CUTOUT (WINDOW):		
TITLE: KEYPAD / DISPLAY / SPEAKER PANEL PREP			DWG. NO. ETKYPD-PP REV. E

Job Name: _____ C.E. Sales Order: SO- _____

Group: _____ (Complete a page for each group and a title for each group)

Elite Touch Interface Type

(Select only one)

CIB-Dxxx Discretely wired:

CIB-O Otis RSL input: If RSL: Address begins: 32 34 other _____

Note: CIB-O is for Otis use only If discrete buttons (8 max) start address: _____

Complete Floor Marking Set

(in order beginning with lowest landing)

_____ Egress landing: _____

Will this require a custom keypad? No Yes Fill out keypad order form

Custom key mapping Key '*' = _____ Key '-' = _____

Keypad Floor Markings Set _____

Modes of Operation to Support

Mode:	Check if Message:	Check if Mode:	If Mode, What's diff on screen?	If RSL, Bit Address: Default <input type="checkbox"/> Custom <input type="checkbox"/>
Normal Operations:		<input type="checkbox"/>	_____	
Fire Phase 1	<input type="checkbox"/>	<input type="checkbox"/>	_____	52.1 _____
Independent Service	<input type="checkbox"/>	<input type="checkbox"/>	_____	52.4 _____
Seismic	<input type="checkbox"/>	<input type="checkbox"/>	_____	53.4 _____
Fire Phase 2	<input type="checkbox"/>	<input type="checkbox"/>	_____	58.1 _____
Medical Emergency	<input type="checkbox"/>	<input type="checkbox"/>	_____	58.2 _____
Swing Car	<input type="checkbox"/>	<input type="checkbox"/>	_____	58.3 _____
Sabbath	<input type="checkbox"/>	<input type="checkbox"/>	_____	59.1 _____