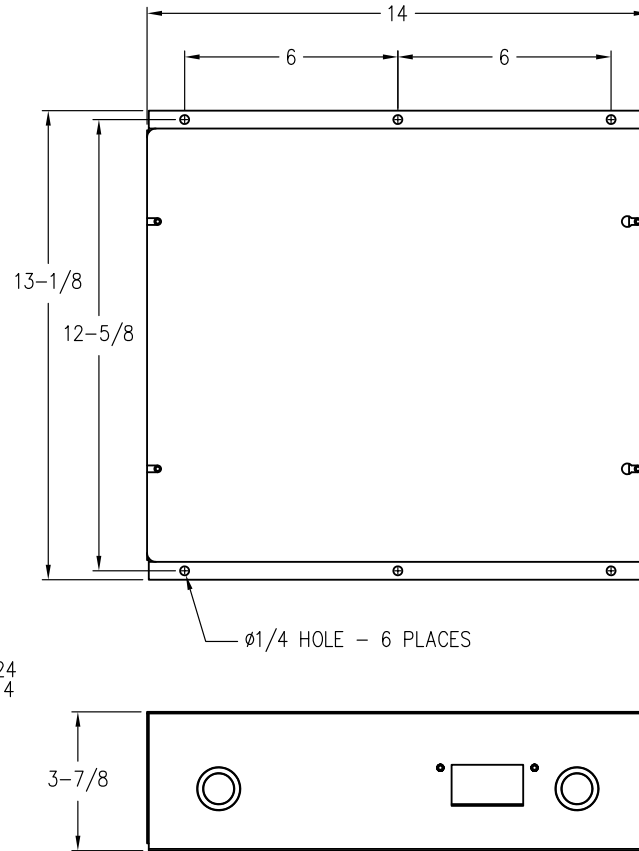
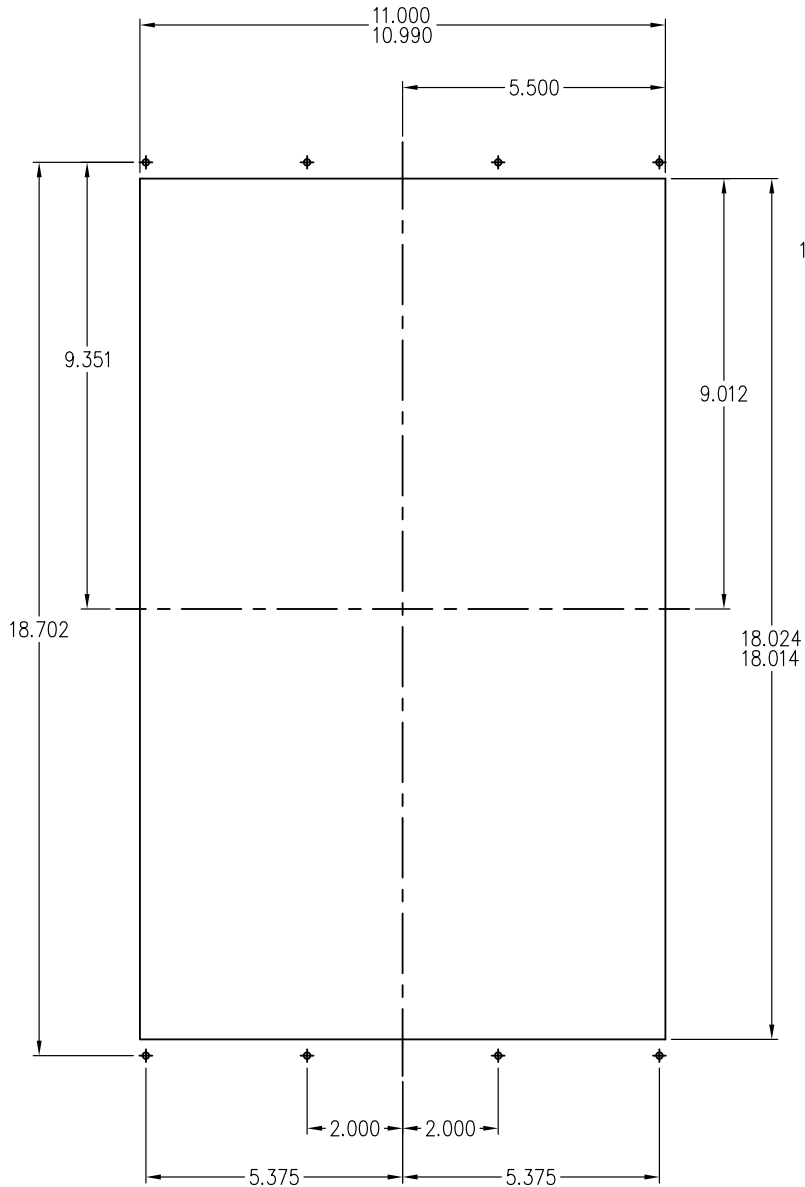




ET190-APX-DETAIL 1

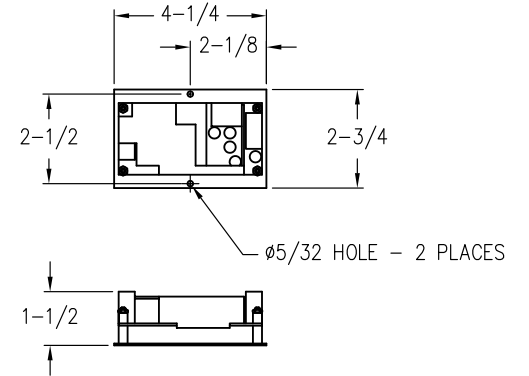
Ver. 1 Rel.8/4/2020

PANEL PREP

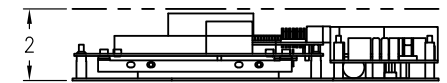
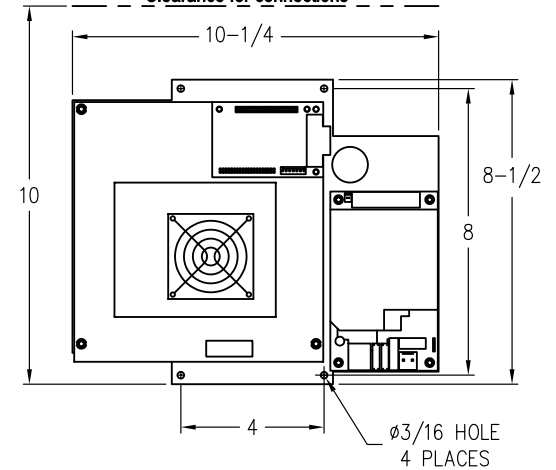


Remote/Protected Electronics
 (15 feet max. distance)

Power Supply



Clearance for connections



Local / Open Electronics
 (15 feet max. distance)