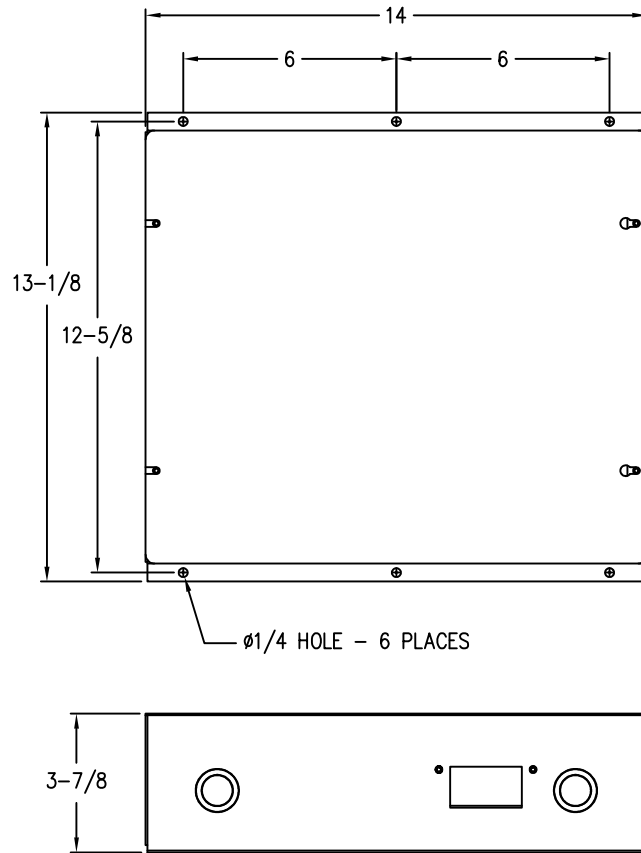
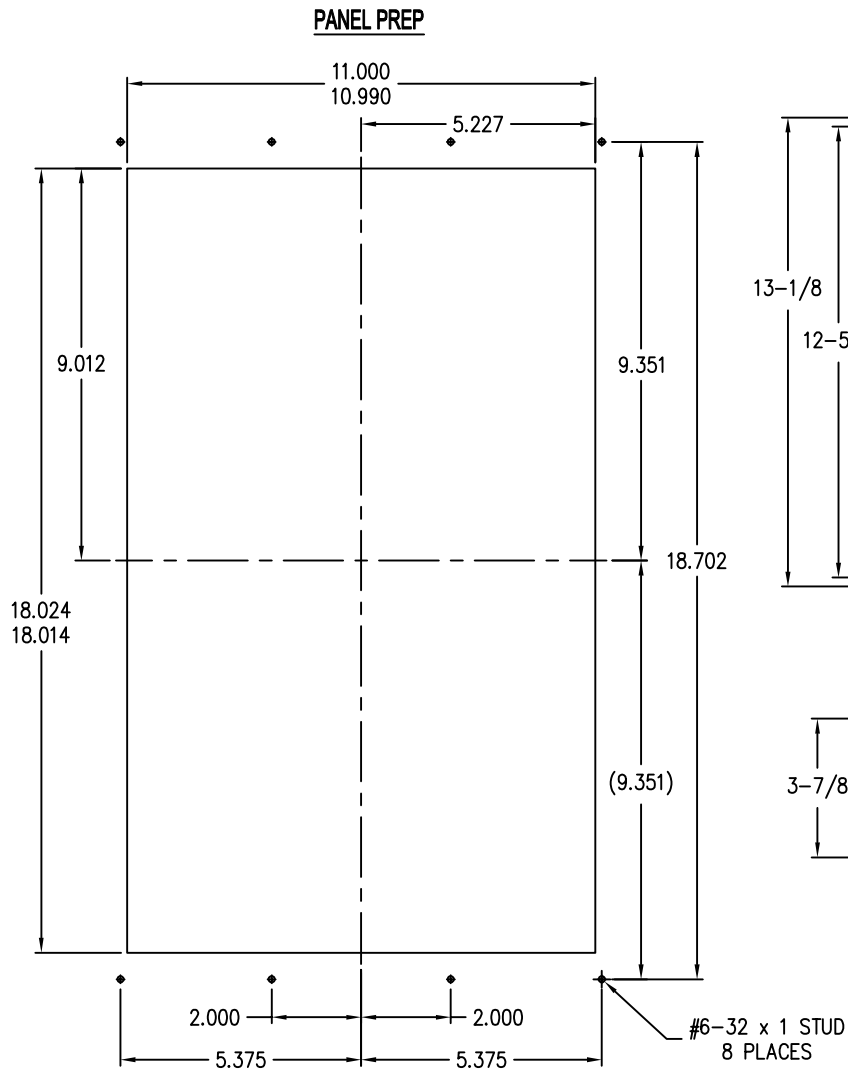


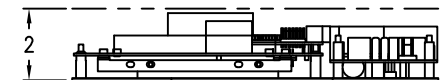
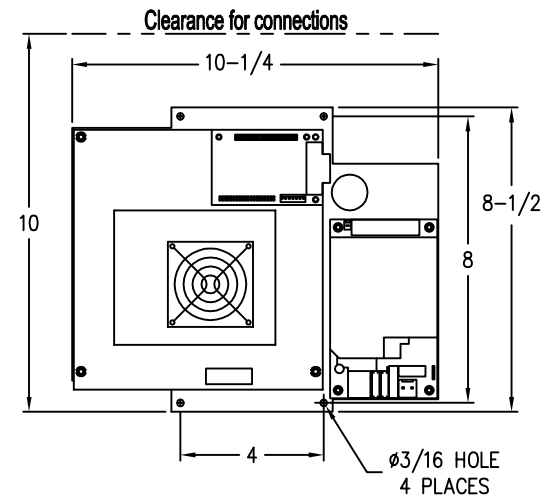
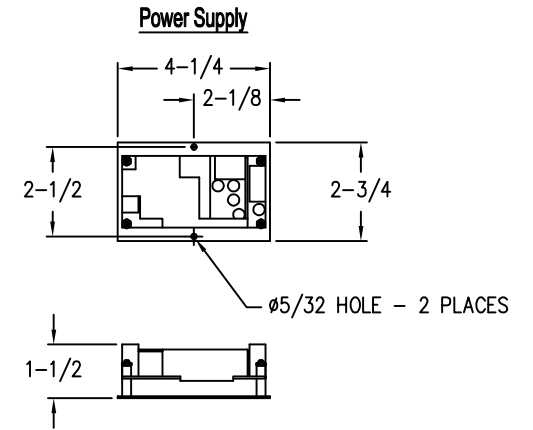


# ET185-KPX3-DETAIL 1

Ver. 1 Rel 1/18/2024



**Remote/Protected Electronics**  
 (15 feet max. distance)



**Local / Open Electronics**  
 (15 feet max. distance)