

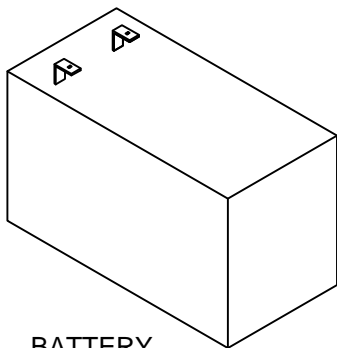
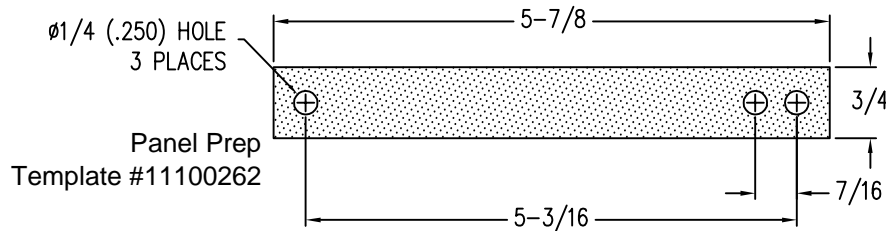
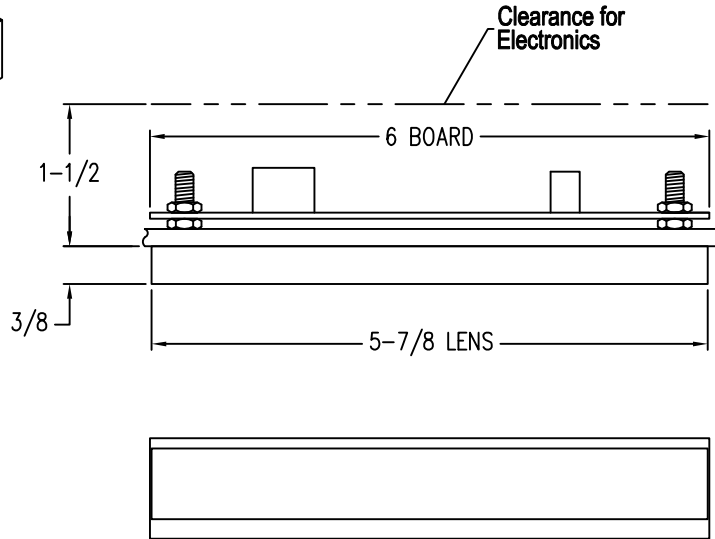
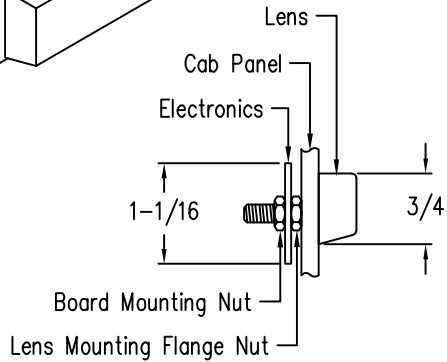
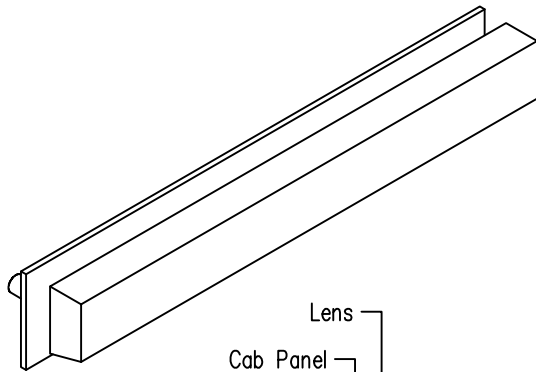


C.E. Electronics, Inc.  
 2107 Industrial Drive  
 Bryan, OH 43506  
 PH (419) 636-6705 FX (419) 636-2516  
 www.ceelectronics.com

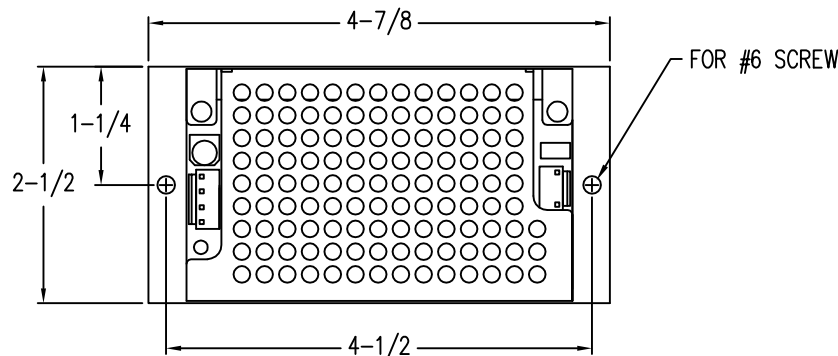
# EPSL-XXX

Ver. 3 Rel. 9/4/2019

ACCESSORIES



**BATTERY**  
 12Vdc; 1.3 AH




**Power Supply Assembly**

## EPSL-XXX SLIMLITE EMERGENCY LIGHT

Compact emergency light designed to ASME 17.1 standards. Employ's a slim, 5-7/8 inch x 3/4 inch lens White LED strip plugs directly into Micro Comm feed or other power supplies from 18-24Vdc or 12Vdc; 1.3 AH sealed lead acid battery.

### Features:

- UL/CSA Recommended 
- Small profile/compact design
- Meets ASME 17.1 Standards
- Mounts to panel with (3)  $\phi 1/4$  inch holes
- Only uses 1 inch high x 6 inch wide space
- 4+ hours of light
- 1 hour alarm

## Optional High Voltage Power Supply Assembly

CE #940101301

100-240Vac input w/ 13.6Vdc output

Charging power supply 60 watt with cables and mount 

### TO ORDER - EPSL-XXX

O = OEM (NO BRACKET)  
 B = BRACKET  
 F = FIELD

P = POWER SUPPLY  
 X = NO POWER SUPPLY

S = SONALERT  
 X = NO SONALERT