

> EP SL-XXX SLIMLITE EMERGENCY LIGHT



ACCESSORIES SLIMLITE EMERGENCY LIGHT

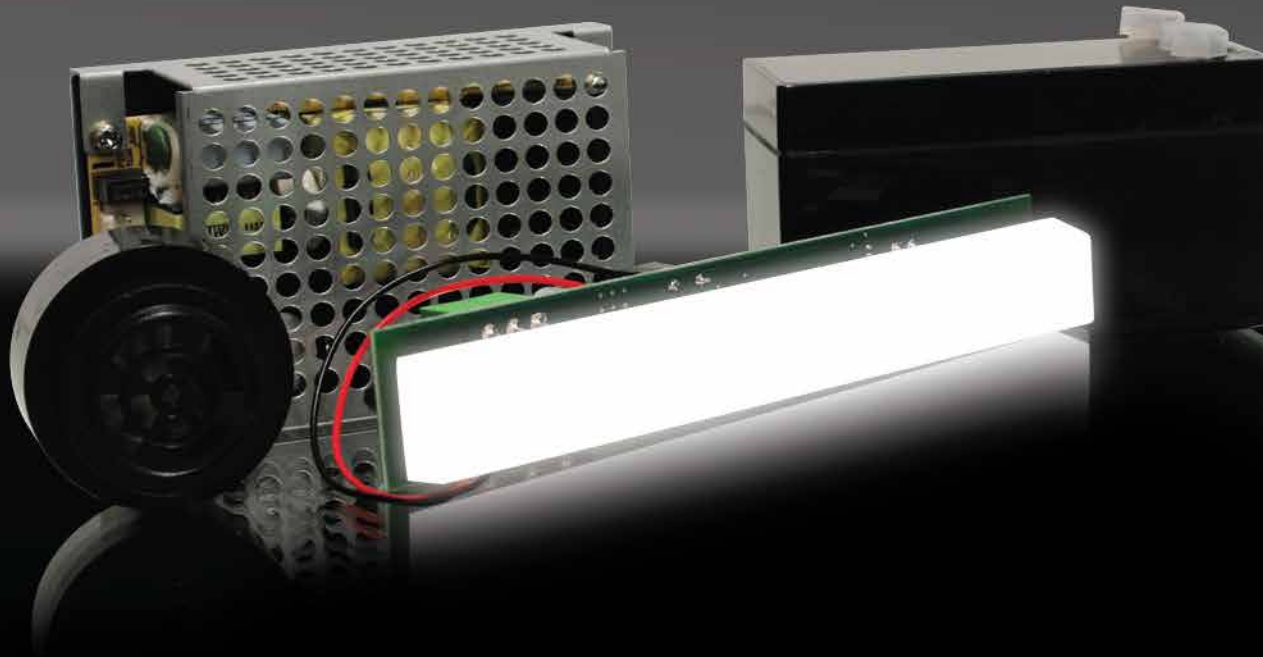
Compact emergency light designed to ASME 17.1 standards. Employ's a slim, 5-7/8 inch x 3/4 inch lens White LED strip plugs directly into MICRO COMM feed or other power supplies from 18-24Vdc or 12Vdc; 1.3 AH sealed lead acid battery.

TYPICAL APPLICATIONS:

- > UL/CSA Recommended
- > Small profile/compact design
- > Meets ASME 17.1 Standards
- > Mounts to panel with (3) Ø1/4 inch holes
- > Only uses 1 inch high x 6 inch wide space
- > 4+ hours of light
- > 1 hour alarm

OPTIONAL HIGH VOLTAGE POWER SUPPLY ASSEMBLY:

- > CE #940101301
- > 100-240Vac input with 13.6Vdc output
- > Charging power supply 60 watt with cables and mount



C.E. Electronics, Inc. (US) 2107 Industrial Drive, Bryan, Ohio 43506 p: 419.636.6705 www.cееlectronics.com

C.E. Electronics, Ltd. (UK) P.O. Box 1679 Marlow, Bucks SL7 3ZG, UK p: +44 (0) 1628 487633 www.cееlectronics.co.uk

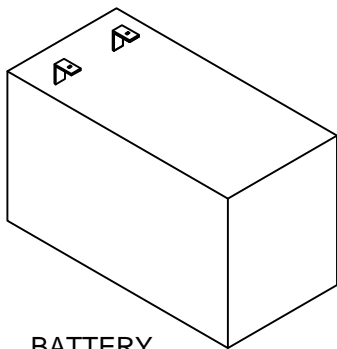
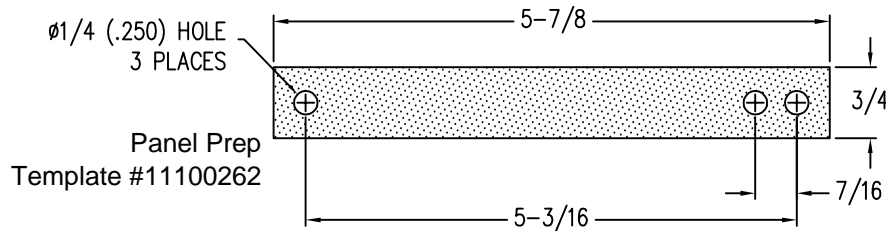
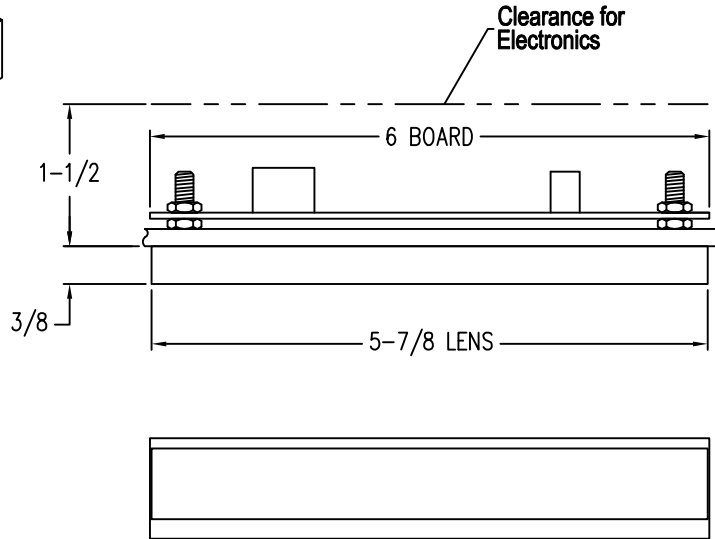
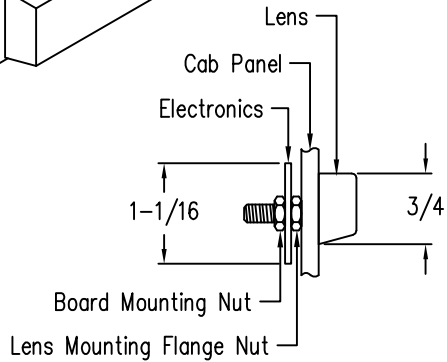
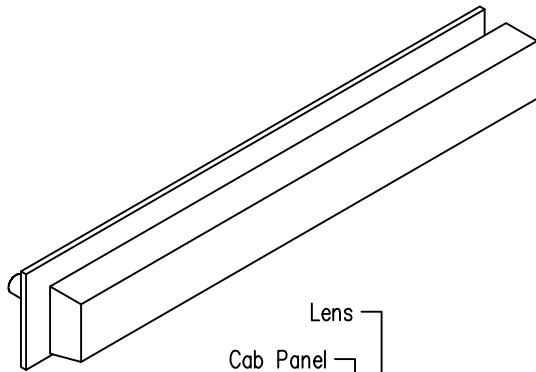


C.E. Electronics, Inc.
 2107 Industrial Drive
 Bryan, OH 43506
 PH (419) 636-6705 FX (419) 636-2516
 www.ceelectronics.com

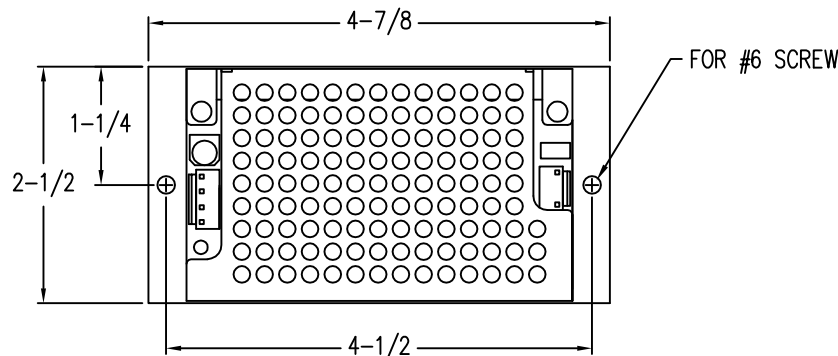
EPSL-XXX

Ver. 3 Rel. 9/4/2019

ACCESSORIES



BATTERY
 12Vdc; 1.3 AH




Power Supply Assembly

EPSL-XXX SLIMLITE EMERGENCY LIGHT

Compact emergency light designed to ASME 17.1 standards. Employ's a slim, 5-7/8 inch x 3/4 inch lens White LED strip plugs directly into Micro Comm feed or other power supplies from 18-24Vdc or 12Vdc; 1.3 AH sealed lead acid battery.

Features:

- UL/CSA Recommended 
- Small profile/compact design
- Meets ASME 17.1 Standards
- Mounts to panel with (3) Ø1/4 inch holes
- Only uses 1 inch high x 6 inch wide space
- 4+ hours of light
- 1 hour alarm

Optional High Voltage Power Supply Assembly

CE #940101301

100-240Vac input w/ 13.6Vdc output

Charging power supply 60 watt with cables and mount 

TO ORDER - EPSL-XXX

O = OEM (NO BRACKET)
 B = BRACKET
 F = FIELD

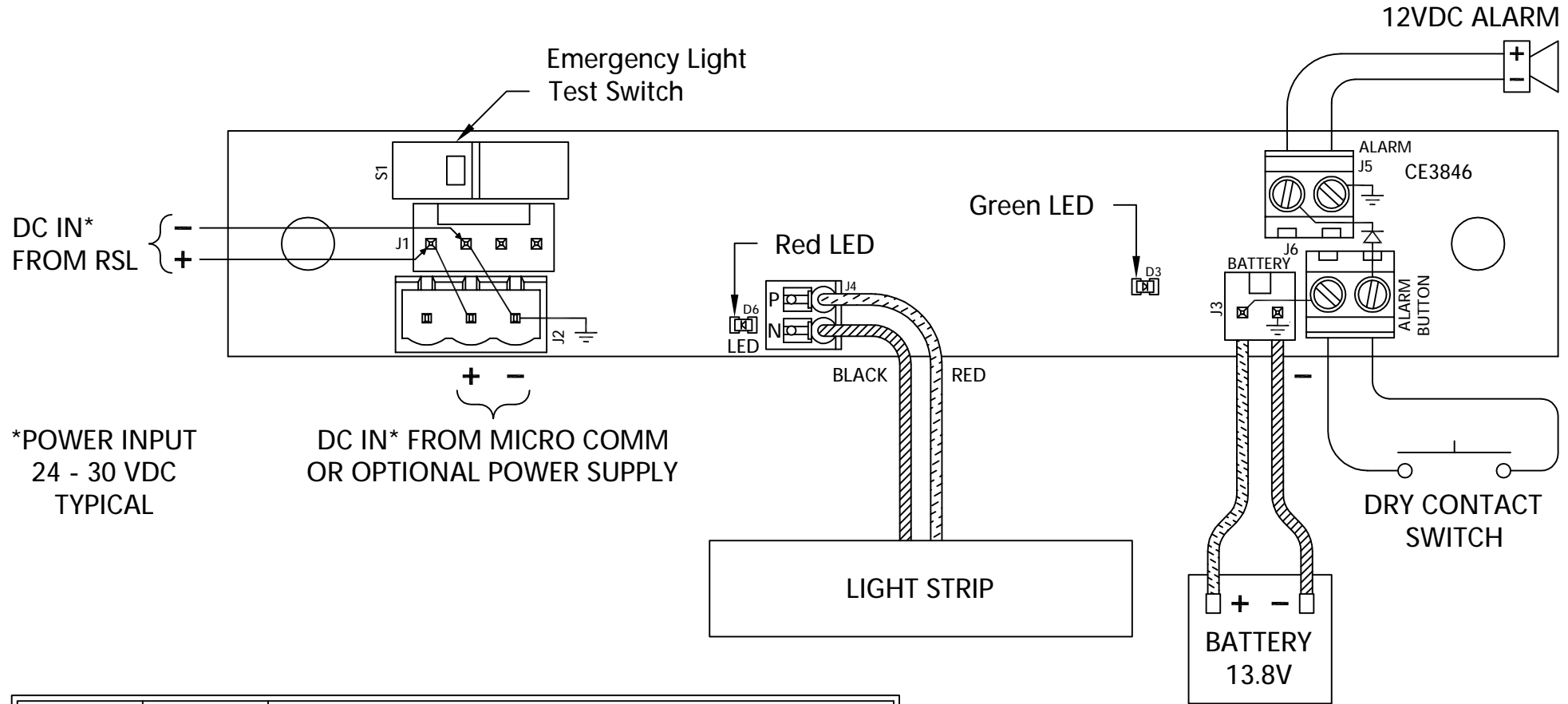
P = POWER SUPPLY
 X = NO POWER SUPPLY

S = SONALERT
 X = NO SONALERT

EPSL-XX

SLIMLINE EMERGENCY LIGHT

JOB# _____




*POWER INPUT
24 - 30 VDC
TYPICAL

DC IN* FROM MICRO COMM
OR OPTIONAL POWER SUPPLY

Red	Green	LED Indications
OFF	OFF	No Unit Power/No Battery Connected
OFF	ON	Battery Fully Charged/Not Connected
ON	OFF	Battery Charging or Power Off and Light Strip ON
ON	Blinking	No Unit Power/No Battery Connected
Blinking	--	Battery has exceeded its three-year life cycle.

BOARD VERSION CE3846 ____

DATE DRAWN: 02/01/18	DRAWN BY: DAC	REQUESTED BY: JK	 C.E. ELECTRONICS, INC. 2107 Industrial Drive Bryan, OH 43506 (419) 636-6705
BOARD NUMBER: 3846	LAST DATE REVISED: -	APPROVED BY:	
PRODUCT EP SL-XX SLIMLINE EMERGENCY LIGHT	DWG. NO. EP SL-XX_01	REV. -	