

# ENETB-XRXX

ELITE SERIES



## ELITE PI

The Elite ENET Bank interface can support up to 8 cars, customer Ethernet interface and a third party RS45 Ethernet streaming video input. The ENET Box communicates with Elite Series in cars via a single twisted shielded pair for transfers and streaming video from the HDINT. The HDINT can be wired into the ENET box easily to support HD to Ethernet for video streaming from a third party source.

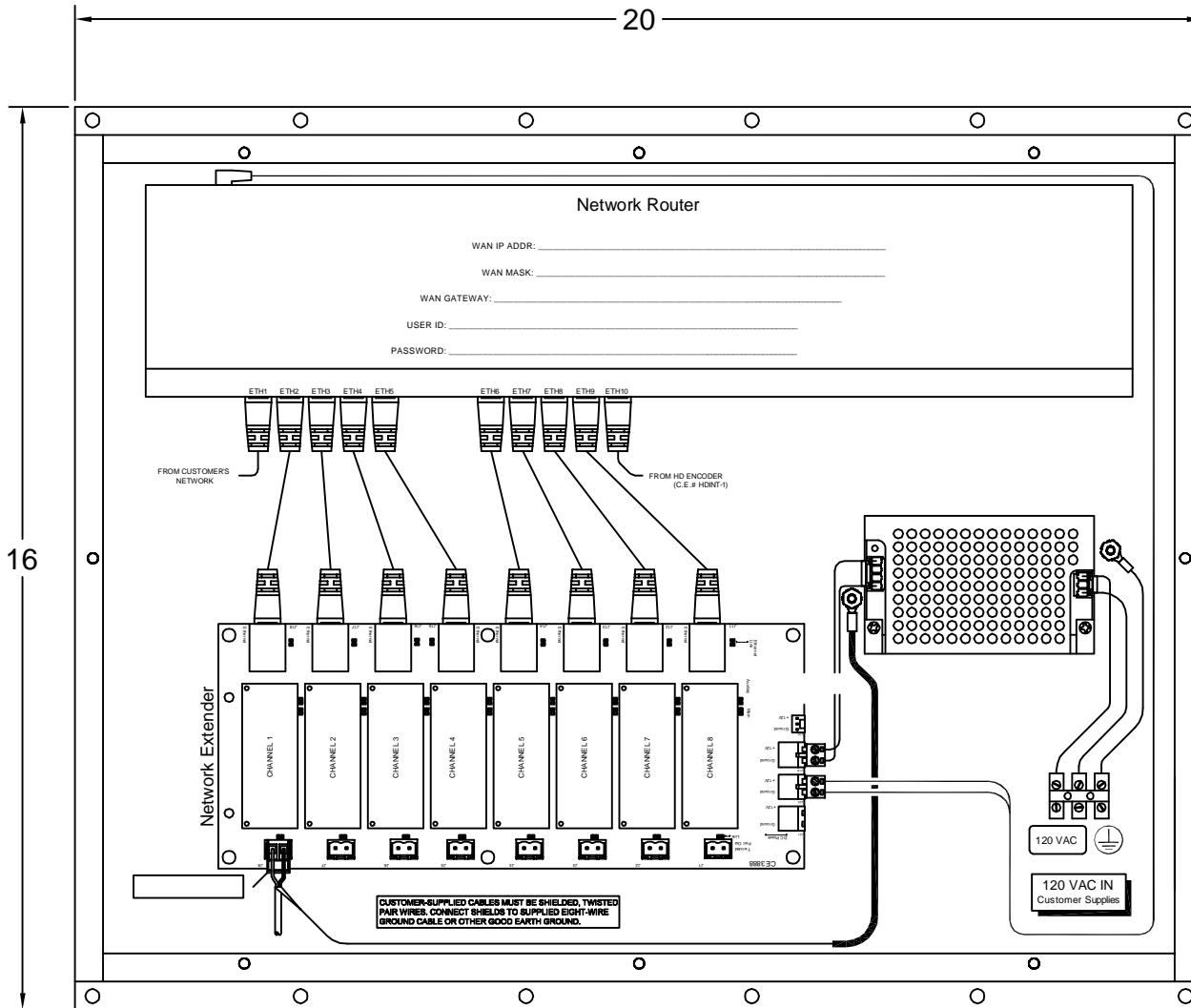
### OPTIONAL:

The HDINT can be wired into the ENET box easily to support HD to ethernet for video streaming from a 3rd party source.



**C.E. Electronics, Inc. (US)** 2107 Industrial Drive, Bryan, Ohio 43506 p: 419.636.6705 [www.cееlectronics.com](http://www.cееlectronics.com)

**C.E. Electronics, Ltd. (UK)** P.O. Box 1679 Marlow, Bucks SL7 3ZG, UK p: +44 (0) 1628 487633 [www.cееlectronics.co.uk](http://www.cееlectronics.co.uk)



NOTE: UNIT DEPTH; 4-3/4 INCHES

## ENETB-XRXX

The Elite ENET Bank interface can support up to 8 cars, customer Ethernet interface and a third party RS45 Ethernet streaming video input. The ENET Box communicates with Elite Series in cars via a single twisted shielded pair for transfers and streaming video from the HDINT. The HDINT can be wired into the ENET box easily to support HD to Ethernet for video streaming from a third party source.

### TO ORDER: - ENETB - X R X X

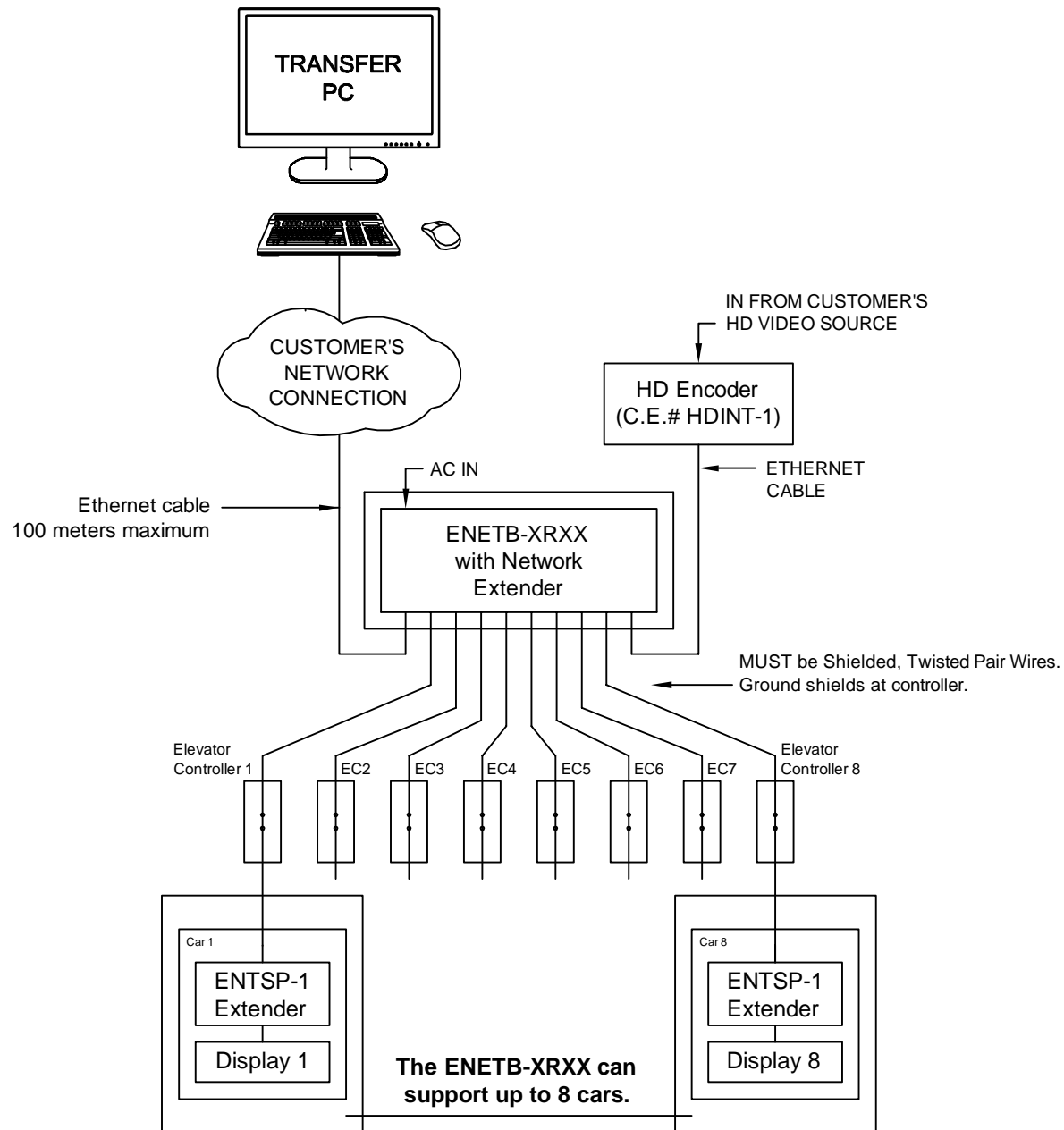
#### OPTION #4:

- "1" = 1 ETHERNET EXTENDER
- "2" = 2 ETHERNET EXTENDER
- "3" = 3 ETHERNET EXTENDER
- "4" = 4 ETHERNET EXTENDER
- "5" = 5 ETHERNET EXTENDER
- "6" = 6 ETHERNET EXTENDER
- "7" = 7 ETHERNET EXTENDER
- "8" = 8 ETHERNET EXTENDER



# ENETB-XRXX

Ver. 1 Rel. 4/13/2023



### Network Router

WAN IP ADDR: \_\_\_\_\_  
 WAN MASK: \_\_\_\_\_  
 WAN GATEWAY: \_\_\_\_\_  
 USER ID: \_\_\_\_\_  
 PASSWORD: \_\_\_\_\_

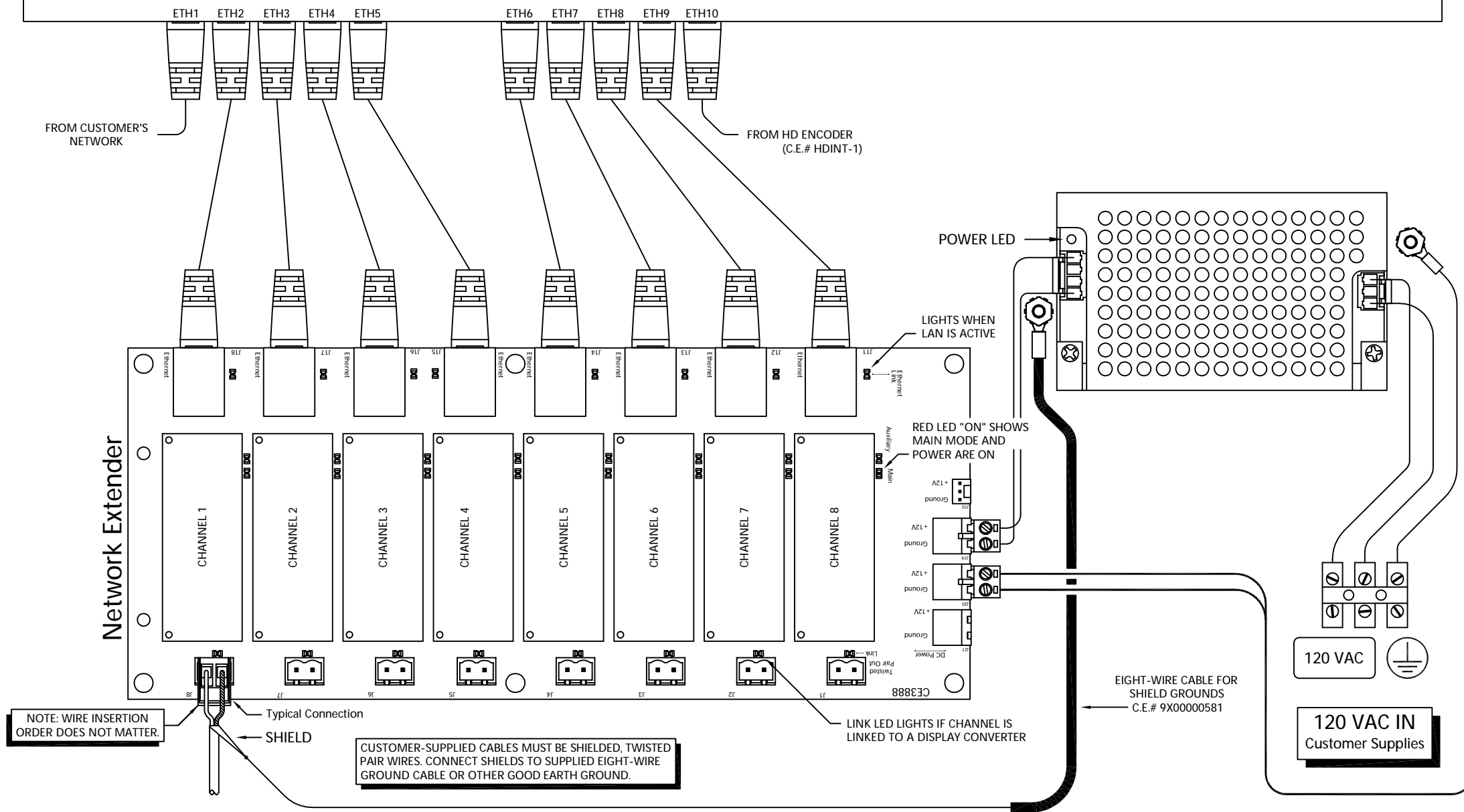
## ENETB-XRCX

### LAN - TWP NETWORK BOX

LAN (ETH10) IP ADDR: \_\_\_\_\_  
 LAN IP RANGE: \_\_\_\_\_  
 LAN IP MASK: \_\_\_\_\_  
 FIRMWARE: \_\_\_\_\_

CONVERTER MODE: \_\_\_\_\_  
 FIRMWARE: \_\_\_\_\_


**SEE ADDITIONAL  
INFORMATION ON BACK**



NOTE: WIRE INSERTION ORDER DOES NOT MATTER.

CUSTOMER-SUPPLIED CABLES MUST BE SHIELDED, TWISTED PAIR WIRES. CONNECT SHIELDS TO SUPPLIED EIGHT-WIRE GROUND CABLE OR OTHER GOOD EARTH GROUND.

LINK LED LIGHTS IF CHANNEL IS LINKED TO A DISPLAY CONVERTER

DATE DRAWN: 08/29/19	DRAWN BY: DAC	REQUESTED BY: TE	 C.E. ELECTRONICS, INC. 2107 Industrial Drive Bryan, OH 43506 (419) 636-6705
BOARD NUMBER: 3888	LAST DATE REVISED: 04/09/21	APPROVED BY:	
PRODUCT: ENETB-XRCX 1-8 CHANNEL LAN-TWP NETWORK BOX			DWG. NO.: ENETB_04
			REV. A

# ELITE PI® DISPLAY

