

# EMN70T-BIPX

7.0" Touch Screen



## TOUCH

7.0" Touch Screen

This touch screen is a flexible input which can be customized for any building or corporation. This customization can reflect architectural elements, color schemes, and corporate identity. Within this customization, information can be presented to passengers regarding floor input selection or handicap mode with a bank directory. Shared audio and video memory.

### TYPICAL APPLICATIONS:

- > Lobby & Floor Inputs
- > Security

### FEATURES:

- > Low cost
- > Low profile
- > Voice capable (WAV 16KHZ mono)
- > 256 Color
- > 25MB shared audio/video capability
- > 80 x 80 x 80 x 80 viewing angle
- > USB Update
- > PCAP Touch Sensor



**C.E. Electronics, Inc. (US)** 2107 Industrial Drive, Bryan, Ohio 43506 p: 419.636.6705 [www.ceelectronics.com](http://www.ceelectronics.com)

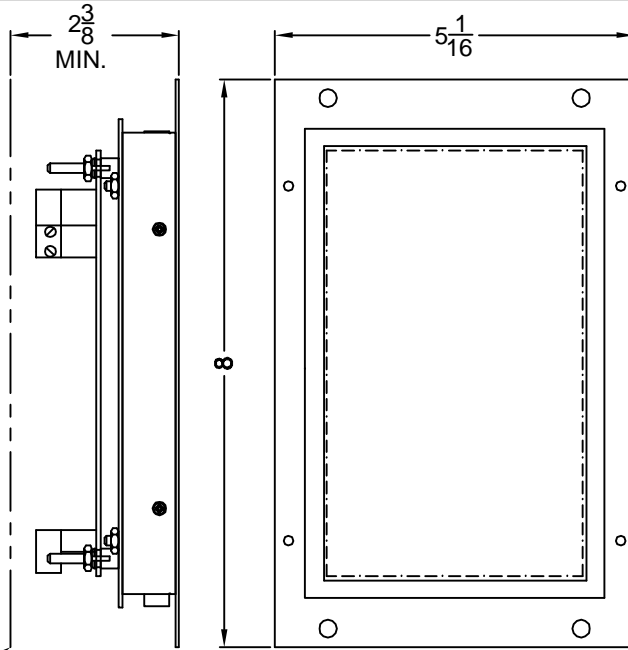
**C.E. Electronics, Ltd. (UK)** P.O. Box 1679 Marlow, Bucks SL7 3ZG, UK p: +44 (0) 1628 487633 [www.ceelectronics.co.uk](http://www.ceelectronics.co.uk)



# EMN70T-BIPX

Ver. 1 Rel. 2/4/2022

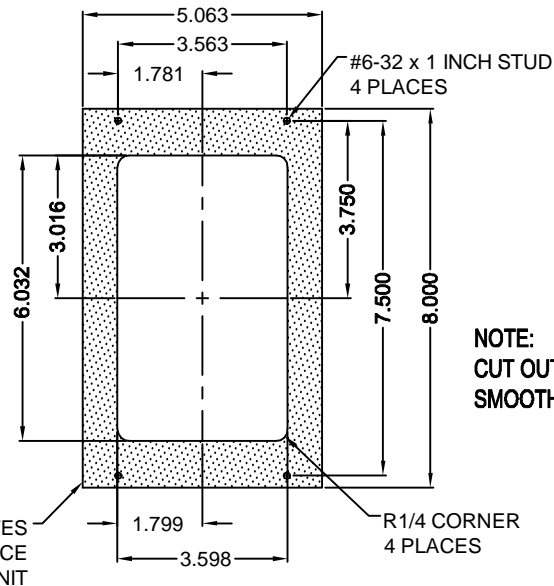
TOUCH™



CLEARANCE FOR CONNECTIONS

## PANEL PREP

AS VIEWED FROM FRONT



THIS LINE INDICATES CLEARANCE SPACE AROUND UNIT

NOTE:  
 CUT OUT TO BE  
 SMOOTH TO TOUCH

## 7.0 INCH Touch Screen

This touch screen is a flexible input which can be customized for any building or corporation. This customization can reflect architectural elements, color schemes, and corporate identity. Within this customization, information can be presented to passengers regarding floor input selection or handicap mode with a bank directory. Shared audio and video memory.

### Typical Applications

- Lobby & Floor Inputs
- Security

### Features:

- Low cost
- Low profile
- Voice capable (WAV 16KHZ mono)
- 256 Color
- 25MB shared audio/video capability
- 80 x 80 x 80 x 80 viewing angle
- USB Update
- PCAP Touch Sensor

## TO ORDER: - EMN70T - BIPX

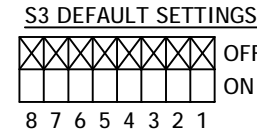
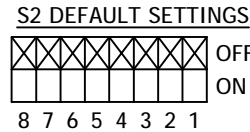
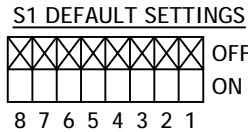
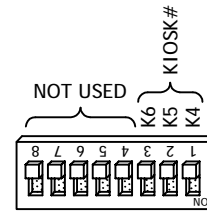
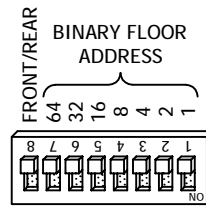
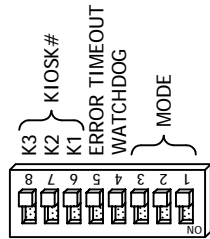
"N" = Remote USB cable

**Some features may not be available for your system. Please check with your manufacture for special features.**

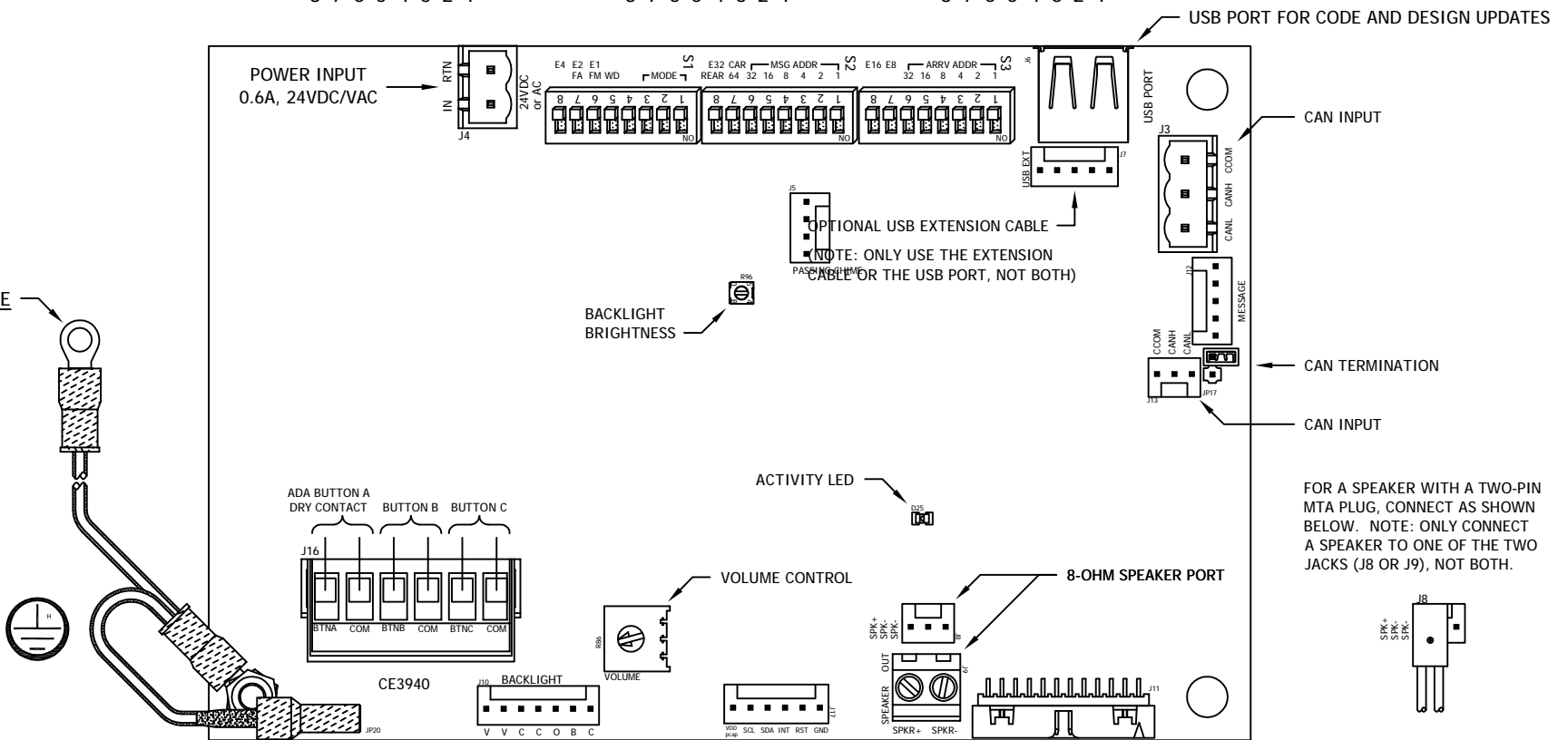
RELATED DRAWINGS	
DESCRIPTION	DRAWING NAME
PANEL PREP.	PP70T-1
DETAIL DIM.	DD70T-1

# 7.0 TOUCH UNIT

JOB# \_\_\_\_\_



2-FT. GROUND WIRE  
CONNECT TO  
EARTH GROUND



BOARD VERSION CE3940 \_\_\_\_

TOUCH CODE VERSION \_\_\_\_\_

DESIGN VERSION \_\_\_\_\_

NOTE: SETUP INFORMATION IS ON THE BACK OF THIS PAGE.

DATE DRAWN: 01/22/20	DRAWN BY: DAC	REQUESTED BY: TE	C.E. ELECTRONICS, INC. 2107 Industrial Drive Bryan, OH 43506 (419) 636-6705
BOARD NUMBER: 3940	LAST DATE REVISED: 07/17/24	APPROVED BY:	
PRODUCT EMN70T-B ELITE TOUCH® UNIT		DWG. NO. EMN70T-B_02	

## S1 DIP SWITCH SETTINGS

### DIP Switches 1, 2, 3 - Run Mode

DS1	DS2	DS3	UNIT RUN MODE
OFF	OFF	OFF	Normal Operation
OFF	ON	OFF	Not Used at the present time
ON	OFF	OFF	Test Mode - Unit will cycle through all of the panels in the design. Used to examine the display programming.
ON	ON	OFF	Factory Test Mode - shows various status data in text on the screen (DIP switch settings, play test audio, button status, SD card present detect, touch status).
ON	OFF	ON	Touch Screen Calibration (Follow On-screen Prompts)
ON	ON	ON	Not Used at the present time
<b>DEMO MODE (S2 1-7 ON)</b>			
OFF	OFF	OFF	Dispatch
OFF	OFF	ON	Down Only
OFF	ON	OFF	Up Only
OFF	ON	ON	Both Up and Down

### DIP Switch 4 - (WD) - Watchdog

- OFF = Processor resets on lockups.
- ON = Processor does NOT reset on lockups.

### DIP Switch 5 - CAN Communication Error Timeout

- OFF = Unit will show *No Communication / Out Of Service* on the screen if CAN packets aren't received from the DSC within 70 seconds.
- ON = Unit will never timeout for loss of CAN packets. Development and Demo Mode use.

### S1 DIP Switches 6, 7, 8 and S3 DIP Switches 1, 2 Kiosk Location (or Number of Elevators in DEMO MODE)

S3-2 (K5)	S3-1 (K4)	S1-8 (K3)	S1-7 (K2)	S1-6 (K1)	Kiosk Location of this unit
OFF	OFF	OFF	OFF	OFF	Kiosk Location = 1
OFF	OFF	OFF	OFF	ON	Kiosk Location = 2
OFF	OFF	OFF	ON	OFF	Kiosk Location = 3
ON	ON	ON	OFF	ON	Kiosk Location = 30
ON	ON	ON	ON	OFF	Kiosk Location = 31
ON	ON	ON	ON	ON	Kiosk Location = 32

## S2 DIP SWITCH SETTINGS

### DIP Switches 1-7 - Unit Floor Number: set for the floor the unit is installed on.

DS7 (64)	DS6 (32)	DS5 (16)	DS4 (8)	DS3 (4)	DS2 (2)	DS1 (1)	FLOOR NUMBER OF THIS UNIT
OFF	OFF	OFF	OFF	OFF	OFF	OFF	Floor Number = 1
OFF	OFF	OFF	OFF	OFF	OFF	ON	Floor Number = 2
OFF	OFF	OFF	OFF	OFF	ON	OFF	Floor Number = 3
OFF	OFF	OFF	OFF	OFF	ON	ON	Floor Number = 4
OFF	OFF	OFF	OFF	ON	OFF	OFF	Floor Number = 5
OFF	OFF	OFF	OFF	ON	OFF	ON	Floor Number = 6
:	:	:	:	:	:	:	:
:	:	:	:	:	:	:	:
ON	ON	ON	ON	ON	OFF	ON	Floor Number = 126
ON	ON	ON	ON	ON	ON	OFF	Floor Number = 127
ON	ON	ON	ON	ON	ON	ON	DEMO MODE

### DIP Switch 8 - (R) - Front/Rear: Set to Front/Rear as required by installation.

- OFF = Unit is set as a Front unit.
- ON = Unit is set as a Rear unit.

### Loading Code and Design Updates from a USB Flash Drive


To load a new code or design file, plug the USB Flash Drive into the USB port on the Touch unit. After a few seconds, the Touch unit prompts that it will reboot in four seconds. On reboot, the unit looks for a code (.BEC) file, loads it if present, and reboots again. After the second reboot (or if no code file exists), the unit looks for a design (.BND) file and loads it if present. The unit runs the new design after it finishes loading. Disconnect the USB Flash Drive from the Touch unit.

### Activity LED - Flashes to indicate the processor is operating.

### Adjusting Audio Volume

If audio is needed, connect a four-ohm or eight-ohm speaker to connector J4 using a two-pin MTA connector. Set up the volume by adjusting the Volume pot (3/4-turn pot). Adjusting counter-clockwise increases the volume.

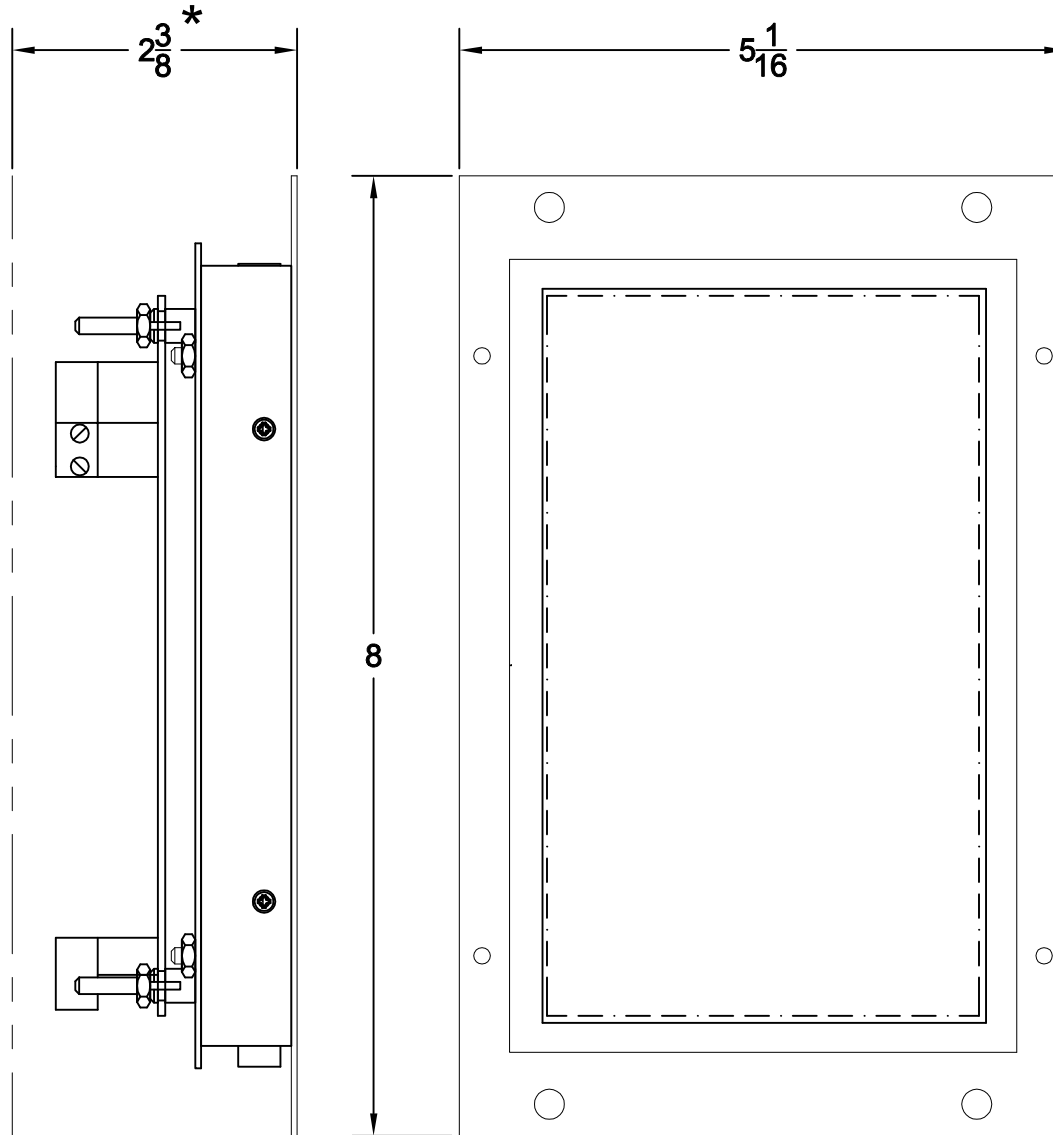
**WARNING:** Do NOT use excessive force on the pot - it is plastic and could break.

DATE DRAWN: 05/31/12	DRAWN BY: DAC	REQUESTED BY: TE	 C.E. ELECTRONICS, INC. 2107 Industrial Drive Bryan, OH 43506 (419) 636-6705
BOARD NUMBER: N/A	LAST DATE REVISED: 06/08/20	APPROVED BY:	
PRODUCT TOUCH SCREEN SETUP SHEET (C)			DWG. NO. TOUCH_SETUP REV: E


# DD70T-1

Ver. 1 Rel. 5/15/2015

\* THIS LINE INDICATES  
CLEARANCE SPACE  
AROUND UNIT

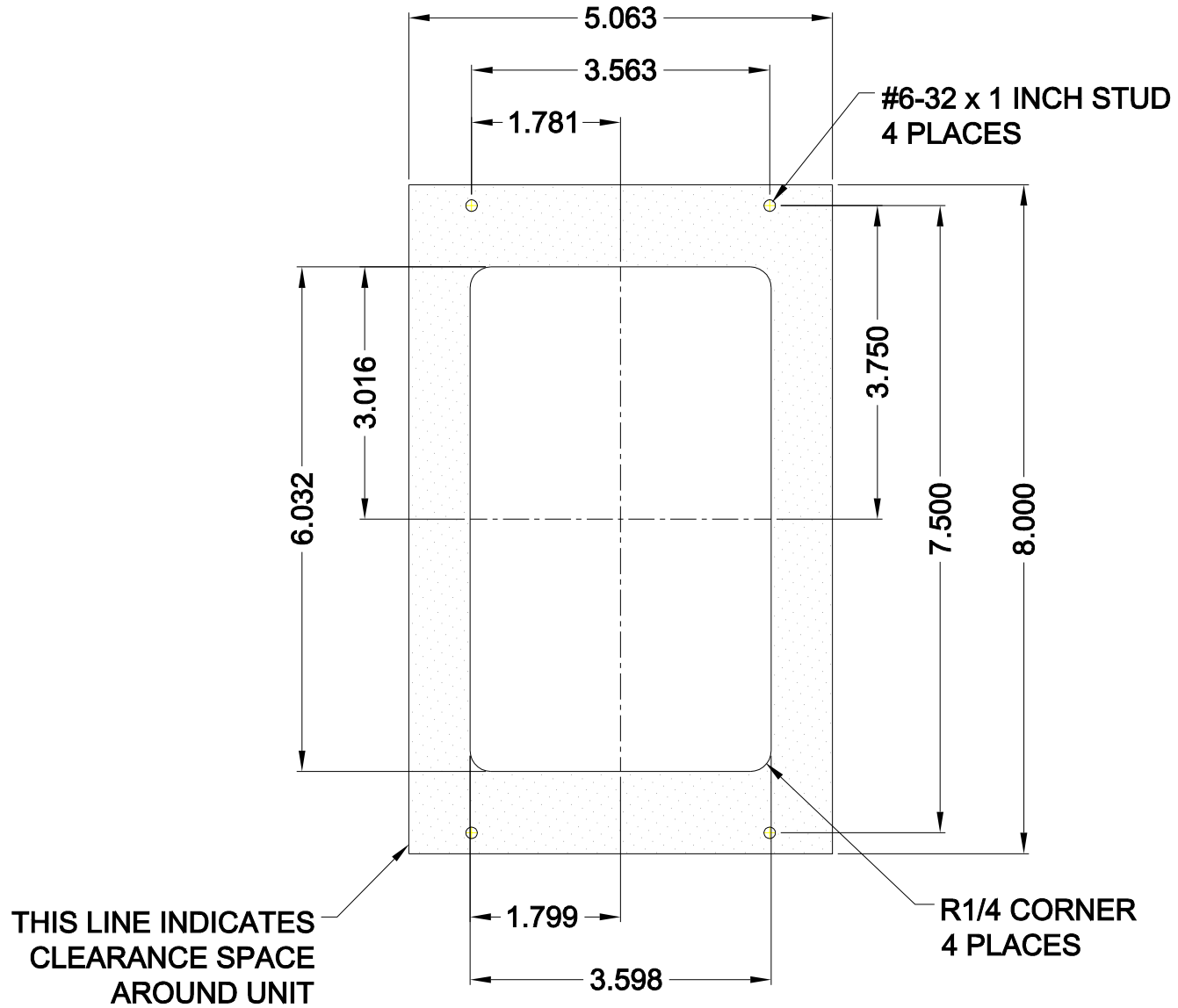


LENS NUMBER:	BOARD # & REV:
APPROVED BY:	
Signature: _____	
Date: _____	
Company: _____	

DATE DRAWN: 5/15/2015	LAST DATE REVISED:	SCALE: NONE	PART #:
DRAWN BY: DWS	TOLERANCE UNLESS OTHERWISE SPECIFIED:		 <b>C.E. ELECTRONICS, INC.</b> 2107 Industrial Drive Bryan, Ohio 43506 (419) 636-6705
REQUESTED BY: TE	TOLERANCE FOR CUTOUT (WINDOW):		
TITLE:	DWG. NO. DD70T-1	REV:	

# PP70T-1

Ver. 4 Rel. 1/27/2017



LENS NUMBER:	BOARD # & REV:
APPROVED BY:	
Signature: _____	
Date: _____	
Company: _____	

DATE DRAWN: 5/15/2015	LAST DATE REVISED:	SCALE NONE	PART #:
DRAWN BY: DWS	TOLERANCE UNLESS OTHERWISE SPECIFIED: ±.015		 C.E. ELECTRONICS, INC. 2107 Industrial Drive Bryan, Ohio 43508 (419) 636-6705
REQUESTED BY: TE	TOLERANCE FOR CUTOUT (WINDOW):		
TITLE: PANEL PREP FOR 7.0 TOUCH UNIT			DWG. NO. PP70T-1
			REV: