

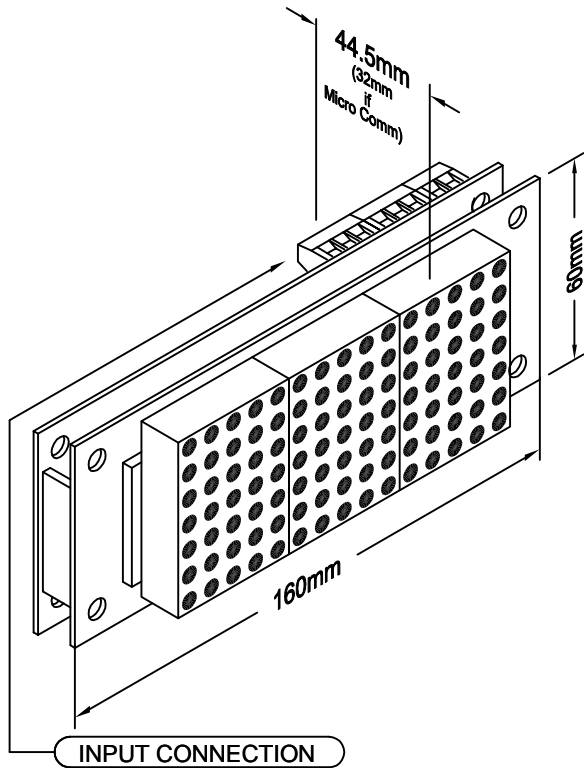


C.E. Electronics, Inc.  
 2107 Industrial Drive  
 Bryan, OH 43506  
 PH (419) 636-6705 FX (419) 636-2516  
 www.ccelectronics.com

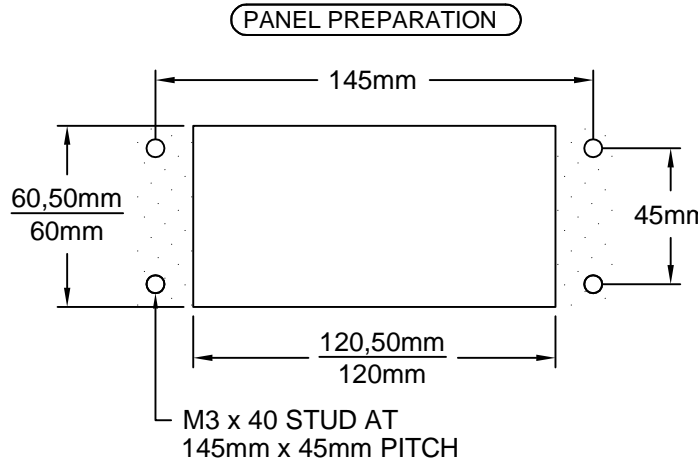
# EH320-XXXX

Ver. 8 Rel. 11/21/2016

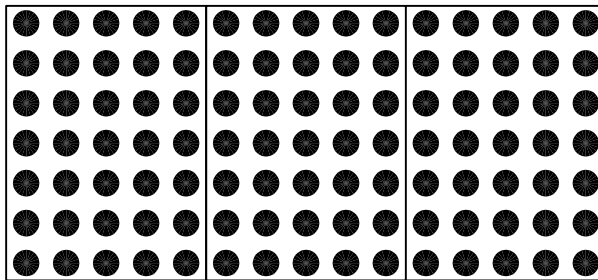
EUROPEAN  
 SERIES



**INPUT CONNECTION**  
 SCREW TYPE INPUT CONNECTOR  
 12-24VAC/DC INPUT POWER  
 AND SIGNAL INPUTS



**RENEWAL PARTS**  
 Lens: 104-5580 RED  
 Lens: 104-6032 GRAY  
 Lens: 104-9032 BLUE



50mm CHARACTERS

**NOTE:**  
 1. If a special voltage is required, please consult factory.  
 2. A supply of 12-24VAC/DC positive or negative is also required.  
 \*3. This is not a stand alone unit.  
 Must be used in conjunction with a Micro Comm interface.

## DOT MATRIX

Dot Matrix LED Digital Indicator for floor position display, as well as car direction, if desired. Any alphanumeric or custom character can be displayed in either single digit with separate "UP" and "DOWN" arrow. Double digit with single "UP/DOWN" arrow, or triple digit floor designations.

### Typical Applications:

- Car-OP Panel
- Transom-car or Hall

### Features:

- Low cost design
- Self contained unit
- Latched input
- Scrolling & roll over
- Hall lantern option
- Passing chime output
- Self Testing
- Message inputs
- Error detection and correction feature

TO ORDER - SPECIFY EH320 - X X X X X

### COLOR:

- "R" = RED
- "A" = AMBER
- "G" = GREEN
- "B" = BLUE
- "W" = WHITE
- "M" = MIXED

### LENS:

- "R" = RED
- "G" = GRAY
- "B" = BLUE
- "X" = NO LENS

### NUMBER OF INPUTS:

- "1" = 8 INPUTS
- "2" = 15 INPUTS
- "M" = MICRO COMM 3 WIRE INPUT \*
- "P" = MICRO COMM INPUT W/ PASSING CHIME\*
- "S" = BOTH DIRECT & MICRO COMM INPUT

### SIGNAL VOLTAGE:

- "A" = POSITIVE 6-20VDC, 6-24VAC
- "B" = POSITIVE 24-48VDC, 24-48VAC
- "C" = 120VAC
- "D" = POSITIVE 125VDC
- "E" = NEGATIVE 6-20VDC
- "F" = NEGATIVE 24-48VDC
- "G" = NEGATIVE 125VDC
- "X" = IF MICRO COMM

### SIGNAL FORMAT:

- "1" = SINGLE LINE/FLOOR
- "2" = BINARY
- "4" = GRAY CODE
- "6" = SPECIAL
- "X" = NO SELECTION