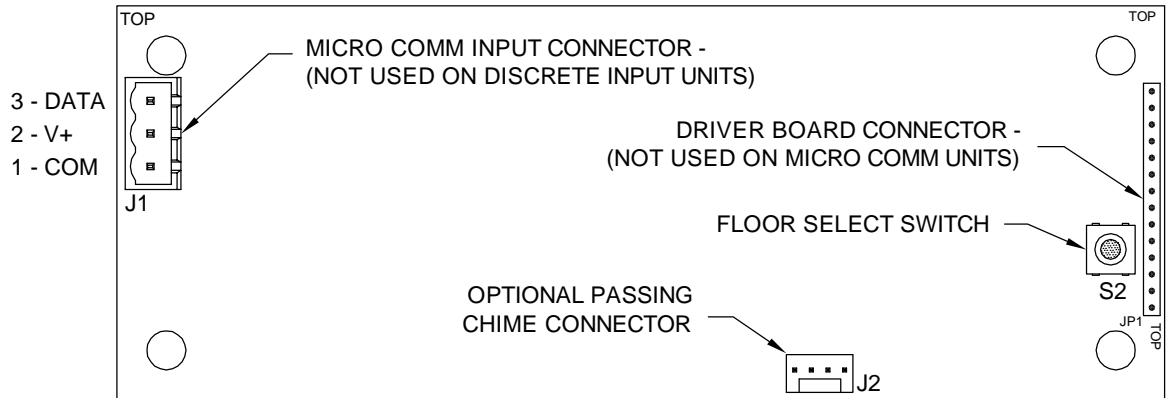


EURO DM THREE-CUBE DISPLAYS

CE3046 DISPLAY BOARD

JOB# _____



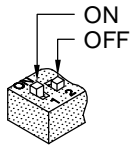
CE3046 BACK VIEW

DIP SWITCH DETAIL

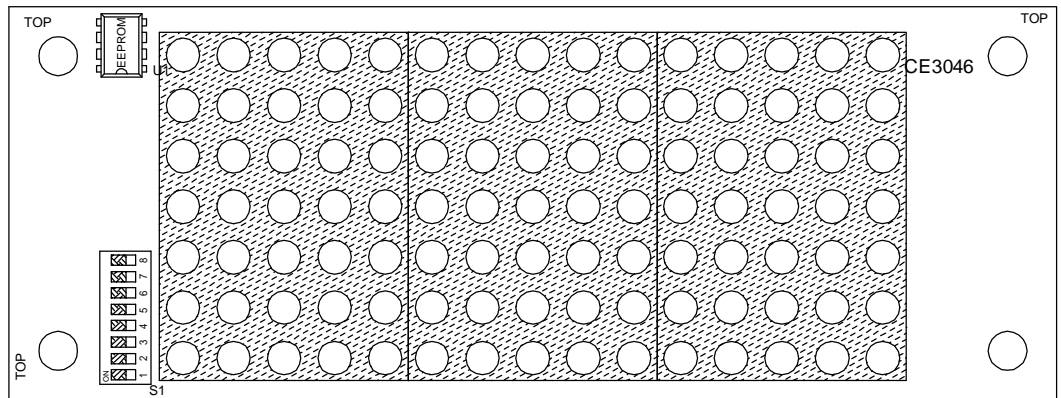
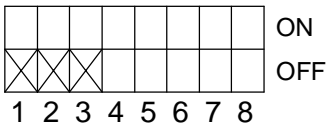


- 1 SELF-TEST
- 2 REDUNDANCY
- 3 FIRE ALT BLANK
- 4 FIRE MAIN BLANK
- 5 UP/DN ROLL RATE
- 6 SIDE SCROLL RATE
- 7
- 8

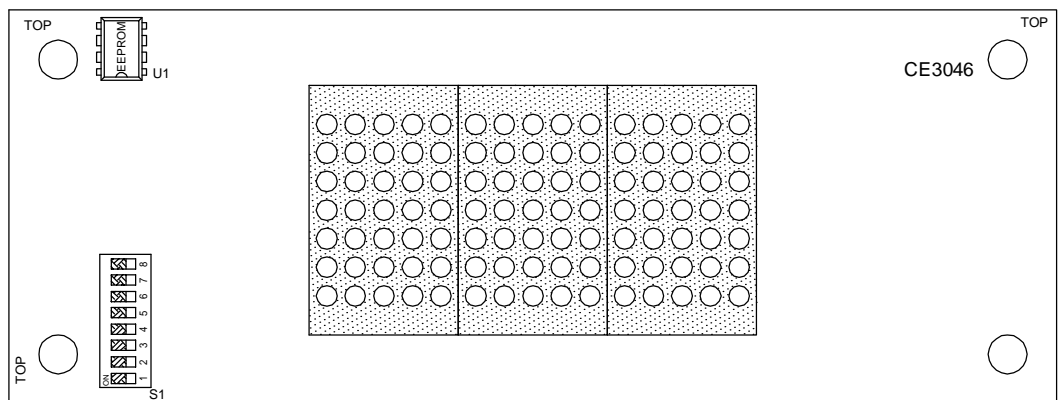
S2 FLOOR SELECT SWITCH - SETS THE DISPLAY TO SHOW AN ARRIVAL ARROW WHEN THE CAR IS AT A SPECIFIC FLOOR. TO SET THE UNIT FOR ARRIVAL MODE, POSITION THE CAR AT THE DESIRED FLOOR OR TURN ON SELF-TEST. WHEN THE DISPLAY SHOWS THE DESIRED FLOOR, PRESS AND HOLD S2 UNTIL THE FLOOR POSITION CHANGES TO AN ARROW. TO RETURN TO NORMAL OPERATION, PRESS AND HOLD S2 UNTIL THE ARROW CHANGES TO THE FLOOR POSITION.



DEFAULT SETTINGS



EH320



EH310

CODE VERSION _____

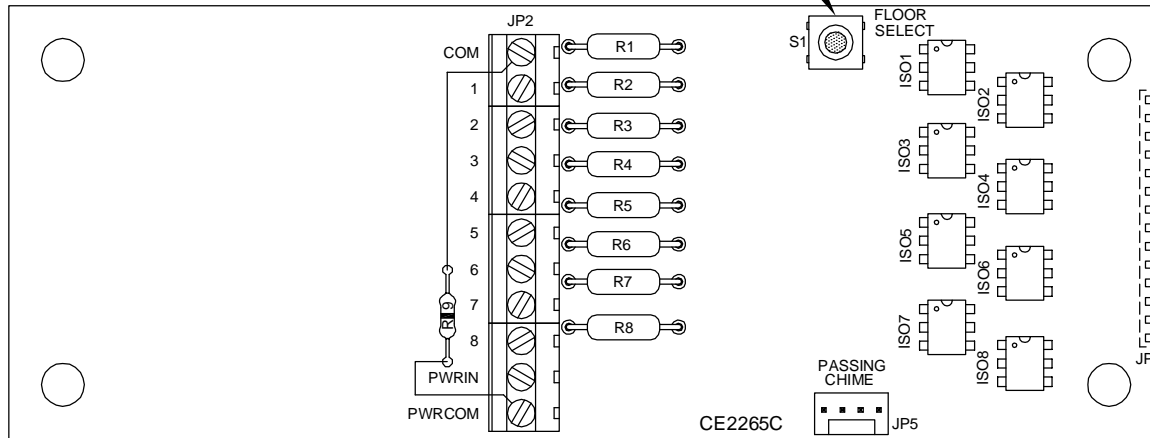
BOARD VERSION CE3046 _____

DATE DRAWN: 08/04/05	DRAWN BY: DAC	REQUESTED BY: DV	<p>C.E. ELECTRONICS, INC. 2107 Industrial Drive Bryan, Ohio 43506 (419) 636-6705</p>
BOARD NUMBER: 3046	LAST DATE REVISED: 10/29/10	APPROVED BY:	
PRODUCT EURO DM THREE-DIGIT DISPLAYS			
DWG. NO. EURODM 05			REV. A

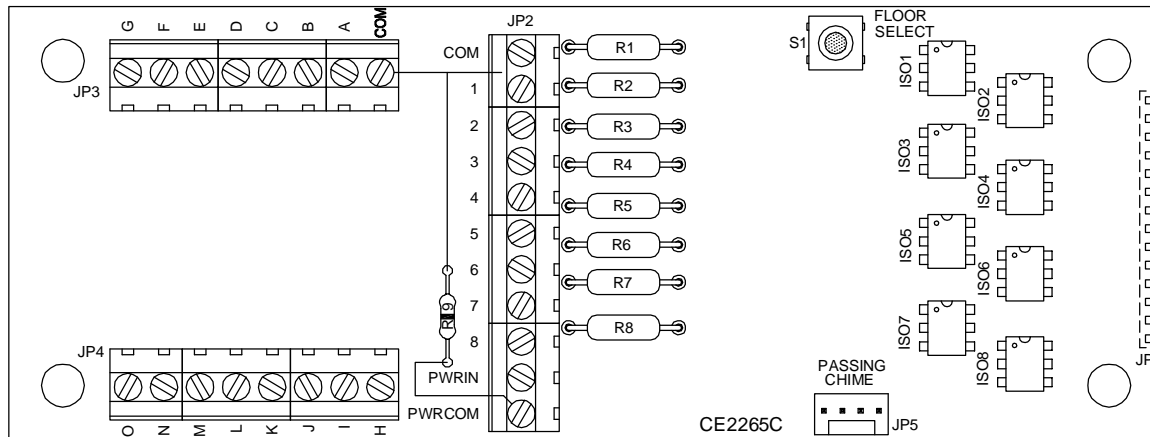
EURO DM DRIVER BOARD

JOB# _____

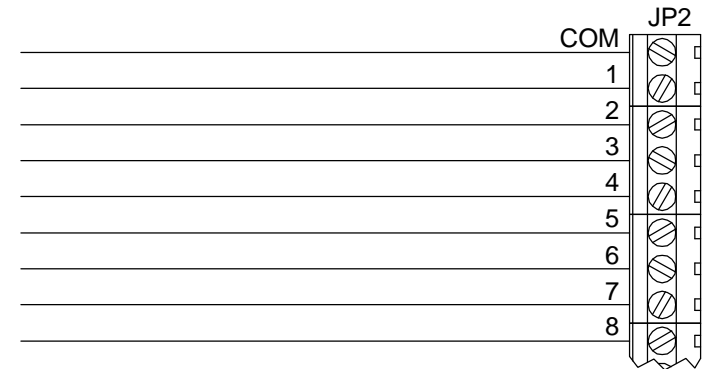
SEE THE DISPLAY DIAGRAM FOR INSTRUCTIONS ON USING FLOOR SELECT SWITCH S1. S1 ON THE DRIVER BOARD AND S2 ON THE DISPLAY BOARD SERVE THE SAME PURPOSE; USE EITHER ONE.



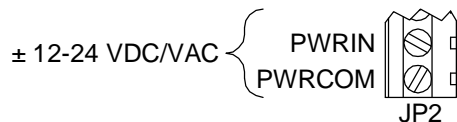
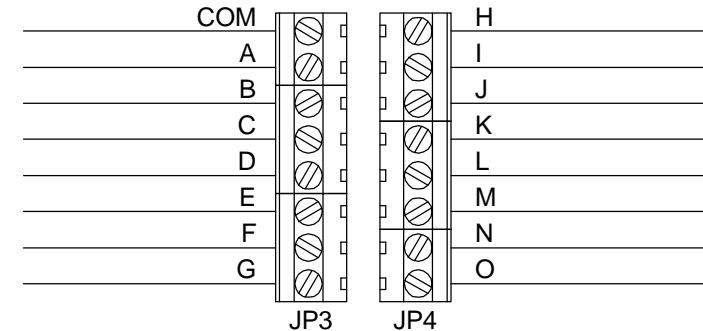
8-INPUT DRIVER BOARD



15-INPUT DRIVER BOARD



NOTE: THE COMMONS ON JP2 AND JP3 ARE TIED TOGETHER ON THE BOARD. ZERO OHM RESISTOR R9 IS USED TO TIE THE POWER COMMON TO THE FLOOR INPUT COMMON.



**SIGNAL
VOLTAGE**
(FROM CONTROLLER)

**SIGNAL
COMMON**

BOARD VERSION CE2265 ____

DATE DRAWN: 08/04/05	DRAWN BY: DAC	REQUESTED BY: DV	 C.E. ELECTRONICS, INC. 2107 Industrial Drive Bryan, Ohio 43506 (419) 636-8705
BOARD NUMBER: 2265	LAST DATE REVISED: 11/01/10	APPROVED BY:	
PRODUCT EURO DM DISCRETE DRIVER BOARD			
DWG. NO.: EURODM 04			REV: A