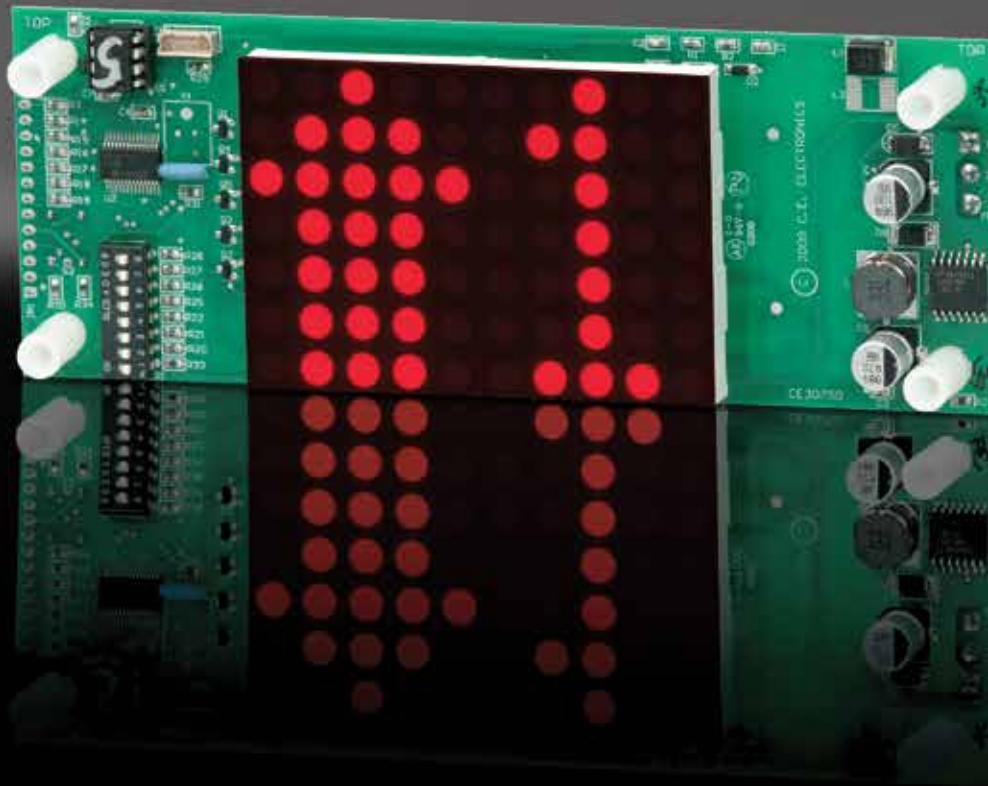


> EH220-XXXXX

50mm [2"] CHARACTERS



EUROPEAN DOT MATRIX LED

Dot Matrix LED digital indicator for floor position display, as well as car direction, if desired. Any alphanumeric or custom character can be displayed in either single digit with arrow or double digit floor designations.

TYPICAL APPLICATIONS:

- > Car-OP Panel
- > Transom-car or Hall

FEATURES:

- > Low cost design
- > Self contained unit
- > Latched input
- > Scrolling & roll over
- > Hall lantern option
- > Passing chime output
- > Self Testing
- > Message inputs
- > Error detection and correction feature



C.E. Electronics, Inc.
C.E. Electronics, Ltd.
International Lift Equipment (ILE)

2107 Industrial Drive Bryan, OH 43506
Marlow, Bucks, UK
Highams Park, London, UK

ph: 419.636.6705
ph: +44 (0) 1628 487633
ph: 0208 527 9669

www.cееlectronics.com
www.cееlectronics.co.uk
www.ileweb.com



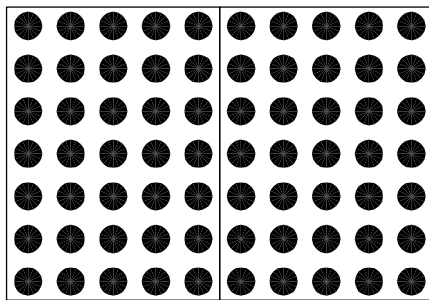
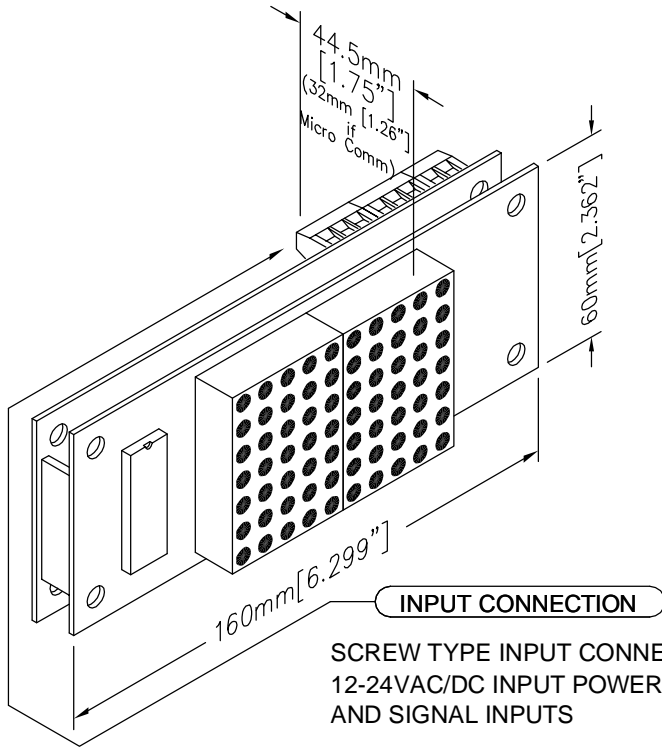


C.E. Electronics, Inc.
 2107 Industrial Drive
 Bryan, OH 43506
 PH (419) 636-6705 FX (419) 636-2516
 www.ceelectronics.com

EH220-XXXX

Ver. 6 Rel. 04/21/10

EUROPEAN
 SERIES



50mm [2"] CHARACTERS

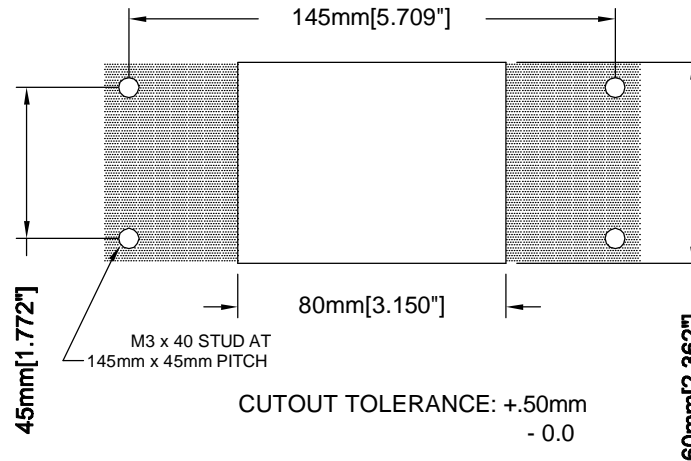
NOTE:

1. If a special voltage is required, please consult factory.
2. A supply of 12-24VAC/DC positive or negative is also required.
- *3. This is not a stand alone unit.
 Must be used in conjunction with a Micro Comm interface.
- *4. Blue can not be mixed with other colors

RENEWAL PARTS

- Lens: 104-5579 RED
- Lens: 104-6079 GRAY
- Lens: 104-9079 BLUE

PANEL PREPARATION



DOT MATRIX

Dot Matrix LED Digital Indicator for floor position display, as well as car direction, if desired. Any alphanumeric or custom character can be displayed in either single digit with arrow or double digit floor designations.

Typical Applications:

- Car-OP Panel
- Transom-car or Hall

Features:

- Low cost design
- Self contained unit
- Latched input
- Scrolling & roll over
- Hall lantern option
- Passing chime output
- Self Testing
- Message inputs
- Error detection and correction feature

TO ORDER - SPECIFY EH220 - X X X X X

COLOR:

- "R" = RED
- "A" = AMBER
- "G" = GREEN
- "B" = BLUE *
- "M" = MIXED

LENS:

- "R" = RED
- "G" = GRAY
- "B" = BLUE
- "X" = NO LENS

NUMBER OF INPUTS:

- "1" = 8 INPUTS
- "2" = 15 INPUTS
- "M" = MICRO COMM 3 WIRE INPUT*
- "P" = MICRO COMM INPUT W/ PASSING CHIME*
- "S" = BOTH DIRECT & MICRO COMM INPUT

SIGNAL VOLTAGE:

- "A" = POSITIVE 6-20VDC, 6-24VAC
- "B" = POSITIVE 24-48VDC, 24-48VAC
- "C" = 120VAC
- "D" = POSITIVE 125VDC
- "E" = NEGATIVE 6-20VDC
- "F" = NEGATIVE 24-48VDC
- "G" = NEGATIVE 125VDC
- "X" = IF MICRO COMM

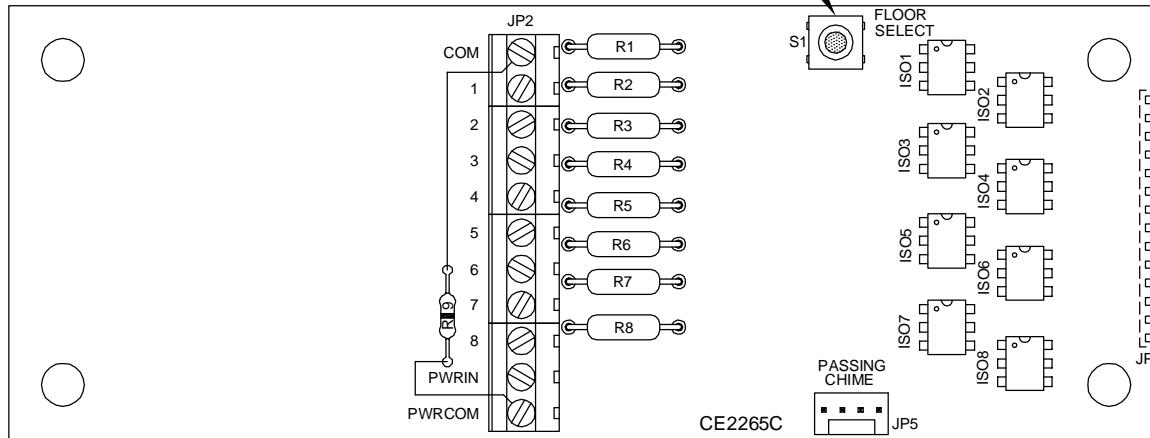
SIGNAL FORMAT:

- "1" = SINGLE LINE/FLOOR
- "2" = BINARY
- "4" = GRAY CODE
- "6" = SPECIAL
- "X" = NO SELECTION

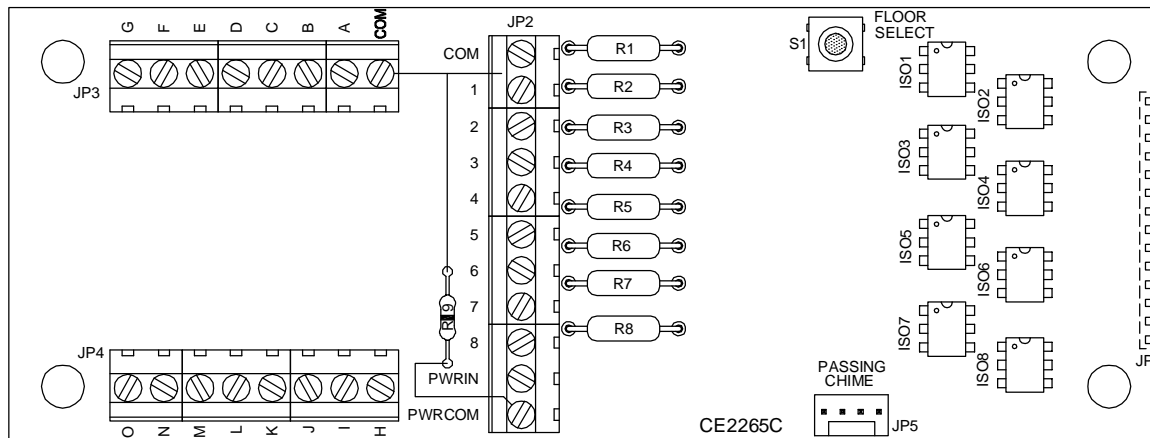
EURO DM DRIVER BOARD

JOB# _____

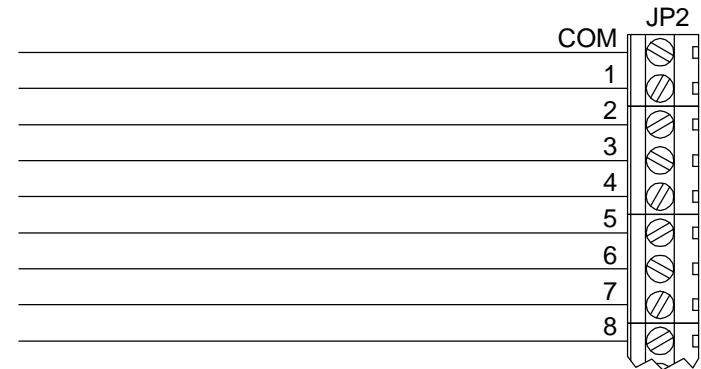
SEE THE DISPLAY DIAGRAM FOR INSTRUCTIONS ON USING FLOOR SELECT SWITCH S1. S1 ON THE DRIVER BOARD AND S2 ON THE DISPLAY BOARD SERVE THE SAME PURPOSE, SO YOU CAN USE EITHER ONE.



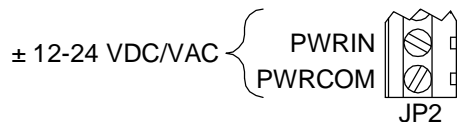
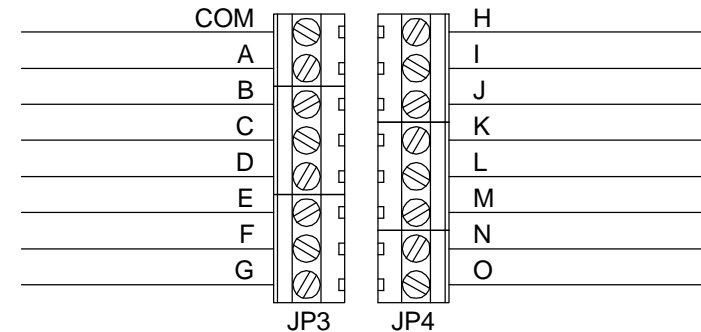
8-INPUT DRIVER BOARD



15-INPUT DRIVER BOARD



NOTE: THE COMMONS ON JP2 AND JP3 ARE TIED TOGETHER ON THE BOARD. ZERO OHM RESISTOR R9 IS USED TO TIE THE POWER COMMON TO THE FLOOR INPUT COMMON.



**SIGNAL
VOLTAGE**
(FROM CONTROLLER)

**SIGNAL
COMMON**

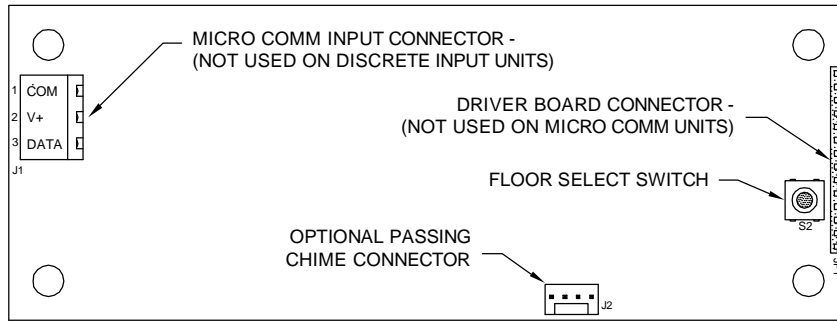
BOARD VERSION CE2265 ____

DATE DRAWN: 08/04/05	DRAWN BY: DAC	REQUESTED BY: DV	 C.E. ELECTRONICS, INC. 2107 Industrial Drive Bryan, Ohio 43506 (419) 636-8705
BOARD NUMBER: 2265	LAST DATE REVISED: -	APPROVED BY:	
PRODUCT EURO DM DISCRETE DRIVER BOARD			
DWG. NO. EURODM 04			REV. -

EURO DM TWO-CUBE DISPLAYS

JOB# _____

CE3075 DISPLAY BOARD



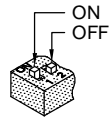
CE3075 BACK VIEW

S2 FLOOR SELECT SWITCH - SETS THE DISPLAY TO SHOW AN ARRIVAL ARROW WHEN THE CAR IS AT A SPECIFIC FLOOR. TO SET THE UNIT FOR ARRIVAL MODE, POSITION THE CAR AT THE DESIRED FLOOR OR TURN ON SELF-TEST. WHEN THE DISPLAY SHOWS THE DESIRED FLOOR, PRESS AND HOLD S2 UNTIL THE FLOOR POSITION CHANGES TO AN ARROW. TO RETURN TO NORMAL OPERATION, PRESS AND HOLD S2 UNTIL THE ARROW CHANGES TO THE FLOOR POSITION.

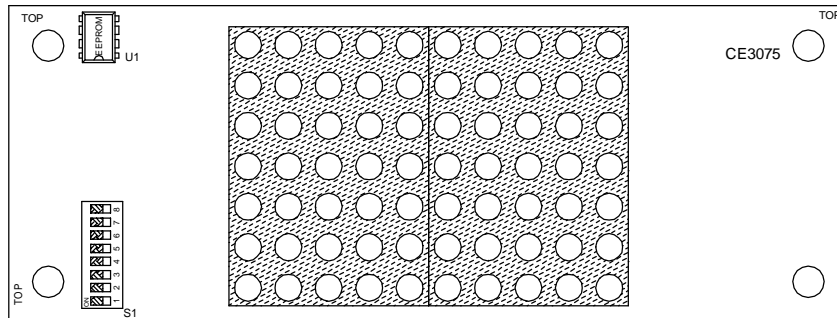
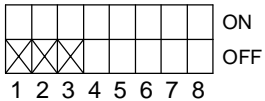
DIP SWITCH DETAIL



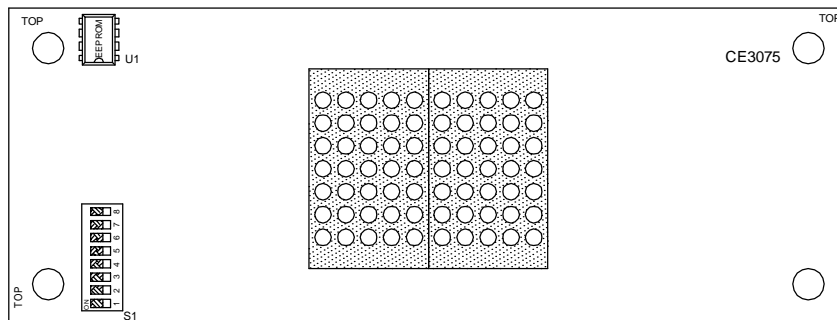
- 1 SELF-TEST
- 2 REDUNDANCY
- 3 FIRE ALT BLANK
- 4 FIRE MAIN BLANK
- 5 UP/DN ROLL RATE
- 6 SIDE SCROLL RATE
- 7
- 8



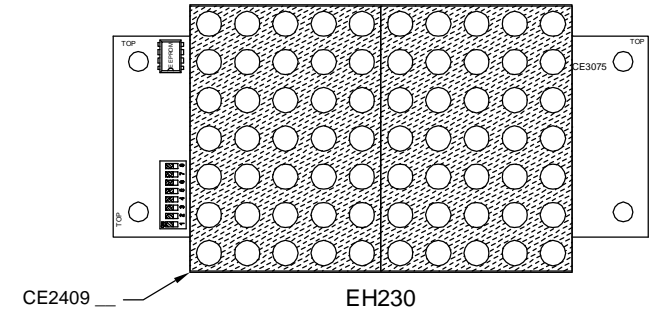
DEFAULT SETTINGS



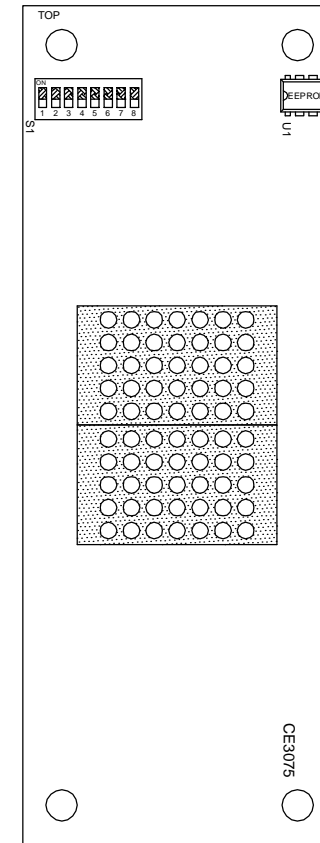
EH220



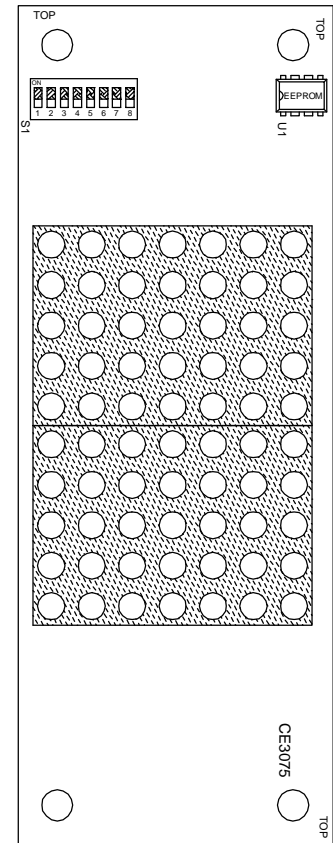
EH210



EH230



EV115



EV130

CODE VERSION _____

BOARD VERSION CE3075 _____

DATE DRAWN: 08/03/05	DRAWN BY: DAC	REQUESTED BY: DV	 C.E. ELECTRONICS, INC. 2107 Industrial Drive Bryan, Ohio 43506 (419) 636-8705
BOARD NUMBER: 3075	LAST DATE REVISED: 10/29/10	APPROVED BY:	
PRODUCT EURO DOT MATRIX TWO-CUBE DISPLAYS			
DWG. NO. EURODM 03			REV. A