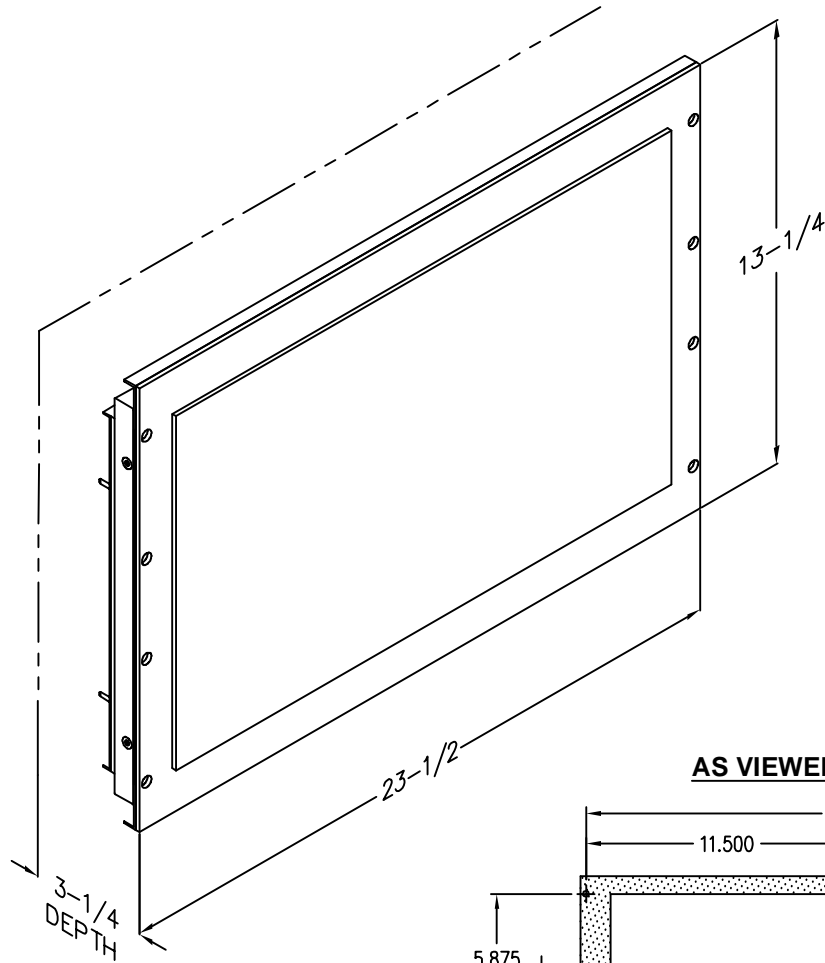




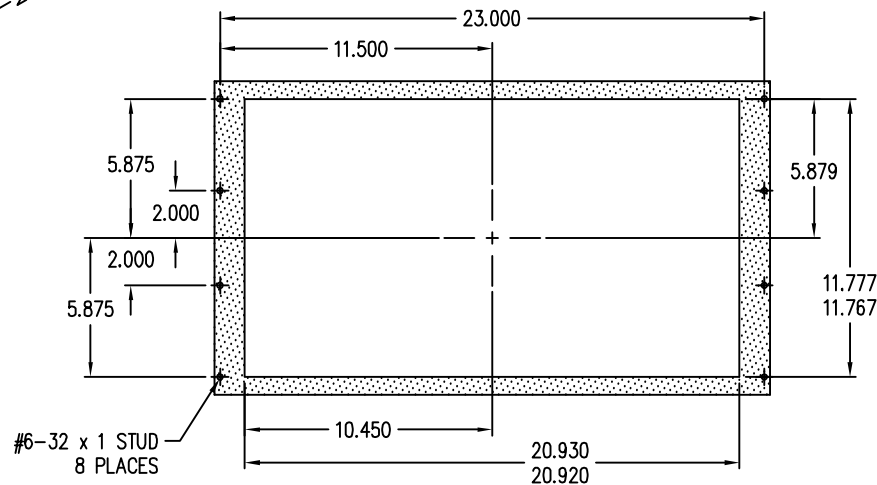
ED24W-AA2X

Ver. 1 Rel. 1/9/2023

ELITE PI[®]



AS VIEWED FROM FRONT



24 INCH "WIDE" Elite PI

The MICRO COMM Elite PI is the most flexible position indicator available. With the Elite PI Designer software, you can customize your own position indicator by selecting background colors and textures, fonts, and arrow styles. This system is so flexible you can even determine where the display elements appear on the screen. In addition to design flexibility, the MICRO COMM Elite PI can display floor, priority, and time-based messages.

Typical Applications

- Car operating panel
- Car transom
- Lobby

Features:

- Streaming View
- Self testing
- Elite PI Designer software
- Elite PI Transfer software
- MICRO COMM serial link input

Display Aspect Ratio: 16 x 9

TO ORDER: - ED24W-AA2X

<BLANK> = LANDSCAPE
 "P" = PORTRAIT

RELATED DRAWINGS	
DESCRIPTION	DRAWING NAME
PANEL PREP.	PP24W-AA2
DETAIL DIM.	DD24W-AA2