

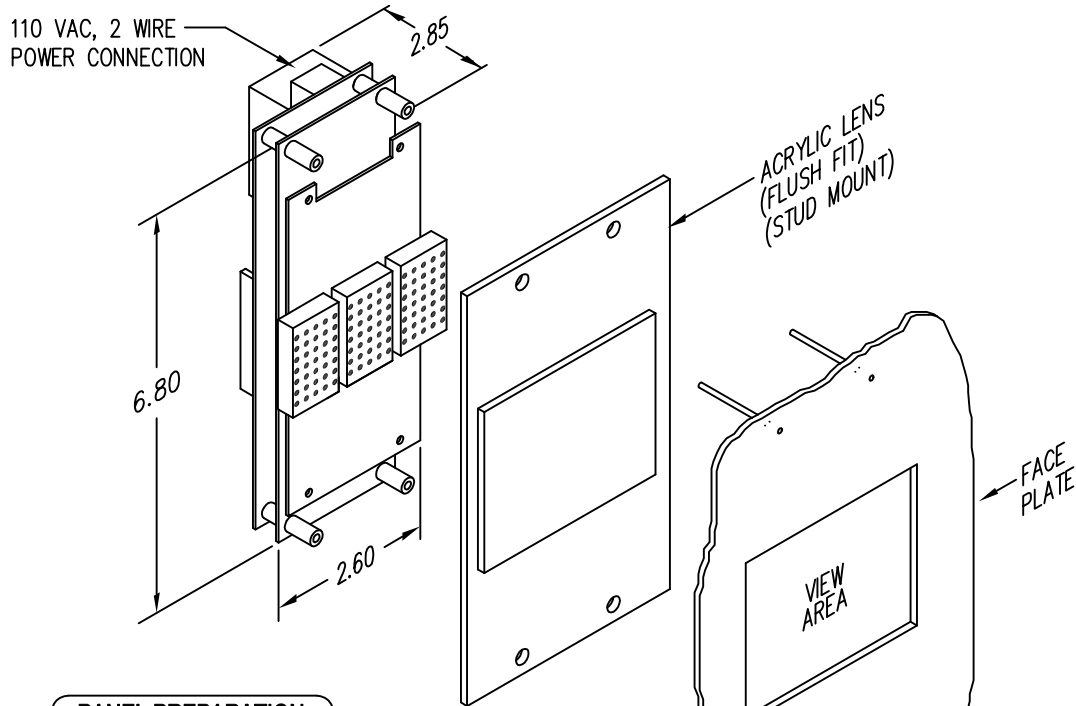


C.E. Electronics, Inc.  
2107 Industrial Drive  
Bryan, OH 43506  
PH (419) 636-6705 FX (419) 636-2516  
www.ceelectronics.com

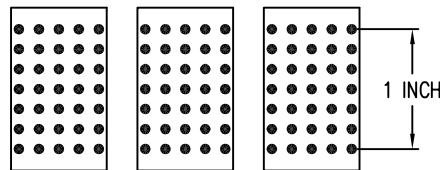
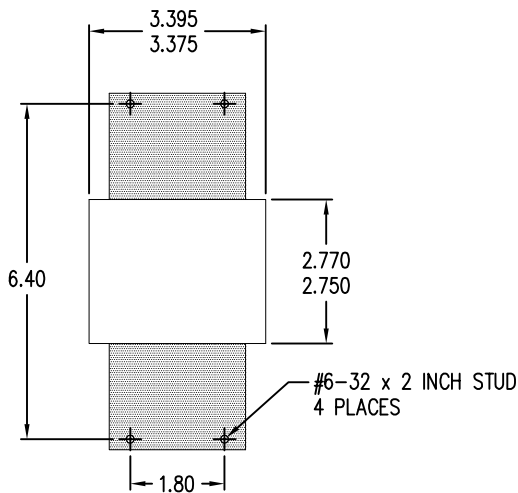
# DV310-XXXXX

Ver. 8 Rel. 8/7/2015

COMPETITOR  
DOT MATRIX



## PANEL PREPARATION



1 INCH CHARACTERS

## DOT MATRIX LED DIGITAL INDICATOR

Dot matrix LED digital indicator for floor position display, as well as car direction, if desired. Any alphanumeric or custom character can be displayed in either single digit with separate "UP" and "DOWN" arrows. Double digit with single "UP/DOWN" arrow, or triple digit floor designations, with no arrows.

### Typical Applications

- Hall stations
- Jamb mount

### Features

- Low cost design
- Self contained unit
- Latched input
- Self testing
- Scrolling
- Passing chime output
- Error detection and correction feature
- UL listed

### RENEWAL PARTS

RED Lens: # 104-3014  
GRAY Lens # 104-6108  
BLUE Lens # 104-9108

## TO ORDER: SPECIFY DV310 - X X X X X

### COLOR:

"0" = MIXED  
"R" = RED  
"A" = AMBER  
"G" = GREEN  
"W" = WHITE  
"B" = BLUE

### NUMBER OF INPUTS:

"0" = 16 INPUT OR LESS  
"1" = 31 INPUT  
"M" = MICRO COMM

110VAC NOT REQUIRED  
FOR POWER SUPPLY  
ON MICRO COMM UNITS

### LENS:

"R" = RED  
"G" = GRAY  
"B" = BLUE  
"X" = NO LENS

### SIGNAL FORMAT:

"1" = SINGLE LINE/FLOOR  
"2" = BINARY  
"3" = UNITS & TENS  
"4" = GRAY CODE  
"5" = INVERTED BINARY  
"6" = SPECIAL  
"X" = IF MICRO COMM

### SIGNAL VOLTAGE:

"A" = POSITIVE 6-20VDC, 6-24VAC  
"B" = POSITIVE 24-48VDC, 24-48VAC  
"C" = 120VAC  
"D" = POSITIVE 125VDC  
"E" = NEGATIVE 6-20VDC  
"F" = NEGATIVE 24-48VDC  
"G" = NEGATIVE 125VDC  
"X" = IF MICRO COMM

PLEASE CONSULT FACTORY  
FOR SPECIAL VOLTAGE