



DV1 20-X0XXX

DOT MATRIX LED DIGITAL INDICATOR



DOT MATRIX

2" CHARACTER

Dot Matrix LED digital indicator for floor position display. Any alphanumeric or custom character can be displayed.

TYPICAL APPLICATIONS:

- > Hall stations
- > Jamb mount

FEATURES:

- > Low cost design
- > Self contained unit
- > Latched input
- > Self testing
- > 13 inputs
- > Passing chime output
- > Error detection and correction feature
- > UL listed



C.E. Electronics, Inc.
C.E. Electronics, Ltd.
International Lift Equipment (ILE)

2107 Industrial Drive Bryan, OH 43506
Marlow, Bucks, UK
Highams Park, London, UK

ph: 419.636.6705

ph: +44 (0) 1628 487633
ph: 0208 527 9669

www.cееlectronics.com

www.cееlectronics.co.uk
www.ileweb.com



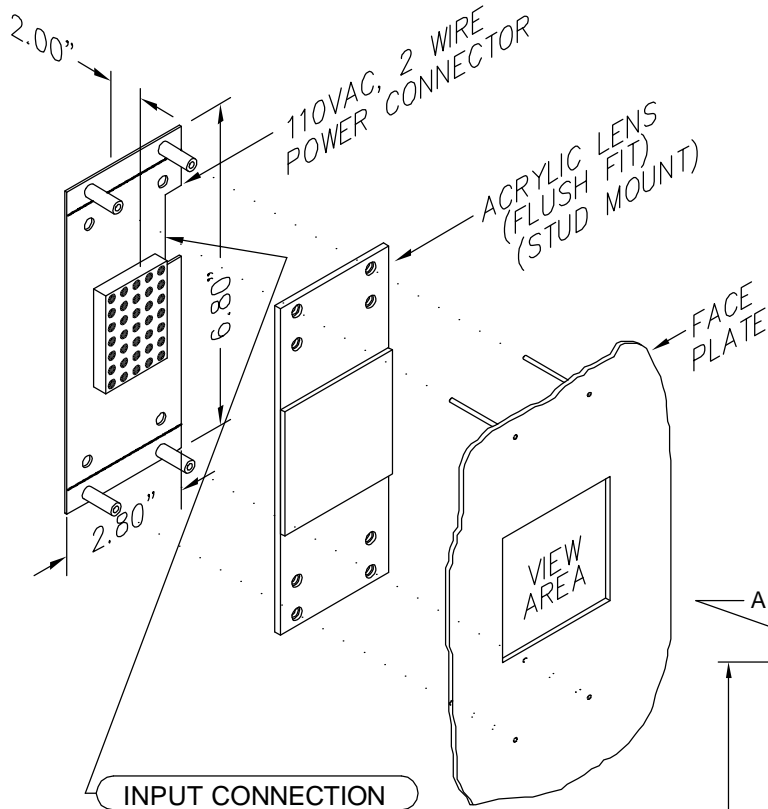


C.E. Electronics, Inc.
 2107 Industrial Drive
 Bryan, OH 43506
 PH (419) 636-6705 FX (419) 636-2516
 www.ceelectronics.com

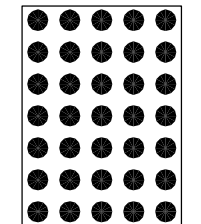
DV120-X0XXX

Ver. 5 Rel. 08/17/2011

COMPETITOR
 DOT MATRIX



8' CABLE SUPPLIED WITH PLUG-IN CONNECTOR SUPPLIED



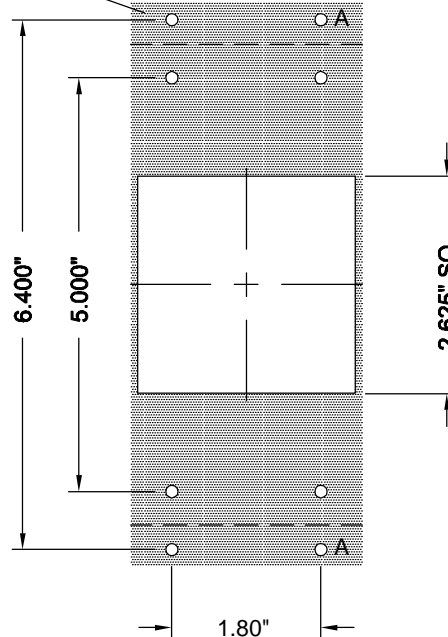
2" CHARACTER

RENEWAL PARTS

- Lens: 104-3011 RED
- Lens: 104-6019 GRAY
- Lens: 104-9019 BLUE

PANEL PREPARATION

A = #6-32 x 1 1/2" STUD MIN (TYP. 4 PLACES)



CUTOUT TOLERANCE: +.020
 - 0.0

DOT MATRIX LED DIGITAL INDICATOR

Dot matrix LED digital indicator for floor position display. Any alphanumeric or custom character can be displayed.

Typical Applications

- Hall stations
- Jamb mount

Features

- Low cost design
- Self contained unit
- Latched input
- Self testing
- 13 inputs
- Passing chime output
- Error detection and correction feature
- UL listed

TO ORDER:-SPECIFY DV120 - X 0 X X X

COLOR:

- "R" = RED
- "A" = AMBER
- "G" = GREEN
- "B" = BLUE
- "W" = WHITE

LENS:

- "R" = RED
- "G" = GRAY
- "B" = BLUE
- "X" = NO LENS

NUMBER OF INPUTS:

"0" = 13 INPUT OR LESS

SIGNAL VOLTAGE:

- "A" = POSITIVE 6-20VDC, 6-24VAC
- "B" = POSITIVE 24-48VDC, 24-48VAC
- "C" = 120VAC
- "D" = POSITIVE 125VDC
- "E" = NEGATIVE 6-20VDC
- "F" = NEGATIVE 24-48VDC
- "G" = NEGATIVE 125VDC

SIGNAL FORMAT:

- "1" = SINGLE LINE/FLOOR
- "2" = BINARY
- "3" = UNITS & TENS
- "4" = GRAY CODE
- "5" = INVERTED BINARY
- "6" = SPECIAL

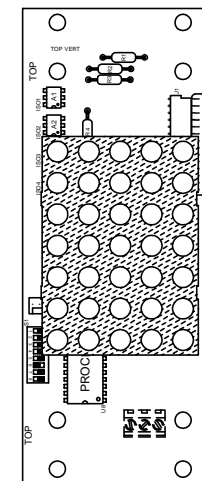
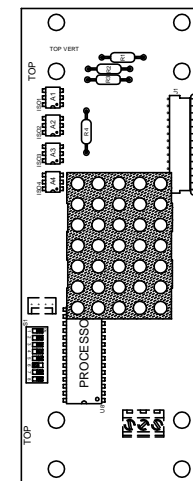
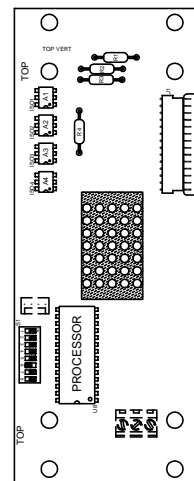
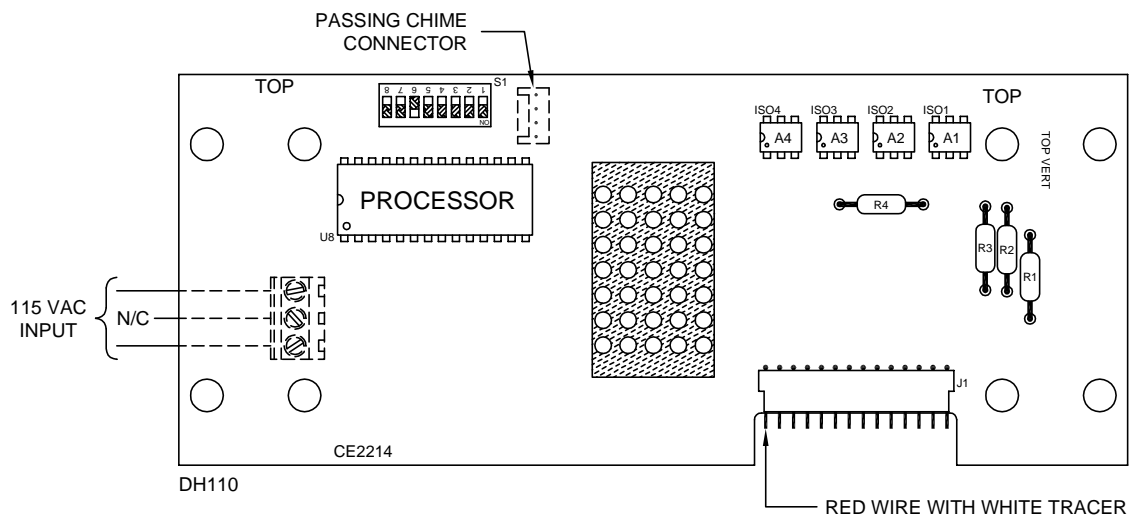
NOTE:

- If a special voltage is required, please consult factory.

SINGLE-DIGIT DOT MATRIX DISPLAY

DH110, DV110, DH120, DV120, DH130, DV130

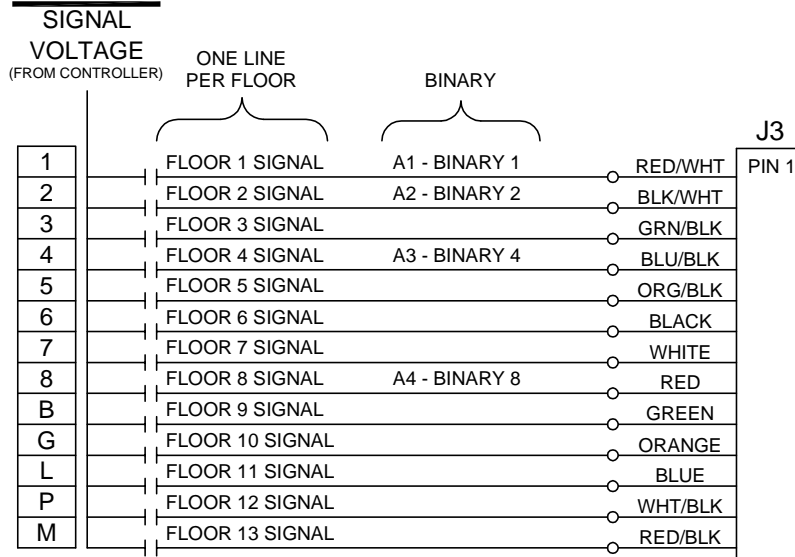
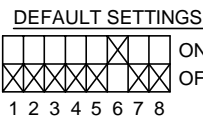
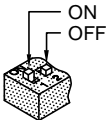
JOB# _____



NOTE: PASSING CHIME CONNECTOR AND POWER CONNECTION ARE ON THE BACK OF THE BOARD.

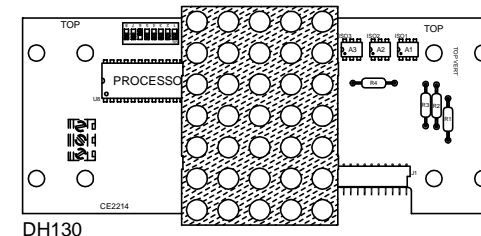
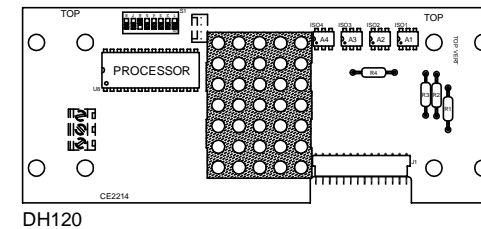


SELF-TEST
ZERO SCAN SLOT
NOT USED
REDUNDANCY
BINARY / GRAY CODE



STD CUSTOM

FLOOR MARKINGS



CODE VERSION _____

BOARD VERSION CE2214 _____

NOTE: IF FORMAT IS BINARY OR GRAY CODE, SEE CHART ON BACK!

DATE DRAWN: 08/29/05	DRAWN BY: DAC	REQUESTED BY: DAC	 C.E. ELECTRONICS, INC. 2107 Industrial Drive Bryan, Ohio 43006 (419) 636-6705
BOARD NUMBER: 2214	LAST DATE REVISED: 04/18/11	APPROVED BY:	
PRODUCT: SINGLE-DIGIT DM DISPLAY			
DWG. NO. DM-SINGLE_01			REV: B

BINARY FLOOR CHART

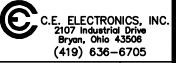
Standard Floor Markings	Custom Floor Markings
<p>BINARY BITS</p> <p>A4 - BIN 1 A3 - BIN 1 A2 - BIN 1 A1 - BIN 1</p>	<p>BINARY BITS</p> <p>A4 - BIN 1 A3 - BIN 1 A2 - BIN 1 A1 - BIN 1</p>
1 1 0 1 <u> </u> M	1 1 0 1 <u> </u>
1 1 0 0 <u> </u> P	1 1 0 0 <u> </u>
1 0 1 1 <u> </u> L	1 0 1 1 <u> </u>
1 0 1 0 <u> </u> G	1 0 1 0 <u> </u>
1 0 0 1 <u> </u> B	1 0 0 1 <u> </u>
1 0 0 0 <u> </u> 8	1 0 0 0 <u> </u>
0 1 1 1 <u> </u> 7	0 1 1 1 <u> </u>
0 1 1 0 <u> </u> 6	0 1 1 0 <u> </u>
0 1 0 1 <u> </u> 5	0 1 0 1 <u> </u>
0 1 0 0 <u> </u> 4	0 1 0 0 <u> </u>
0 0 1 1 <u> </u> 3	0 0 1 1 <u> </u>
0 0 1 0 <u> </u> 2	0 0 1 0 <u> </u>
0 0 0 1 <u> </u> 1	0 0 0 1 <u> </u>

GRAY CODE FLOOR CHART

Standard Floor Markings	Custom Floor Markings
<p>GRAY CODE BITS</p> <p>A4 - BIN 1 A3 - BIN 1 A2 - BIN 1 A1 - BIN 1</p>	<p>GRAY CODE BITS</p> <p>A4 - BIN 1 A3 - BIN 1 A2 - BIN 1 A1 - BIN 1</p>
1 0 1 1 <u> </u> M	1 0 1 1 <u> </u>
1 0 1 0 <u> </u> P	1 0 1 0 <u> </u>
1 1 1 0 <u> </u> L	1 1 1 0 <u> </u>
1 1 1 1 <u> </u> G	1 1 1 1 <u> </u>
1 1 0 1 <u> </u> B	1 1 0 1 <u> </u>
1 1 0 0 <u> </u> 8	1 1 0 0 <u> </u>
0 1 0 0 <u> </u> 7	0 1 0 0 <u> </u>
0 1 0 1 <u> </u> 6	0 1 0 1 <u> </u>
0 1 1 1 <u> </u> 5	0 1 1 1 <u> </u>
0 1 1 0 <u> </u> 4	0 1 1 0 <u> </u>
0 0 1 0 <u> </u> 3	0 0 1 0 <u> </u>
0 0 1 1 <u> </u> 2	0 0 1 1 <u> </u>
0 0 0 1 <u> </u> 1	0 0 0 1 <u> </u>

INSTALLATION GUIDE

1. Make sure the input resistors are pushed all the way into the sockets.
2. Connect 115VAC power to the outer terminals of J2. Nothing connects to the center terminal.
3. To use the optional passing chime, connect it to J3.
4. Turn on DIP switch 1 (self-test). The display cycles through the floor markings. Verify the floor markings are correct and adjust the volume of the optional passing chime.
5. Connect the signal cable to J1 on the display. Be sure to install the cable properly (red wire with white tracer positioned as shown on the other side of this page).
6. Use the diagram on the other side of this page to connect the signal cable to the controller. The voltage (and DC polarity, if needed) are marked on the diagram. This unit works like a light bulb; it has to have voltage between common and the selected input.
7. If the input voltage is DC and you suspect the controller uses the opposite polarity, remove the common from the display and then put the selected floor wire to common and common to the selected floor input. If the selected floor displays, contact Tech Support at the number below.
8. For single line per floor set-ups, only one wire at a time can have voltage present (with reference to common).
9. If the display does not work properly after following the steps above, write down the serial number from the white label and exactly what the unit displays at each floor. Call Tech Support at (419) 636-6705.

DATE DRAWN: 05/05/97	DRAWN BY: K.L.S.	REQUESTED BY: J.P.	 C.E. ELECTRONICS, INC. 2107 Industrial Drive Bryan, Ohio 43506 (419) 636-6705
BOARD NUMBER: N/A	LAST DATE REVISED: 04/18/11	APPROVED BY:	
PRODUCT SINGLE DM FLOOR MARKINGS			
DWG. NO. COMPT-4			REV. C

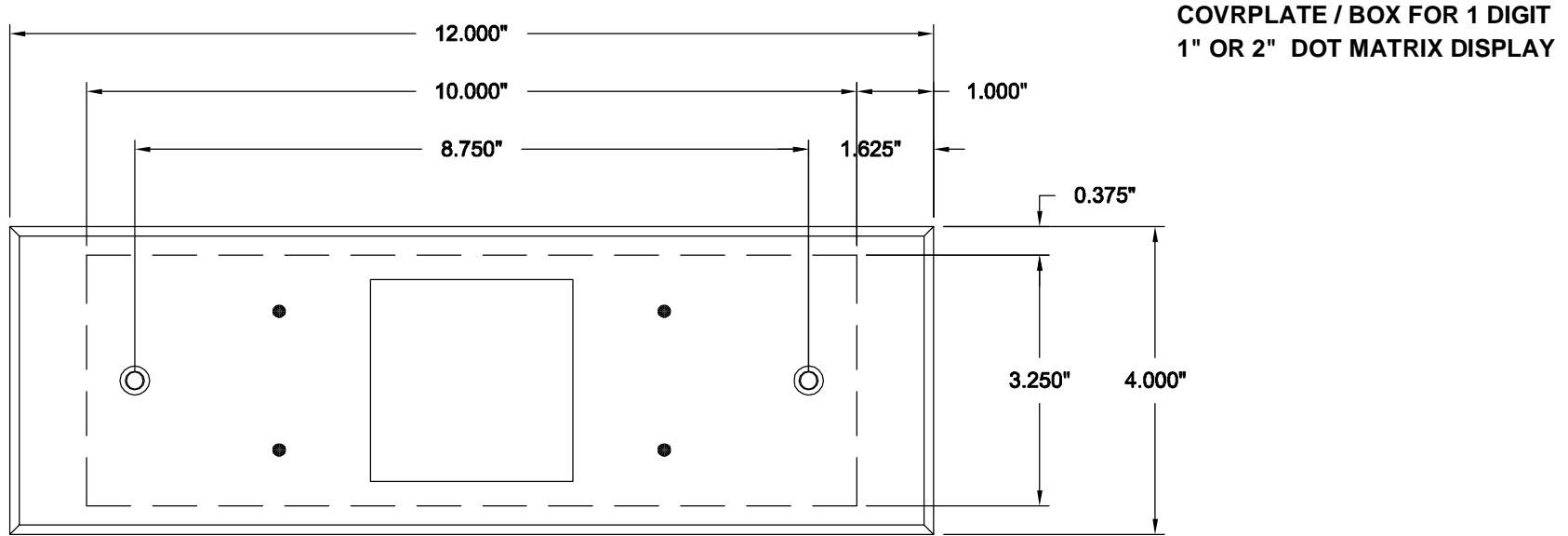


C.E. Electronics, Inc.
 2107 Industrial Drive
 Bryan, OH 43506
 PH (419) 636-6705 FX (419) 636-2516
 www.cееlectronics.com

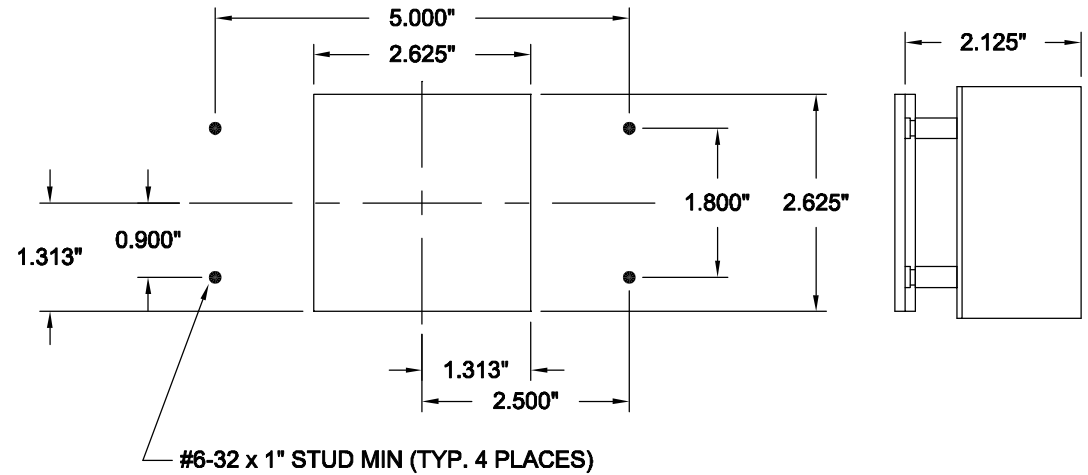
70100011

Ver. 1 Rel. 06/18/03

METAL



**COVRPLATE / BOX FOR 1 DIGIT
 1" OR 2" DOT MATRIX DISPLAY**



NOTES:

- #4 STAINLESS STEEL, .125"
- HORIZONTAL GRAIN
- BEVELED EDGES - APPROXIMATELY 15°
- BOX REQUIRED, 3.5" DEEP, NO EXTRUDED BOX
- COUNTERSINK MOUNTING HOLES FOR #10-32 TAMPERPROOF SCREW