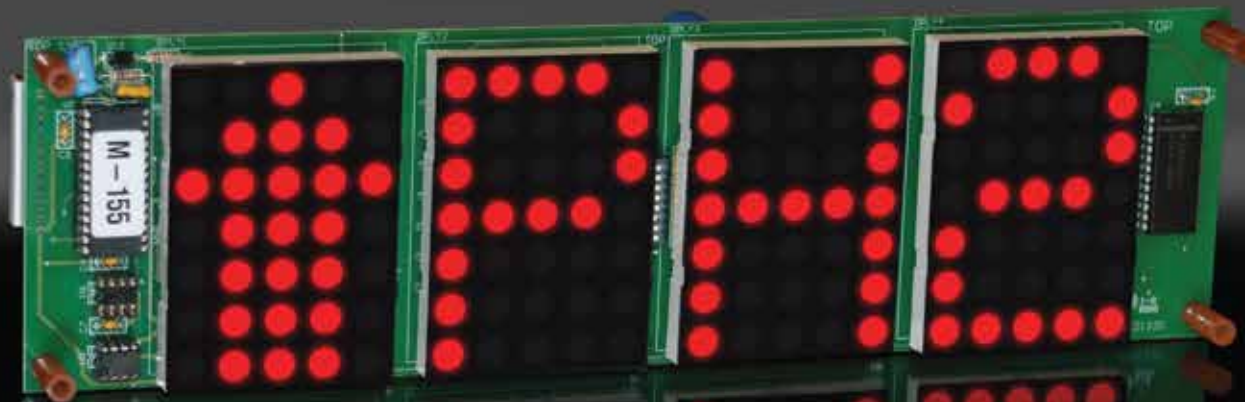




DH430-RXXXX

DOT MATRIX LED DIGITAL INDICATOR



DOT MATRIX

3" CHARACTERS

Dot Matrix LED digital indicator for floor position display, as well as car direction, if desired. Any alphanumeric or custom character can be displayed in either double digit with single "UP/DOWN" arrows or four digit floor designations.

TYPICAL APPLICATIONS:

- > Car-OP Panel
- > Transom-car or Hall

FEATURES:

- > Low cost design
- > Self contained unit
- > Latched input
- > Self testing
- > Scrolling
- > Passing chime output
- > Error detection and correction feature
- > UL listed



C.E. Electronics, Inc.

C.E. Electronics, Ltd.

International Lift Equipment (ILE)

2107 Industrial Drive Bryan, OH 43506

Marlow, Bucks, UK

Highams Park, London, UK

ph: 419.636.6705

ph: +44 (0) 1628 487633

ph: 0208 527 9669

www.cееlectronics.com

www.cееlectronics.co.uk

www.ileweb.com



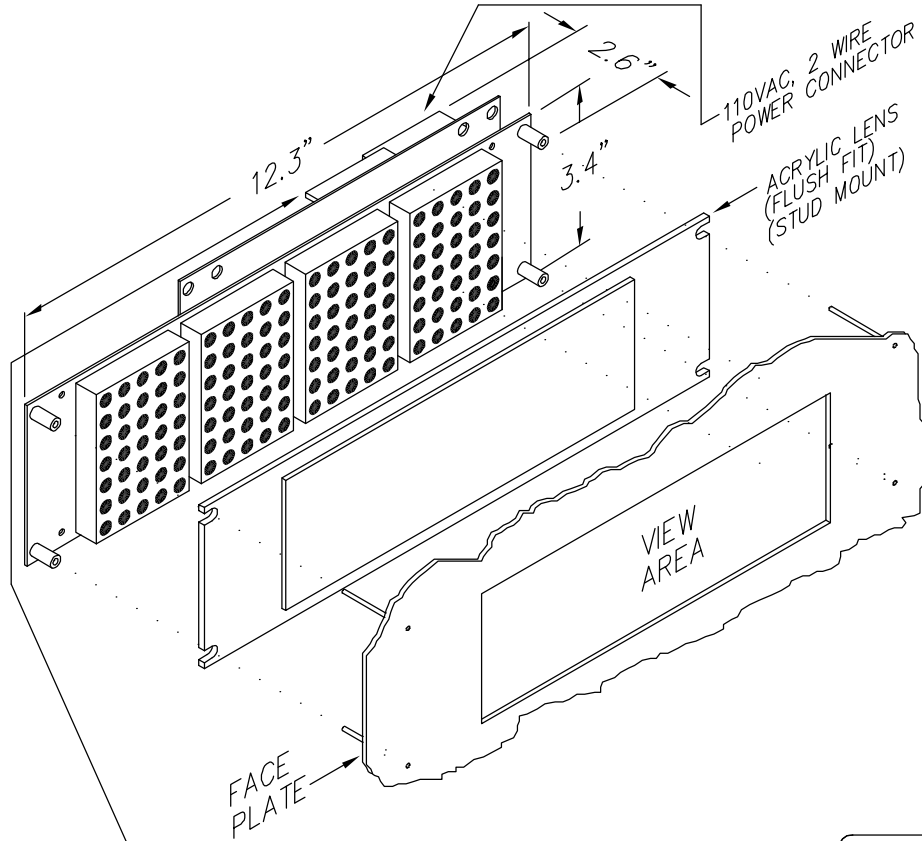


C.E. Electronics, Inc.
 2107 Industrial Drive
 Bryan, OH 43506
 PH (419) 636-6705 FX (419) 636-2516
 www.ceelectronics.com

DH430-RXXXX

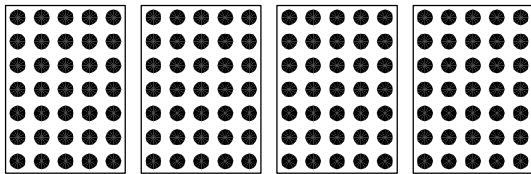
Ver. 4 Rel. 11/06/08

COMPETITOR
 DOT MATRIX



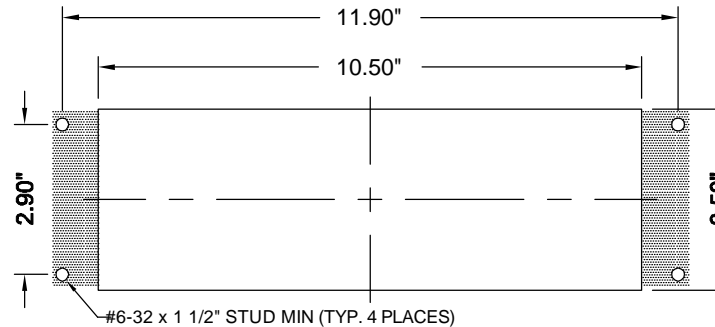
INPUT CONNECTION

8' CABLE SUPPLIED WITH PLUG-IN CONNECTOR SUPPLIED



3" CHARACTERS

PANEL PREPARATION



CUTOUT TOLERANCE: +.020
 - 0.0

RENEWAL PARTS

Lens: 104-5612 RED

DOT MATRIX LED DIGITAL INDICATOR

Dot matrix LED digital indicator for floor position display, as well as car direction, if desired. Any alphanumeric or custom character can be displayed in either double digit with single "UP/DOWN" arrows or four digit floor designations.

Typical Applications

- Car-OP Panel
- Transom-car or Hall

Features

- Low cost design
- Self contained unit
- Latched input
- Self testing
- Scrolling
- Passing chime output
- Error detection and correction feature
- UL listed

TO ORDER:-SPECIFY DH430 -R X X X X

COLOR:
 "R" = RED

LENS:
 "R" = RED
 "X" = NO LENS

NUMBER OF INPUTS:
 "0" = 16 INPUT OR LESS
 "1" = 31 INPUT
 "M" = MICRO COMM *

SIGNAL FORMAT:
 "1" = SINGLE LINE/FLOOR
 "2" = BINARY
 "3" = UNITS & TENS
 "4" = GRAY CODE
 "5" = INVERTED BINARY
 "6" = SPECIAL
 "X" = IF MICRO COMM

SIGNAL VOLTAGE:
 "A" = POSITIVE 6-20VDC, 6-24VAC
 "B" = POSITIVE 24-48VDC, 24-48VAC
 "C" = 120VAC
 "D" = POSITIVE 125VDC
 "E" = NEGATIVE 6-20VDC
 "F" = NEGATIVE 24-48VDC
 "G" = NEGATIVE 125VDC
 "X" = IF MICRO COMM

NOTE:

1. If a special voltage is required, please consult factory.
2. * 110VAC not required for power supply on Micro Comm units