

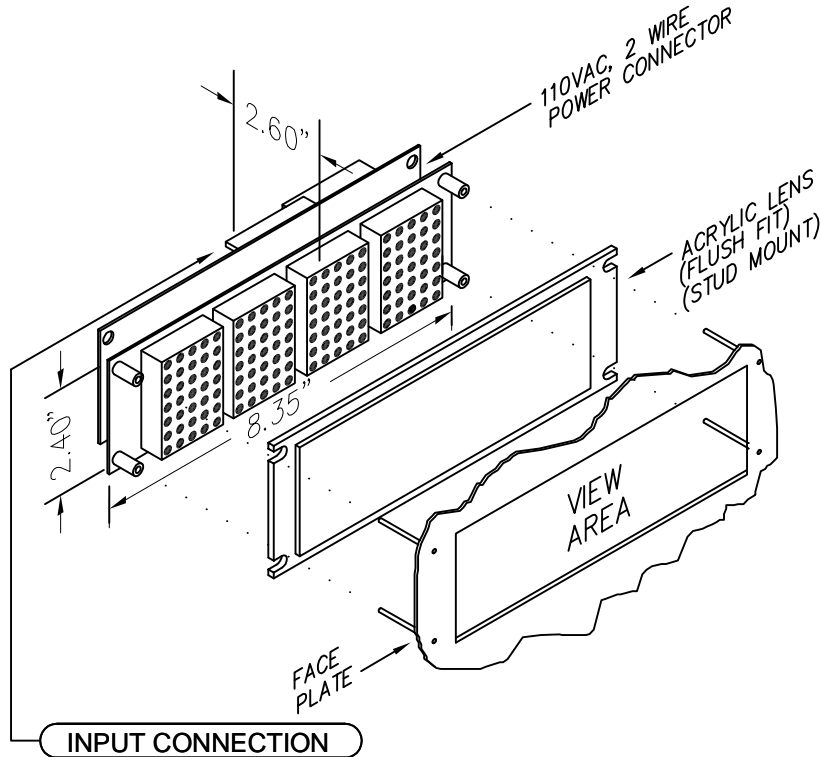


C.E. Electronics, Inc.  
 2107 Industrial Drive  
 Bryan, OH 43506  
 PH (419) 636-6705 FX (419) 636-2516  
 www.ceelectronics.com

# DH420-XXXXX

Ver. 6 Rel. 10/7/2013

COMPETITOR  
 DOT MATRIX



### RENEWAL PARTS

- Lens: 104-5611 RED
- Lens: 104-6033 GRAY
- Lens: 104-9033 BLUE

### DOT MATRIX LED DIGITAL INDICATOR

Dot matrix LED digital indicator for floor position display, as well as car direction, if desired. Any alphanumeric or custom character can be displayed in either double digit with single "UP/DOWN" arrows or four digit floor designations.

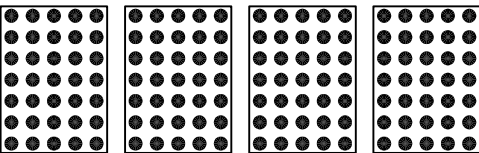
### Typical Applications

- Car-OP Panel
- Transom-car or Hall

### Features

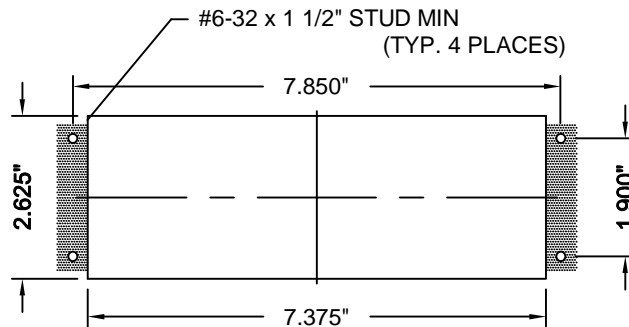
- Low cost design
- Self contained unit
- Latched input
- Self testing
- Scrolling
- Passing chime output
- Error detection and correction feature
- UL listed

8' CABLE SUPPLIED WITH PLUG-IN CONNECTOR SUPPLIED



2" CHARACTERS

### PANEL PREPARATION



CUTOUT TOLERANCE: +.020  
 - 0.0

### TO ORDER:-SPECIFY DH420 - X X X X X

COLOR:  
 "0" = MIXED  
 "R" = RED  
 "A" = AMBER  
 "G" = GREEN  
 "W" = WHITE  
 "B" = BLUE

LENS:  
 "R" = RED  
 "G" = GRAY  
 "B" = BLUE  
 "X" = NO LENS

NUMBER OF INPUTS:  
 "0" = 16 INPUT OR LESS  
 "1" = 31 INPUT  
 "M" = MICRO COMM\*

SIGNAL FORMAT:  
 "1" = SINGLE LINE/FLOOR  
 "2" = BINARY  
 "3" = UNITS & TENS  
 "4" = GRAY CODE  
 "5" = INVERTED BINARY  
 "6" = SPECIAL  
 "X" = IF MICRO COMM

SIGNAL VOLTAGE:  
 "A" = POSITIVE 6-20VDC, 6-24VAC  
 "B" = POSITIVE 24-48VDC, 24-48VAC  
 "C" = 120VAC  
 "D" = POSITIVE 125VDC  
 "E" = NEGATIVE 6-20VDC  
 "F" = NEGATIVE 24-48VDC  
 "G" = NEGATIVE 125VDC  
 "X" = IF MICRO COMM

### NOTE:

1. If a special voltage is required, please consult factory.
2. \* 110VAC not required for power supply on Micro Comm units