

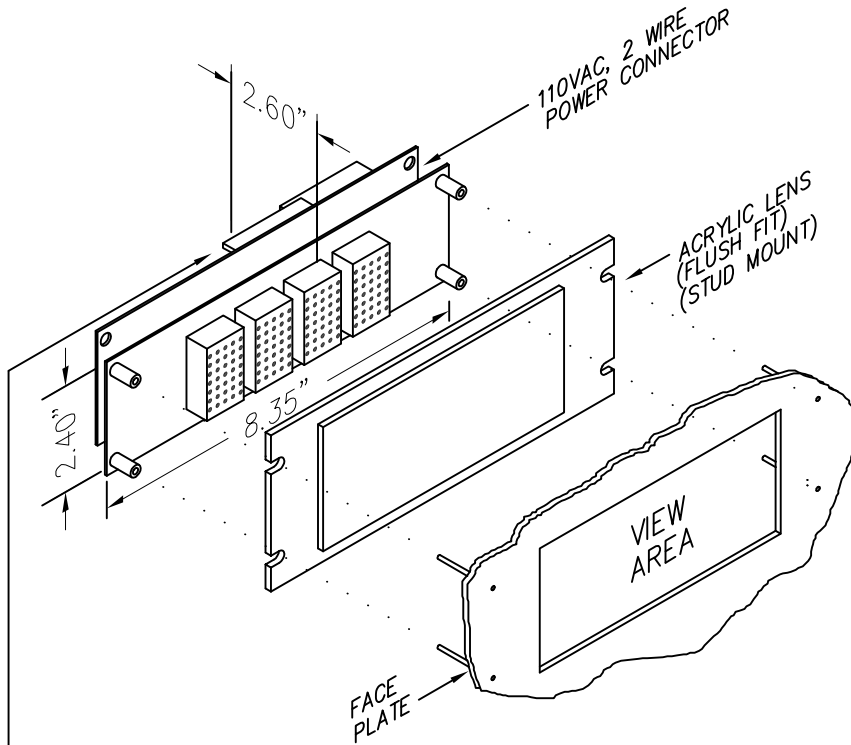


C.E. Electronics, Inc.
 2107 Industrial Drive
 Bryan, OH 43506
 PH (419) 636-6705 FX (419) 636-2516
 www.ceelectronics.com

DH410-XXXXX

Ver. 6 Rel. 10/7/2013

COMPETITOR
 DOT MATRIX



RENEWAL PARTS

- Lens: 104-5620 RED
- Lens: 104-6093 GRAY

DOT MATRIX LED DIGITAL INDICATOR

Dot matrix LED digital indicator for floor position display, as well as car direction, if desired. Any alphanumeric or custom character can be displayed in either double digit with single "UP/DOWN" arrows or four digit floor designations.

Typical Applications

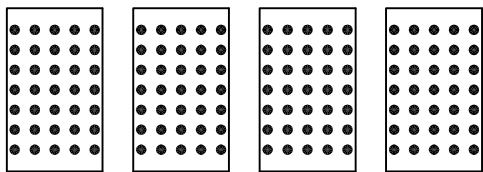
- Car-OP Panel
- Transom-car or Hall

Features

- Low cost design
- Self contained unit
- Latched input
- Self testing
- Scrolling
- Passing chime output
- Error detection and correction feature
- UL listed

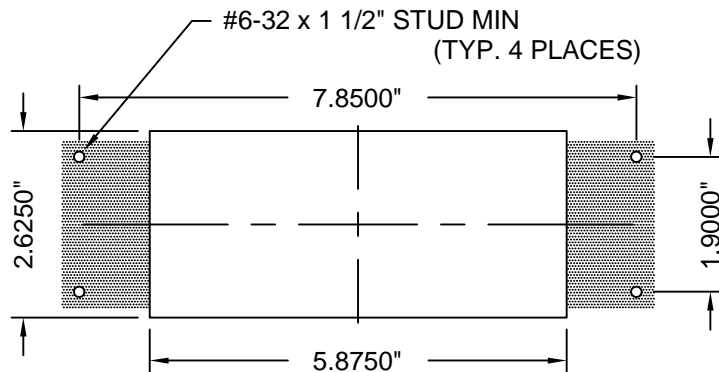
INPUT CONNECTION

8' CABLE SUPPLIED WITH PLUG-IN CONNECTOR SUPPLIED



1" CHARACTERS

PANEL PREPARATION



TO ORDER:-SPECIFY DH410 - X X X X X

COLOR:

- "0" = MIXED
- "R" = RED
- "A" = AMBER
- "G" = GREEN
- "W" = WHITE
- "B" = BLUE

NUMBER OF INPUTS:

- "0" = 16 INPUT OR LESS
- "1" = 31 INPUT
- "M" = MICRO COMM*

LENS:

- "R" = RED
- "G" = GRAY
- "X" = NO LENS

SIGNAL FORMAT:

- "1" = SINGLE LINE/FLOOR
- "2" = BINARY
- "3" = UNITS & TENS
- "4" = GRAY CODE
- "5" = INVERTED BINARY
- "6" = SPECIAL
- "X" = IF MICRO COMM

SIGNAL VOLTAGE:

- "A" = POSITIVE 6-20VDC, 6-24VAC
- "B" = POSITIVE 24-48VDC, 24-48VAC
- "C" = 120VAC
- "D" = POSITIVE 125VDC
- "E" = NEGATIVE 6-20VDC
- "F" = NEGATIVE 24-48VDC
- "G" = NEGATIVE 125VDC
- "X" = IF MICRO COMM

NOTE:

1. If a special voltage is required, please consult factory.
2. * 110VAC not required for power supply on Micro Comm units

CUTOUT TOLERANCE: +.020
 - 0.0