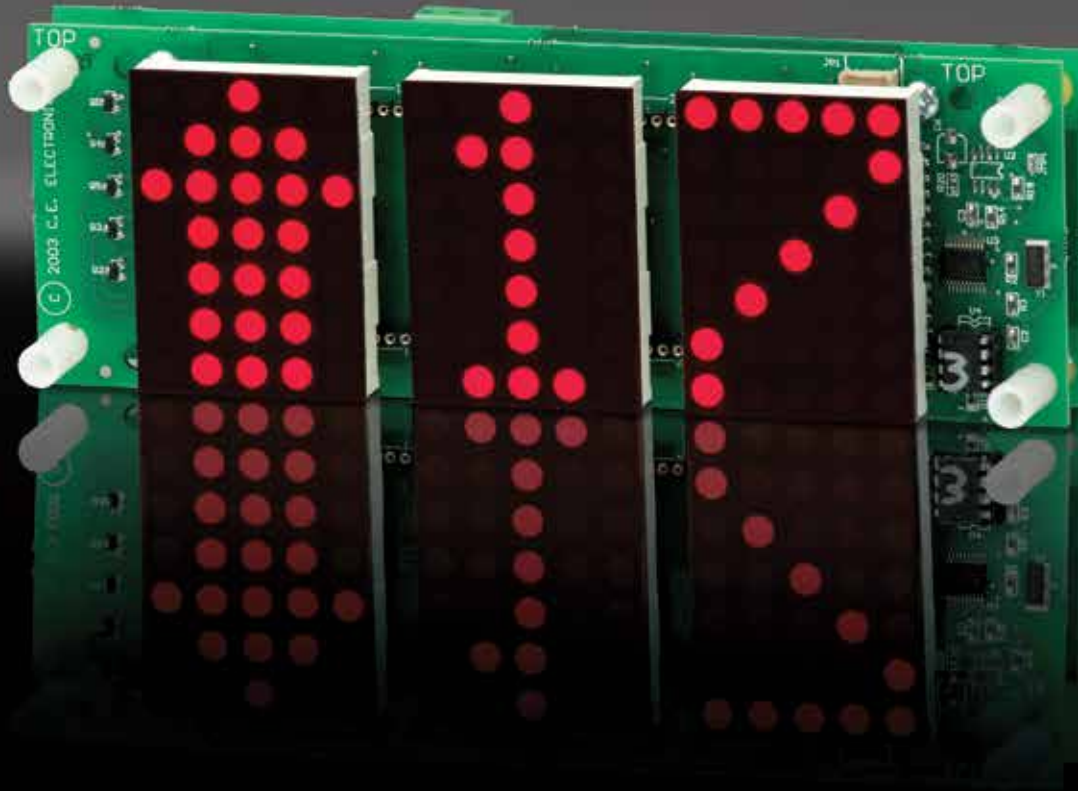


> DH320-XXXXX

DOT MATRIX LED DIGITAL INDICATOR



DOT MATRIX

2" CHARACTERS

Dot Matrix LED digital indicator for floor position display, as well as car direction, if desired. Any alphanumeric or custom character can be displayed in either single digit with separate "UP" and "DOWN" arrows. Double digit with single "UP/DOWN" arrow, or triple digit floor designations.

TYPICAL APPLICATIONS:

- > Car-OP Panel
- > Transom-car or Hall

FEATURES:

- > Low cost design
- > Self contained unit
- > Latched input
- > Self testing
- > Scrolling
- > Passing chime output
- > Error detection and correction feature
- > UL listed

METAL:

- > 70100002



C.E. Electronics, Inc. (US) 2107 Industrial Drive, Bryan, Ohio 43506 p: 419.636.6705 www.cееlectronics.com

C.E. Electronics, Ltd. (UK) P.O. Box 1679 Marlow, Bucks SL7 3ZG, UK p: +44 (0) 1628 487633 www.cееlectronics.co.uk

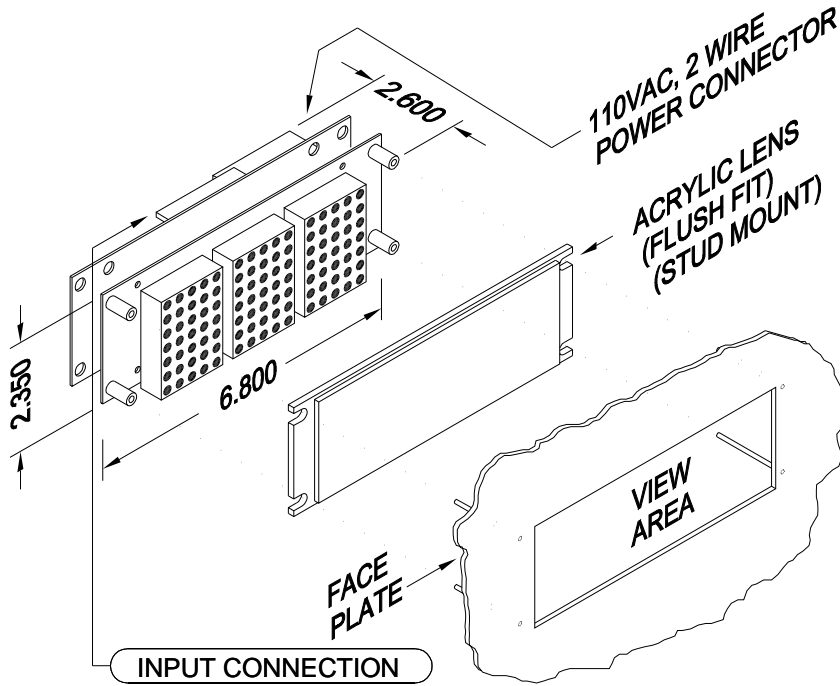


C.E. Electronics, Inc.
 2107 Industrial Drive
 Bryan, OH 43506
 PH (419) 636-6705 FX (419) 636-2516
 www.ccelectronics.com

DH320-XXXXX

Ver. 8 Rel. 11/21/2016

COMPETITOR
 DOT MATRIX



8' CABLE SUPPLIED WITH PLUG-IN
 CONNECTOR SUPPLIED

RENEWAL PARTS

- Lens: 104-5575 RED
- Lens: 104-6075 GRAY
- Lens: 104-9075 BLUE

DOT MATRIX LED DIGITAL INDICATOR

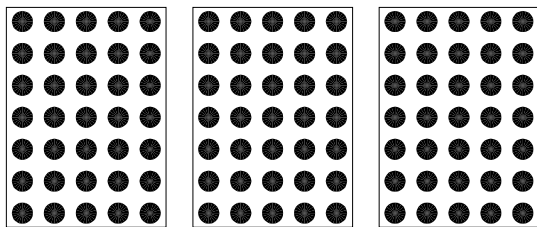
Dot matrix LED digital indicator for floor position display, as well as car direction, if desired. Any alphanumeric or custom character can be displayed in either single digit with separate "UP" and "DOWN" arrows. Double digit with single "UP/DOWN" arrow, or triple digit floor designations.

Typical Applications

- Car-OP Panel
- Transom-car or Hall

Features

- Low cost design
- Self contained unit
- Latched input
- Self testing
- Scrolling
- Passing chime output
- Error detection and correction feature
- UL listed



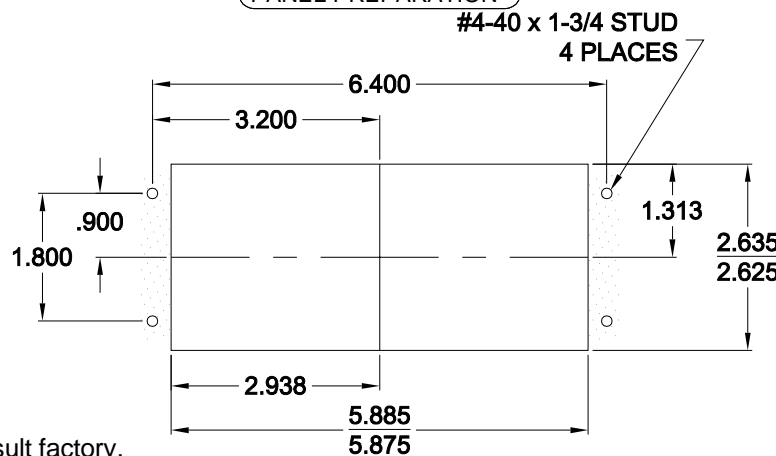
2" CHARACTERS

NOTE:

1. If a special voltage is required, please consult factory.
2. *110VAC not required for power supply on Micro Comm units and is not a stand alone unit. Must be use in conjunction with a Micro Comm interface.
3. *Blue can not be mixed with other colors

TO ORDER:-SPECIFY DH320 - X X X X X

PANEL PREPARATION



COLOR:
 "0" = MIXED
 "R" = RED
 "A" = AMBER
 "G" = GREEN
 "B" = BLUE *
 "W" = WHITE

NUMBER OF INPUTS:
 "0" = 16 INPUT OR LESS
 "1" = 31 INPUT
 "M" = MICRO COMM *

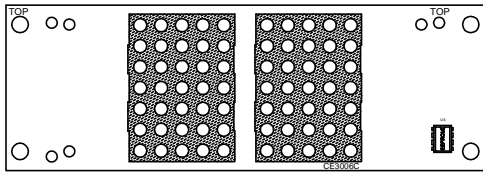
LENS:
 "R" = RED
 "G" = GRAY
 "B" = BLUE
 "X" = NO LENS

SIGNAL FORMAT:
 "1" = SINGLE LINE/FLOOR
 "2" = BINARY
 "3" = UNITS & TENS
 "4" = GRAY CODE
 "5" = INVERTED BINARY
 "6" = SPECIAL
 "X" = IF MICRO COMM

SIGNAL VOLTAGE:
 "A" = POSITIVE 6-20VDC, 6-24VAC
 "B" = POSITIVE 24-48VDC, 24-48VAC
 "C" = 120VAC
 "D" = POSITIVE 125VDC
 "E" = NEGATIVE 6-20VDC
 "F" = NEGATIVE 24-48VDC
 "G" = NEGATIVE 125VDC
 "X" = IF MICRO COMM

DH220/320-XM

JOB# _____



DISPLAY BOARD# _____

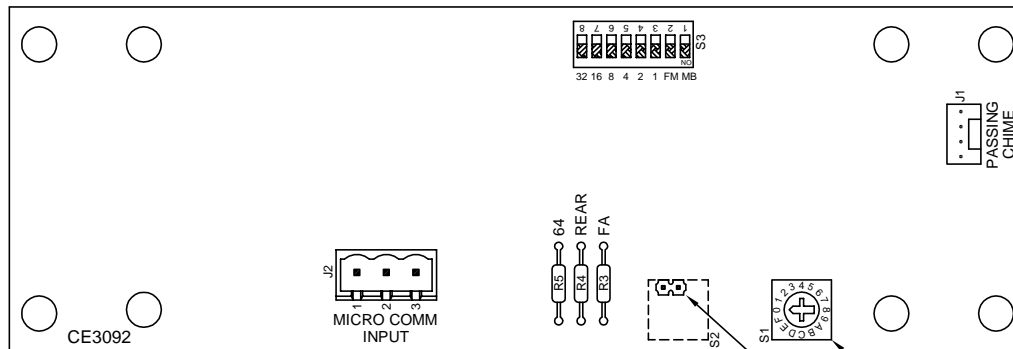
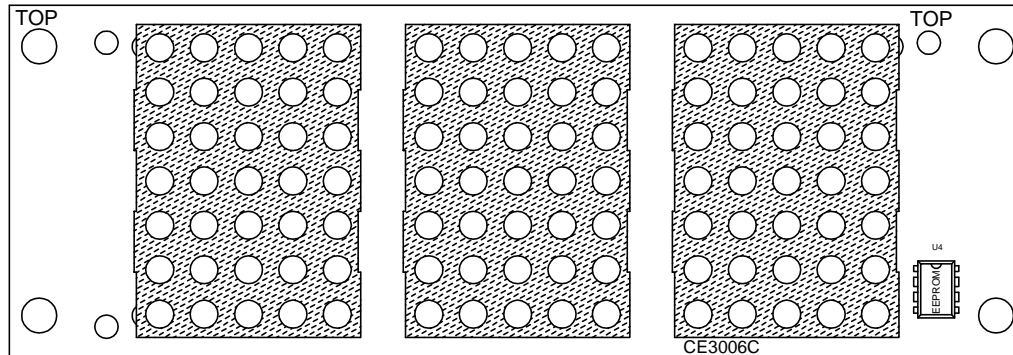
CODE VERSION _____

FLOORS: _____

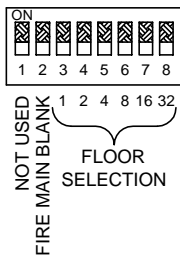
ROTARY SWITCH S1 _____

DRIVER BOARD# _____

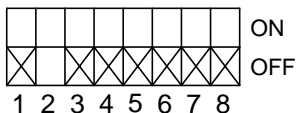
CODE VERSION _____



S3 DIP SWITCH DETAIL



S3 DEFAULT SETTINGS



To SELF-TEST display unit, short the two pins on the S2 header and release. NOTE: If S2 is a rotary switch, set it to "F" and back to 0 to self-test.

DIP switch 1 (MB) has no function with this unit.

The Micro Comm driver must be programmed to send messages with the level required to activate the features listed below.

- To blank the display during a fire main (level three) message, turn on DIP switch 2 (FM).
- To blank the display during a fire alternate (level two) message, remove resistor R3 (FA) from the board.
- Do not program a floor value for Floor 63 if the Fire Blanking feature is required.

DIP switches 3-8 off is an all call using travel signals. DIP switches 3-8 on and resistor R5 (64) removed is an all call using arrival signals.

The floor address switches setup the display arrows as arrival (hall) arrows. Refer to the "S3 DIP SWITCH DETAIL" and turn on the floor address switches whose value adds up to the desired floor. For example, to display the arrows only when the unit is at floor 19, turn on switches 3, 4, and 7 (values 1, 2, and 16: 1+2+16=19). The Micro Comm driver must be set up to send arrival information.

To operate this unit as a rear lantern, remove resistor R4 (REAR) from the board. NOTE: The Micro Comm driver must be sending the MC2000 data stream to use this feature. Call Tech Support at 419-636-6705 for more information.

NOTE: MUST BE USED WITH A CLASS 2 POWER SUPPLY.

DATE DRAWN: 07/08/05	DRAWN BY: DAC	REQUESTED BY: DV	 C.E. ELECTRONICS, INC. 2107 Industrial Drive Bryan, Ohio 43506 (419) 636-6705
BOARD NUMBER: 3092_3006	LAST DATE REVISED: 09/21/10	APPROVED BY:	
PRODUCT DH220/320-XM MICRO COMM DOT MATRIX			
DWG. NO. DHX20-XM 01			REV. A

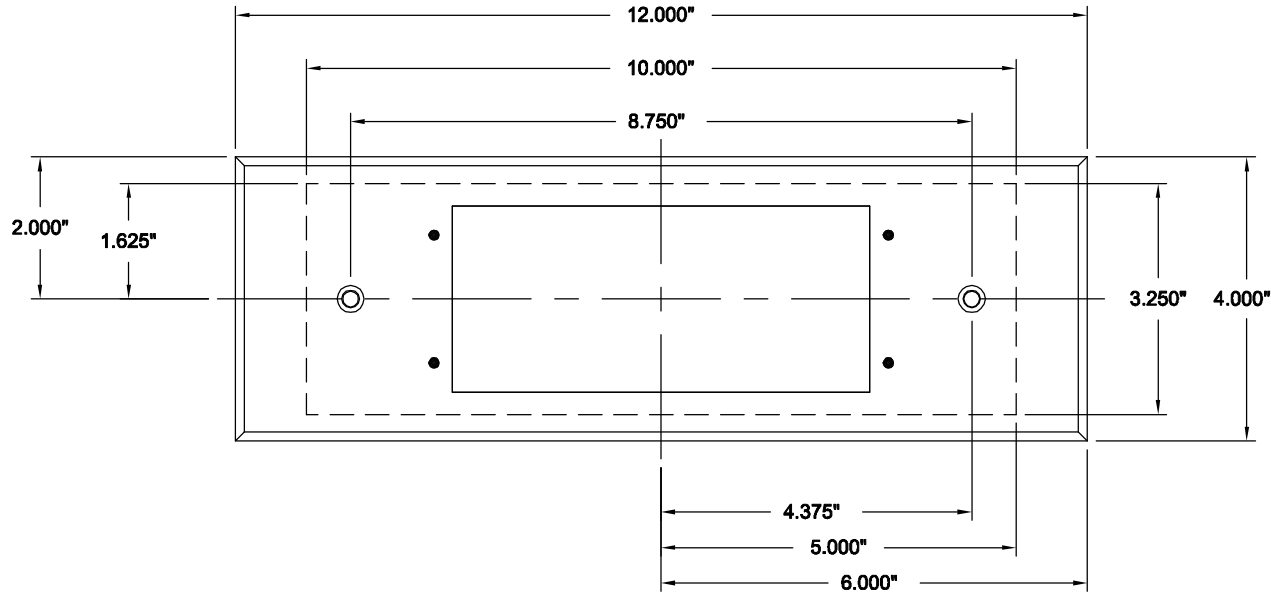


C.E. Electronics, Inc.
 2107 Industrial Drive
 Bryan, OH 43506
 PH (419) 636-6705 FX (419) 636-2516
 www.cееlectronics.com

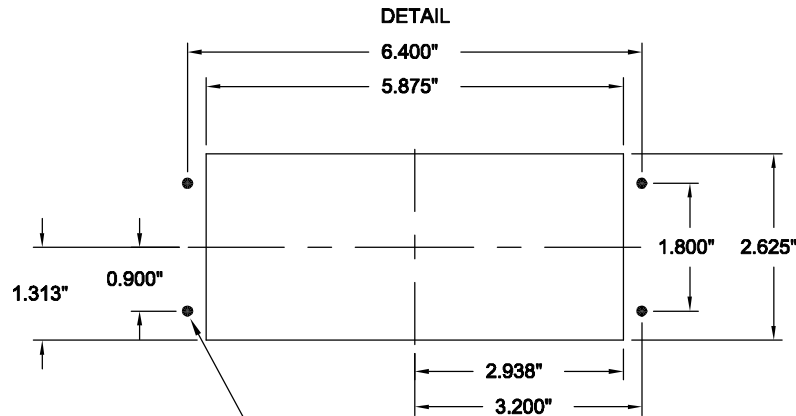
70100002

Ver. 1 Rel. 06/18/03

METAL



**COVERPLATE / BOX FOR 2 or 3 DIGIT
 1" OR 2" DOT MATRIX DISPLAY**



#6-32 x 1 3/4" STUD MIN (TYP. 4 PLACES)

NOTES:

- #4 STAINLESS STEEL, .125" HORIZONTAL GRAIN
- BEVELED EDGES - APPROXIMATELY 15°
- GALVANIZED BOX REQUIRED, 3.5" DEEP, NO EXTRUDED BOX
- COUNTERSINK MOUNTING HOLES FOR #10-32 TAMPERPROOF SCREW