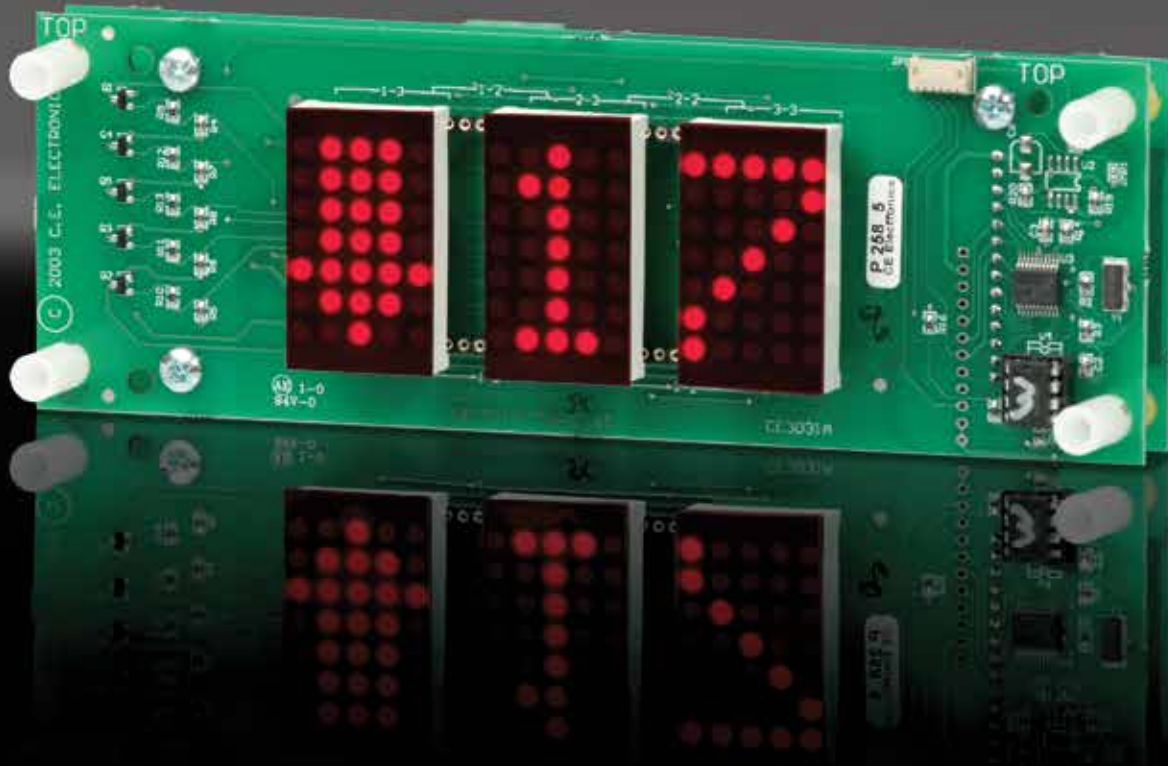


# > DH310-XXXXX

## DOT MATRIX LED DIGITAL INDICATOR



# DOT MATRIX

1" CHARACTERS

Dot matrix LED digital indicator for floor position display, as well as car direction, if desired. Any alphanumeric or custom character can be displayed in either single digit with separate "UP" and "DOWN" arrows. Double digit with single "UP/DOWN" arrow, or triple digit floor designations.

### TYPICAL APPLICATIONS:

- > Car-OP Panel
- > Transom-car or Hall

### FEATURES:

- > Low cost design
- > Self contained unit
- > Latched input
- > Self testing
- > Scrolling
- > Passing chime output
- > Error detection and correction feature
- > UL listed

### METAL:

- > 70100002



**C.E. Electronics, Inc.**  
C.E. Electronics, Ltd.  
International Lift Equipment (ILE)

2107 Industrial Drive Bryan, OH 43506  
Marlow, Bucks, UK  
Highams Park, London, UK

ph: 419.636.6705

ph: +44 (0) 1628 487633  
ph: 0208 527 9669

[www.ceelectronics.com](http://www.ceelectronics.com)

[www.ceelectronics.co.uk](http://www.ceelectronics.co.uk)  
[www.ileweb.com](http://www.ileweb.com)



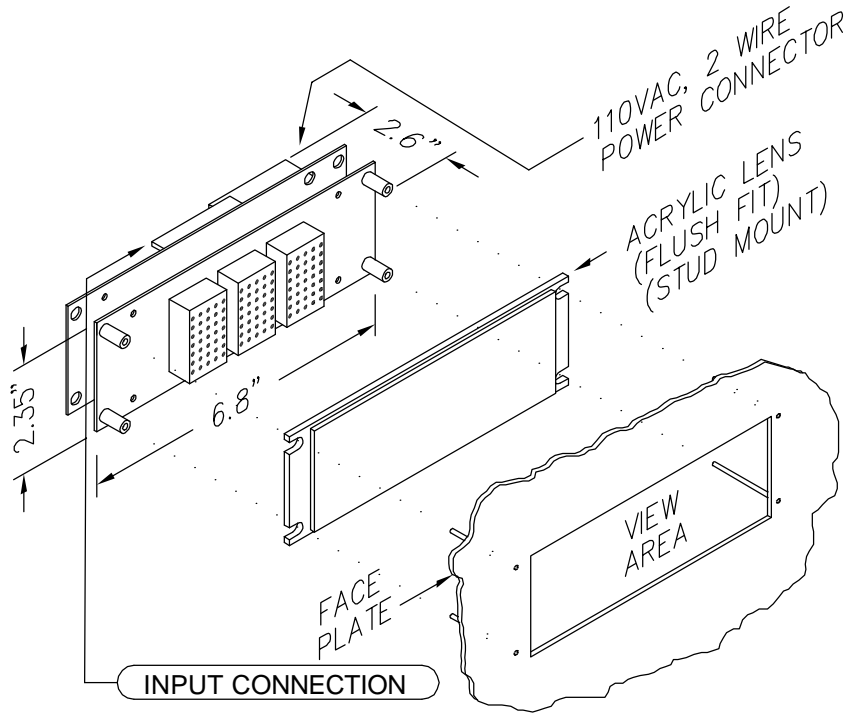


C.E. Electronics, Inc.  
 2107 Industrial Drive  
 Bryan, OH 43506  
 PH (419) 636-6705 FX (419) 636-2516  
 www.ceelectronics.com

# DH310-XXXXX

Ver. 5 Rel. 04/28/10

COMPETITOR  
 DOT MATRIX



8' CABLE SUPPLIED WITH PLUG-IN  
 CONNECTOR SUPPLIED

### RENEWAL PARTS

- Lens: 104-5575 RED
- Lens: 104-6075 GRAY
- Lens: 104-9075 BLUE

### DOT MATRIX LED DIGITAL INDICATOR

Dot matrix LED digital indicator for floor position display, as well as car direction, if desired. Any alphanumeric or custom character can be displayed in either single digit with separate "UP" and "DOWN" arrows. Double digit with single "UP/DOWN" arrow, or triple digit floor designations.

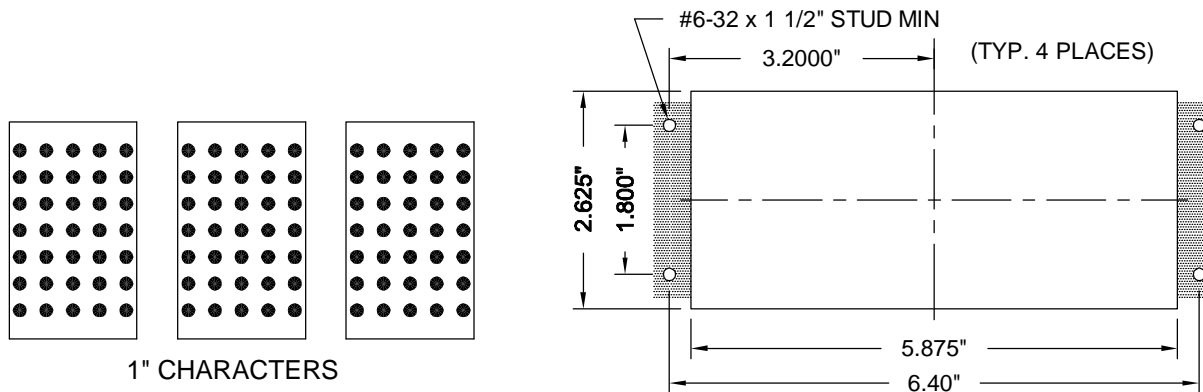
#### Typical Applications

- Car-OP Panel
- Transom-car or Hall

#### Features

- Low cost design
- Self contained unit
- Latched input
- Self testing
- Scrolling
- Passing chime output
- Error detection and correction feature
- UL listed

### PANEL PREPARATION



1" CHARACTERS

CUTOUT TOLERANCE: +.020  
 - 0.0

### TO ORDER:-SPECIFY DH310 - X X X X X

COLOR:  
 "0" = MIXED  
 "R" = RED  
 "A" = AMBER  
 "G" = GREEN  
 "B" = BLUE \*

NUMBER OF INPUTS:  
 "0" = 16 INPUT OR LESS  
 "1" = 31 INPUT  
 "M" = MICRO COMM \*

LENS:  
 "R" = RED  
 "G" = GRAY  
 "B" = BLUE  
 "X" = NO LENS

SIGNAL FORMAT:  
 "1" = SINGLE LINE/FLOOR  
 "2" = BINARY  
 "3" = UNITS & TENS  
 "4" = GRAY CODE  
 "5" = INVERTED BINARY  
 "6" = SPECIAL  
 "X" = IF MICRO COMM

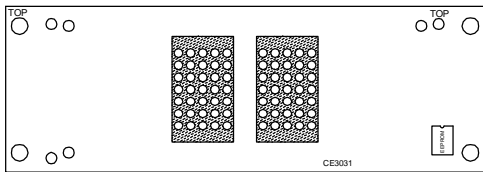
SIGNAL VOLTAGE:  
 "A" = POSITIVE 6-20VDC, 6-24VAC  
 "B" = POSITIVE 24-48VDC, 24-48VAC  
 "C" = 120VAC  
 "D" = POSITIVE 125VDC  
 "E" = NEGATIVE 6-20VDC  
 "F" = NEGATIVE 24-48VDC  
 "G" = NEGATIVE 125VDC  
 "X" = IF MICRO COMM

#### NOTE:

1. If a special voltage is required, please consult factory.
2. \* 110VAC not required for power supply on Micro Comm units
3. \* Blue can not be mixed with other colors

# DH210/310-XM

JOB# \_\_\_\_\_



DISPLAY BOARD# \_\_\_\_\_

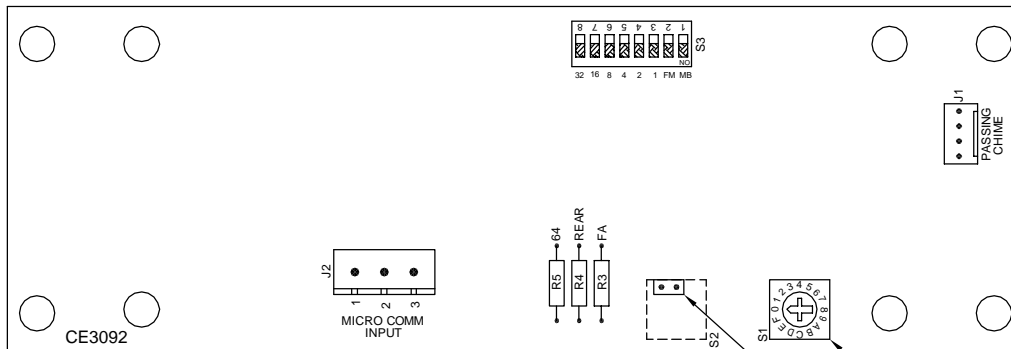
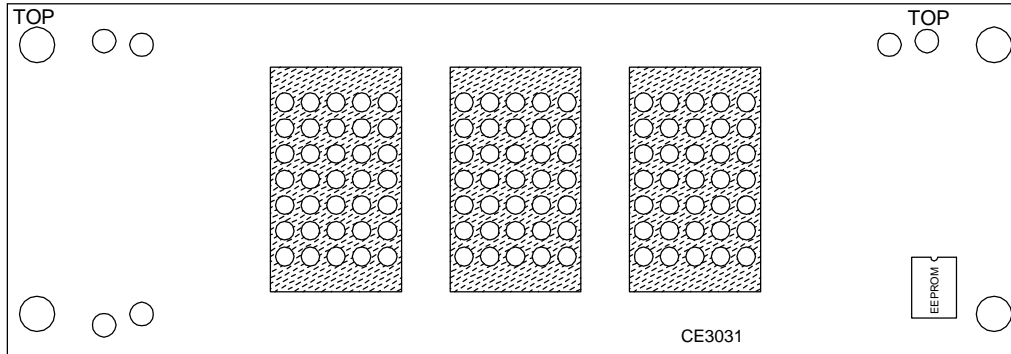
CODE VERSION \_\_\_\_\_

FLOORS: \_\_\_\_\_

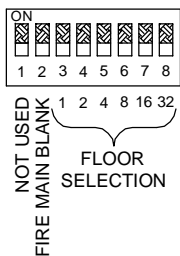
ROTARY SWITCH S1 \_\_\_\_\_

DRIVER BOARD# \_\_\_\_\_

CODE VERSION \_\_\_\_\_



## S3 DIP SWITCH DETAIL



ROLL RATE ADJUSTMENT  
SELF-TEST JACK

To SELF-TEST display unit, short the two pins on the S2 header and release. NOTE: If S2 is a rotary switch, set it to "F" and back to 0 to self-test.

DIP switch 1 (MB) has no function with this unit.

The Micro Comm driver must be programmed to send messages with the level required to activate the features listed below.

- To blank the display during a fire main (level three) message, turn on DIP switch 2 (FM).
- To blank the display during a fire alternate (level two) message, remove resistor R3 (FA) from the board.
- Do not program a floor value for Floor 63 if the Fire Blanking feature is required.

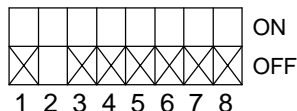
DIP switches 3-8 off is an all call using travel signals. DIP switches 3-8 on and resistor R5 (64) removed is an all call using arrival signals.

The floor address switches setup the display arrows as arrival (hall) arrows. Refer to the "S3 DIP SWITCH DETAIL" and turn on the floor address switches whose value adds up to the desired floor. For example, to display the arrows only when the unit is at floor 19, turn on switches 3, 4, and 7 (values 1, 2, and 16: 1+2+16=19). The Micro Comm driver must be set up to send arrival information.

To operate this unit as a rear lantern, remove resistor R4 (REAR) from the board. NOTE: The Micro Comm driver must be sending the MC2000 data stream to use this feature. Call Tech Support at 419-636-6705 for more information.

NOTE: MUST BE USED WITH A CLASS 2 POWER SUPPLY.

## S3 DEFAULT SETTINGS



DATE DRAWN: 07/11/05	DRAWN BY: DAC	REQUESTED BY: DV	C.E. ELECTRONICS, INC. 2107 Industrial Drive Bryan, Ohio 43006 (419) 636-6705
BOARD NUMBER: 3092, 3031	LAST DATE REVISED: -	APPROVED BY:	
PRODUCT: DH210/310-XM MICRO COMM DOT MATRIX			
DWG. NO.: DHX10-XM_01			

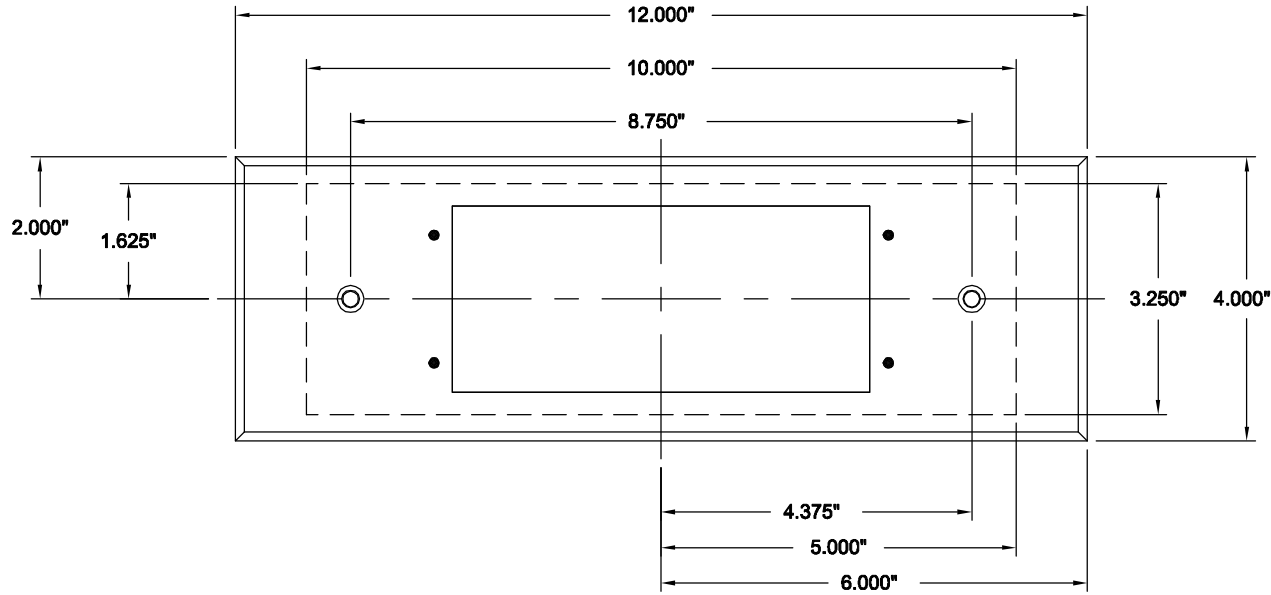


C.E. Electronics, Inc.  
 2107 Industrial Drive  
 Bryan, OH 43506  
 PH (419) 636-6705 FX (419) 636-2516  
 www.cееlectronics.com

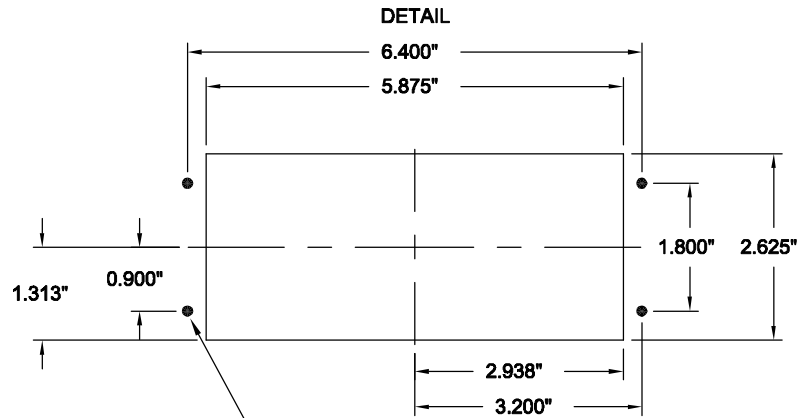
# 70100002

Ver. 1 Rel. 06/18/03

**METAL**



**COVERPLATE / BOX FOR 2 or 3 DIGIT  
 1" OR 2" DOT MATRIX DISPLAY**



**#6-32 x 1 3/4" STUD MIN (TYP. 4 PLACES)**

**NOTES:**

- #4 STAINLESS STEEL, .125"
- HORIZONTAL GRAIN
- BEVELED EDGES - APPROXIMATELY 15°
- GALVANIZED BOX REQUIRED, 3.5" DEEP, NO EXTRUDED BOX
- COUNTERSINK MOUNTING HOLES FOR #10-32 TAMPERPROOF SCREW