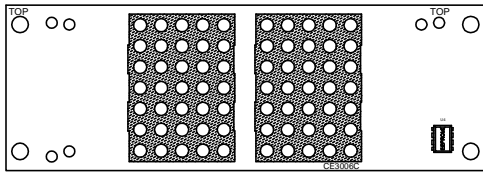


# DH220/320-XM

JOB# \_\_\_\_\_



DISPLAY BOARD# \_\_\_\_\_

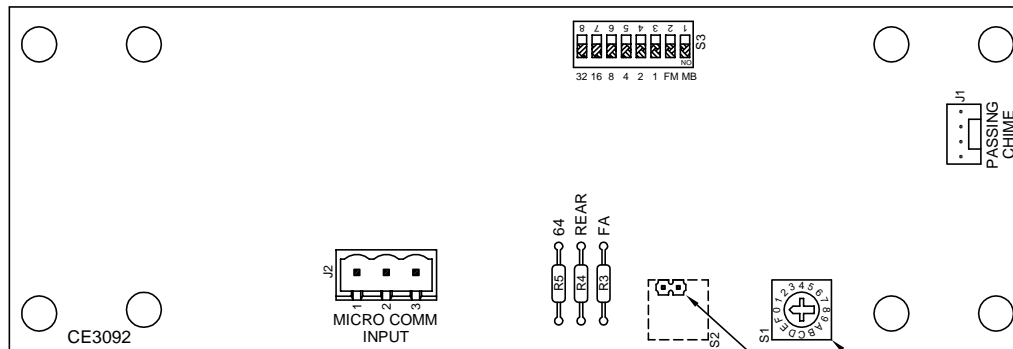
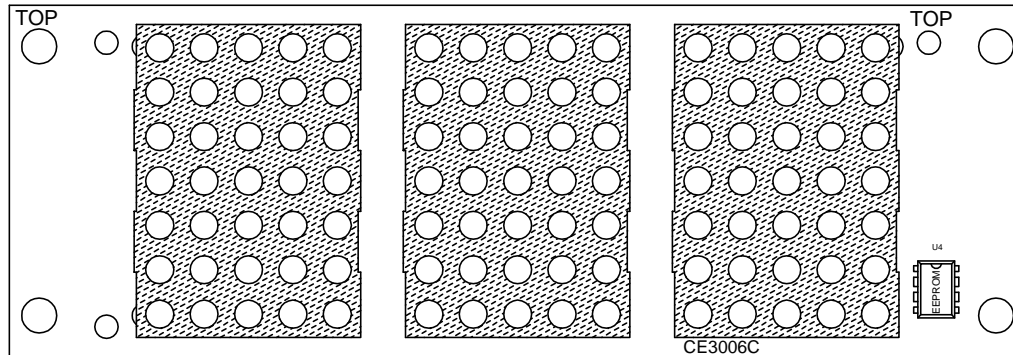
CODE VERSION \_\_\_\_\_

FLOORS: \_\_\_\_\_

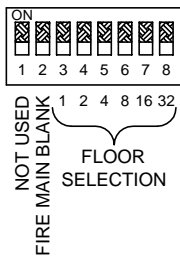
ROTARY SWITCH S1 \_\_\_\_\_

DRIVER BOARD# \_\_\_\_\_

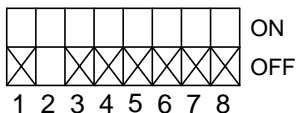
CODE VERSION \_\_\_\_\_



## S3 DIP SWITCH DETAIL



## S3 DEFAULT SETTINGS



To SELF-TEST display unit, short the two pins on the S2 header and release. NOTE: If S2 is a rotary switch, set it to "F" and back to 0 to self-test.

DIP switch 1 (MB) has no function with this unit.

The Micro Comm driver must be programmed to send messages with the level required to activate the features listed below.

- To blank the display during a fire main (level three) message, turn on DIP switch 2 (FM).
- To blank the display during a fire alternate (level two) message, remove resistor R3 (FA) from the board.
- Do not program a floor value for Floor 63 if the Fire Blanking feature is required.

DIP switches 3-8 off is an all call using travel signals. DIP switches 3-8 on and resistor R5 (64) removed is an all call using arrival signals.

The floor address switches setup the display arrows as arrival (hall) arrows. Refer to the "S3 DIP SWITCH DETAIL" and turn on the floor address switches whose value adds up to the desired floor. For example, to display the arrows only when the unit is at floor 19, turn on switches 3, 4, and 7 (values 1, 2, and 16: 1+2+16=19). The Micro Comm driver must be set up to send arrival information.

To operate this unit as a rear lantern, remove resistor R4 (REAR) from the board. NOTE: The Micro Comm driver must be sending the MC2000 data stream to use this feature. Call Tech Support at 419-636-6705 for more information.

NOTE: MUST BE USED WITH A CLASS 2 POWER SUPPLY.

DATE DRAWN: 07/08/05	DRAWN BY: DAC	REQUESTED BY: DV	 C.E. ELECTRONICS, INC. 2107 Industrial Drive Bryan, Ohio 43506 (419) 636-6705
BOARD NUMBER: 3092_3006	LAST DATE REVISED: 09/21/10	APPROVED BY:	
PRODUCT DH220/320-XM MICRO COMM DOT MATRIX			
DWG. NO. DHX20-XM 01			REV. A