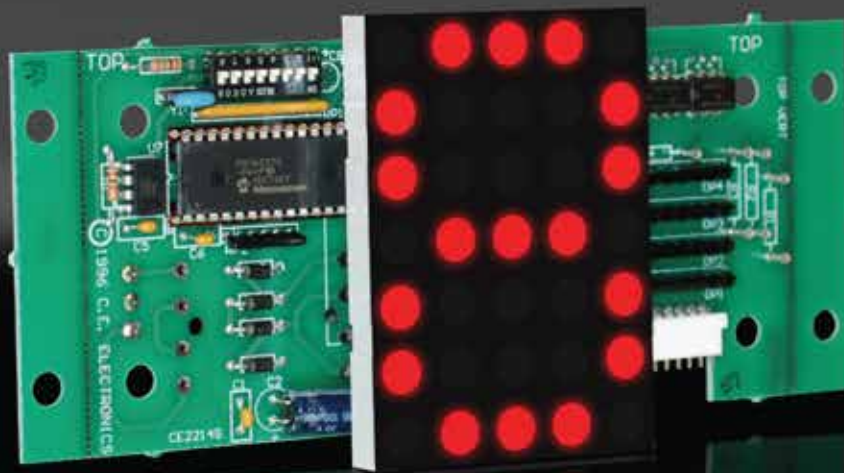




DH1 30-ROXXX

DOT MATRIX LED DIGITAL INDICATOR



DOT MATRIX

3" CHARACTER

Dot matrix LED digital indicator for floor position display. Any alphanumeric or custom character can be displayed.

TYPICAL APPLICATIONS:

- > Car-OP Panel
- > Transom-car or Hall

FEATURES:

- > Low cost design
- > Self contained unit
- > Latched input
- > Self testing
- > 13 inputs
- > Passing chime output
- > Error detection and correction feature
- > UL listed



C.E. Electronics, Inc.
C.E. Electronics, Ltd.
International Lift Equipment (ILE)

2107 Industrial Drive Bryan, OH 43506
Marlow, Bucks, UK
Highams Park, London, UK

ph: 419.636.6705

ph: +44 (0) 1628 487633
ph: 0208 527 9669

www.ceelectronics.com

www.ceelectronics.co.uk
www.ileweb.com



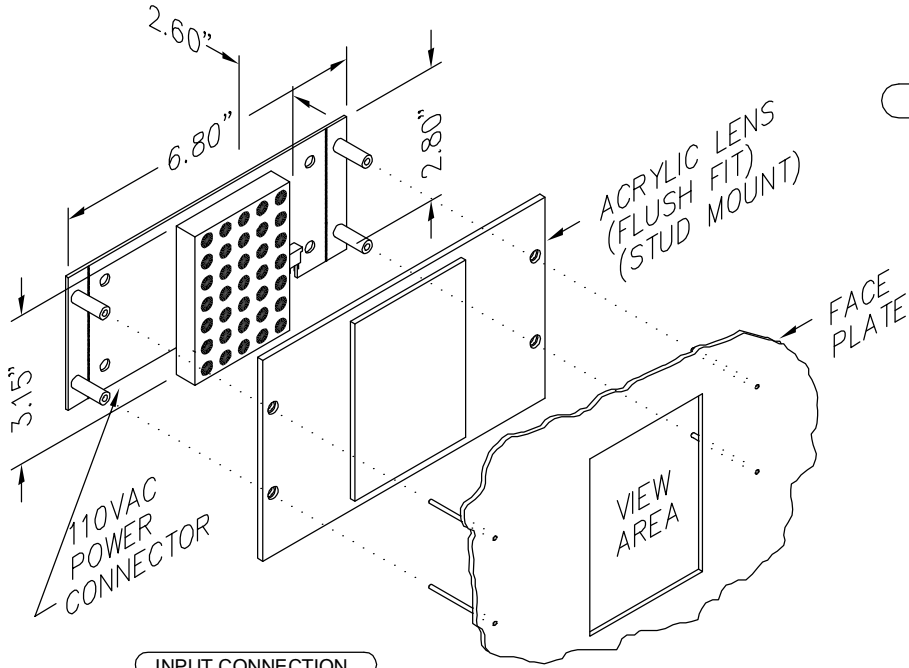


C.E. Electronics, Inc.
 2107 Industrial Drive
 Bryan, OH 43506
 PH (419) 636-6705 FX (419) 636-2516
 www.ceelectronics.com

DH130-R0XXX

Ver. 2 Rel. 11/03/08

COMPETITOR
 DOT MATRIX



RENEWAL PARTS

Lens: 104-5576 RED

DOT MATRIX LED DIGITAL INDICATOR

Dot matrix LED digital indicator for floor position display. Any alphanumeric or custom character can be displayed.

Typical Applications

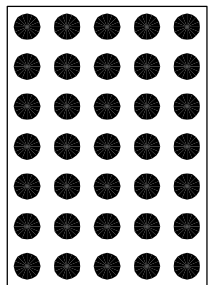
- Car-OP Panel
- Transom-car or Hall

Features

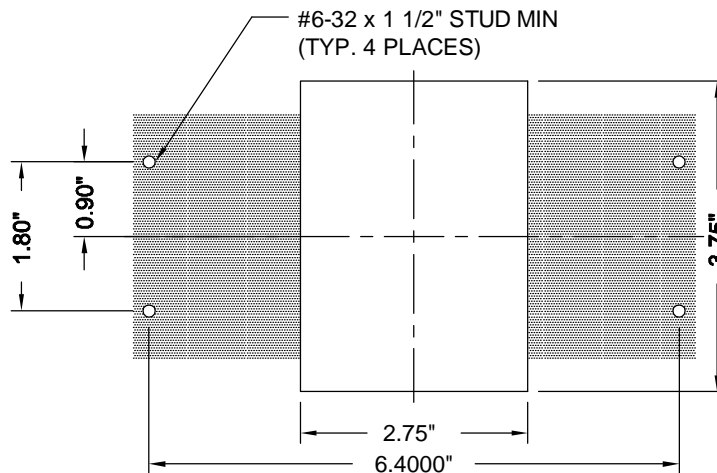
- Low cost design
- Self contained unit
- Latched input
- Self testing
- 13 inputs
- Passing chime output
- Error detection and correction feature
- UL listed

8' CABLE SUPPLIED WITH PLUG-IN CONNECTOR SUPPLIED

PANEL PREPARATION



3" CHARACTER



CUTOUT TOLERANCE: +.020
 -0.0

TO ORDER:-SPECIFY DH130 - R 0 X X X

COLOR:
 "R" = RED

NUMBER OF INPUTS:
 "0" = 13 INPUT OR LESS

SIGNAL VOLTAGE:
 "A" = POSITIVE 6-20VDC, 6-24VAC
 "B" = POSITIVE 24-48VDC, 24-48VAC
 "C" = 120VAC
 "D" = POSITIVE 125VDC
 "E" = NEGATIVE 6-20VDC
 "F" = NEGATIVE 24-48VDC
 "G" = NEGATIVE 125VDC

LENS:
 "R" = RED
 "X" = NO LENS

SIGNAL FORMAT:
 "1" = SINGLE LINE/FLOOR
 "2" = BINARY
 "3" = UNITS & TENS
 "4" = GRAY CODE
 "5" = INVERTED BINARY
 "6" = SPECIAL

NOTE:

1. If a special voltage is required, please consult factory.